

SKIL®

LINE TRIMMER 0730 (F0150730..)



GB	ORIGINAL INSTRUCTIONS	6	UA	ОРИГІНАЛЬНА ІНСТРУКЦІЯ З ЕКСПЛУАТАЦІЇ	58
F	NOTICE ORIGINALE	9	GR	ΠΡΩΤΟΤΥΠΟ ΟΔΗΓΙΩΝ ΧΡΗΣΗΣ	61
D	ORIGINALBETRIEBSANLEITUNG	12	RO	INSTRUCȚIUNI DE FOLOSIRE ORIGINALE	65
NL	ORIGINELE GEBRUIKSAANWIJZING	15	BG	ОРИГИНАЛНО РЪКОВОДСТВО ЗА ЕКСПЛОАТАЦИЯ	68
S	BRUKSANVISNING I ORIGINAL	19	SK	PŔOVODNÝ NÁVOD NA POUŽITIE	72
DK	ORIGINAL BRUGSANVISNING	22	HR	ORIGINALNE UPUTE ZA RAD	75
N	ORIGINAL BRUKSANVISNING	25	SRB	ORIGINALNO UPUTSTVO ZA RAD	78
FIN	ALKUPERÄISET OHJEET	28	SLO	IZVIRNA NAVODILA	81
E	MANUAL ORIGINAL	31	EST	ALGUPÄRANE KASUTUSJUHEND	84
P	MANUAL ORIGINAL	34	LV	ORIĢINĀLĀ LIETOŠANAS PAMĀCĪBA	87
I	ISTRUZIONI ORIGINALI	38	LT	ORIGINALI INSTRUKCIJA	90
H	EREDETI HASZNÁLATI UTASÍTÁS	41	MK	ИЗБОРНО УПАТСТВО ЗА РАБОТА	93
CZ	PŔVODNÍM NÁVODEM K POUŽÍVÁNÍ	44	AL	UDHËZIMET ORIGINALE	97
TR	ORİJİNAL İŞLETME TALİMATI	47	AR	دليل الاستعمال	107
PL	INSTRUKCJA ORYGINALNA	51	FA	راهنمای اصلی	105
RU	ПОДЛИННИК РУКОВОДСТВА ПО ЭКСПЛУАТАЦИИ	54			

www.skil.com



1 0730

250
Watt

n_0
12000
/min

2,6 kg
EPTA 01/2003

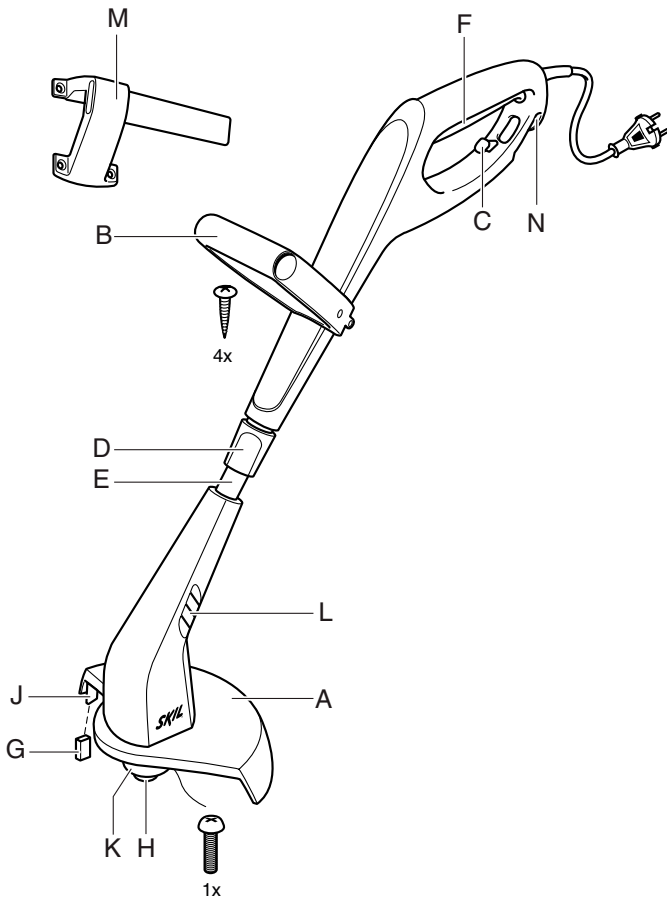
25 cm

5 m

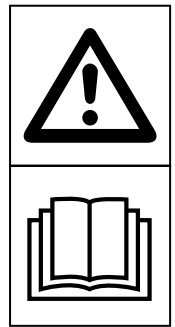
1,2 mm

230
-
240
V~
50-60 Hz

2



3

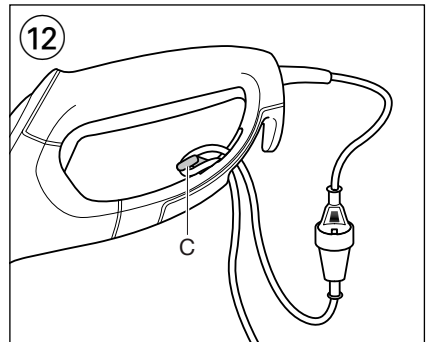
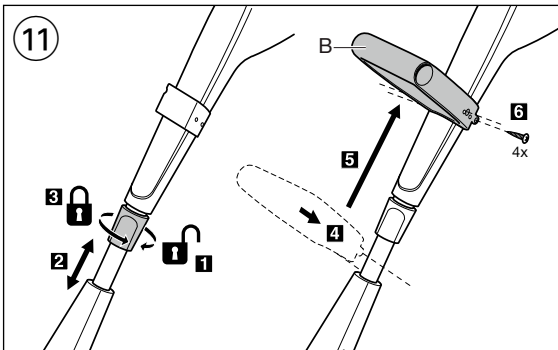
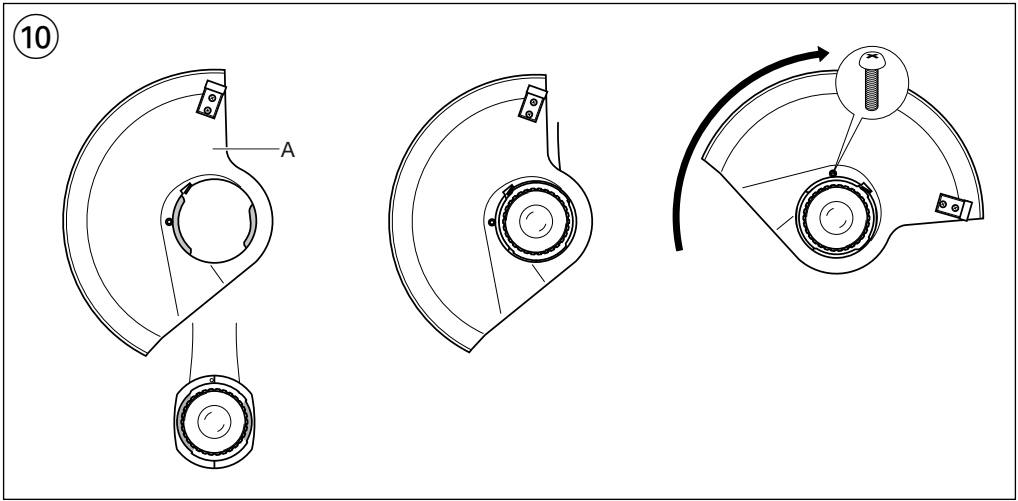
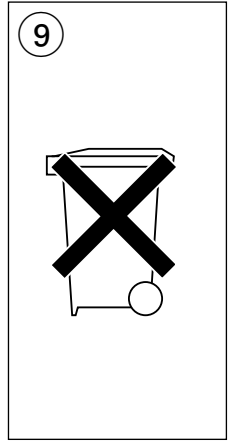
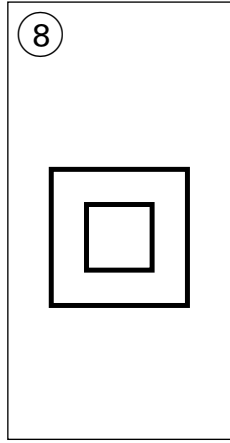
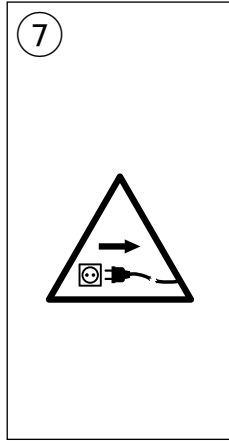


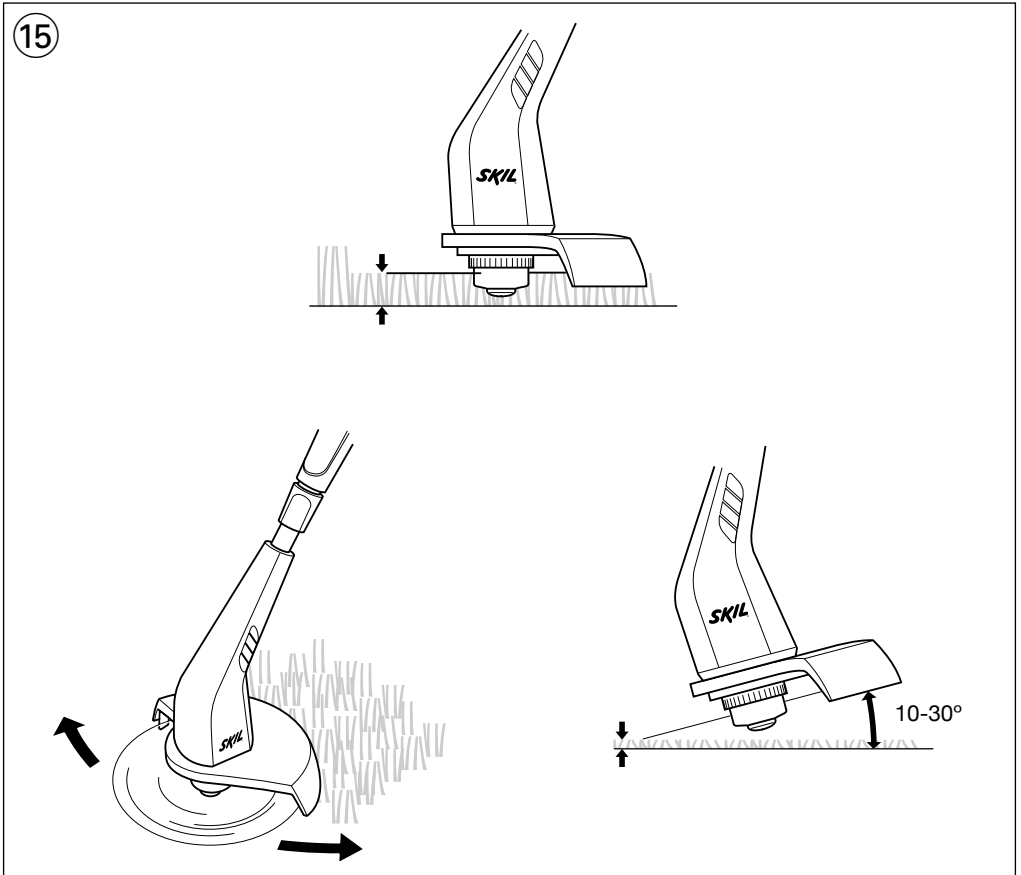
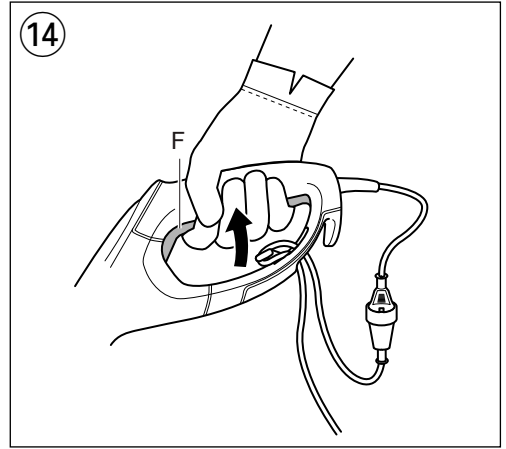
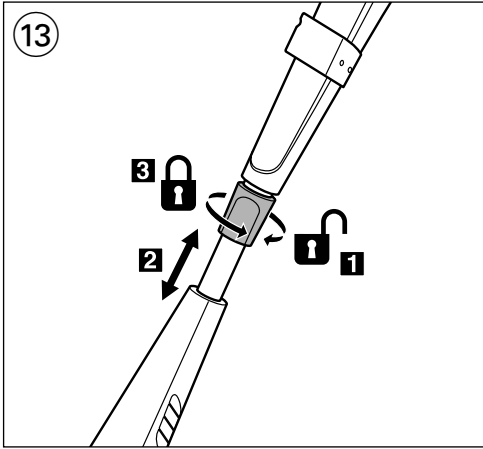
4

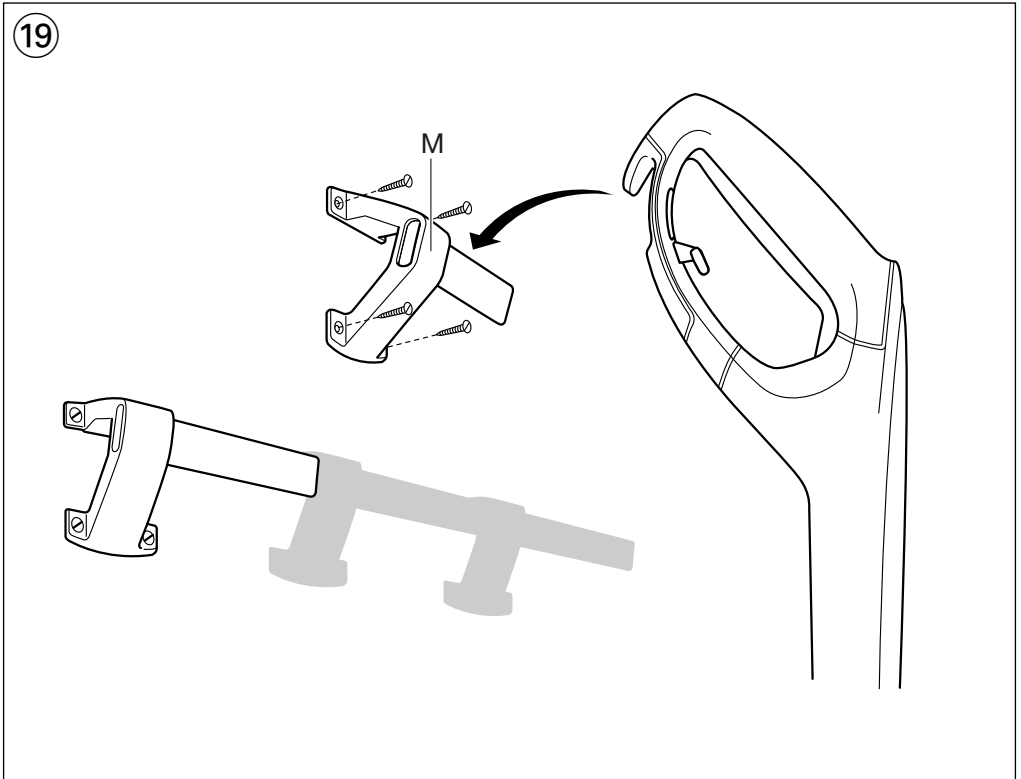
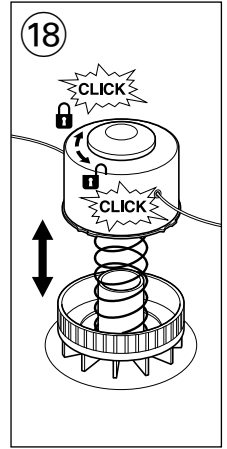
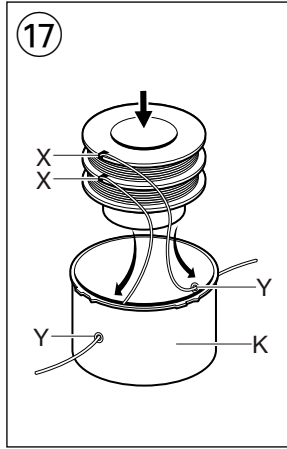
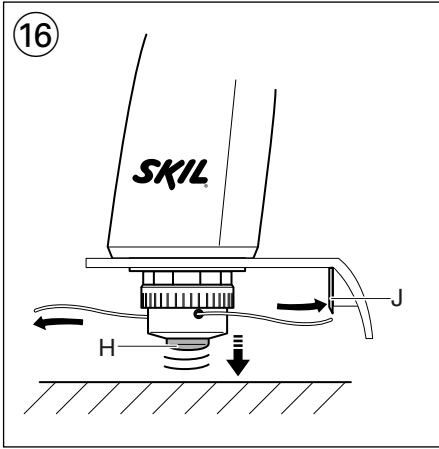


5









Line trimmer

0730

INTRODUCTION

- This tool is intended for the cutting of grass and weeds under bushes as well as on slopes and edges that can not be reached with a lawn mower
- This tool is not intended for professional use
- Check whether the packaging contains all parts as illustrated in drawing ②
- When parts are missing or damaged, please contact your dealer
- **Read this instruction manual carefully before use and save it for future reference** ③
- **Pay special attention to the safety instructions and warnings; failure to follow these may result in serious injury**

TECHNICAL DATA ①

TOOL ELEMENTS ②

- A Cutting guard
- B Guide handle
- C Cord restraint
- D Locking sleeve
- E Telescopic tube
- F Trigger switch
- G Cutting blade cover
- H Button for line feeding
- J Line cutting blade
- K Spool cap
- L Ventilation slots
- M Storage rail (**screws not supplied**)
- N Storage hook

SAFETY

SPECIFIC SAFETY INSTRUCTIONS FOR LINE TRIMMERS

GENERAL

- Be familiar with the controls and the proper use of the tool
- The user is responsible for accidents or hazards occurring to other people or their property
- Only use the tool when the ambient temperature is between 0°C and 40°C
- Never mount metal cutting elements onto this tool

PERSONAL SAFETY

- This tool is not intended for use by persons (including children) with reduced physical, sensory or mental capabilities, or lack of experience and knowledge, unless they have been given supervision or instruction concerning use of the tool by a person responsible for their safety
- Ensure that children do not play with the tool
- Never allow children or people who are not familiar with the operating instructions to use the tool
- **Keep your fingers away from the line cutting blade integrated in the cutting guard**

- Keep hands and feet away from the cutting lines while trimming, especially when switching on the tool
- Always wear eye protection, long trousers and sturdy shoes when operating the tool
- Never operate the tool in the direct vicinity of persons; stop using the tool when persons (especially children) or pets are nearby
- Never operate the tool when you are tired, sick or under the influence of alcohol or other drugs

ELECTRICAL SAFETY

- Always check that the supply voltage is the same as the voltage indicated on the nameplate of the tool (tools with a rating of 230V or 240V can also be connected to a 220V supply)
- Inspect the cord periodically and have it replaced by a qualified person, if damaged
- Inspect the extension cord periodically and replace it, if damaged (**inadequate extension cords can be dangerous**)
- Only use an extension cord which is intended for outdoor use and equipped with a watertight plug and coupling-socket
- Use completely unrolled and safe extension cords with a capacity of 16 Amps (U.K. 13 Amps)
- When operating the tool use a residual current device (RCD) with a triggering current of 30 mA maximum
- Do not run over, crush or pull the (extension) cord
- Protect the (extension) cord from heat, oil and sharp edges
- **Keep the (extension) cord away from the rotating cutting lines**
- Always switch off tool and disconnect plug from power source if the power supply cord or the extension cord is cut, damaged or entangled (**do not touch the cord before disconnecting the plug**)

BEFORE USE

- Only use the tool in daylight or with appropriate artificial lighting
- Check the functioning of the tool before each use and after any impact; in case of a defect, have it repaired immediately by a qualified person (never open the tool yourself)
- Before use, thoroughly inspect the cutting area and remove any object that the tool may sling during cutting (such as stones, loose pieces of wood, etc.)

DURING USE

- Never use the tool when cord is damaged; have it replaced by a qualified person
- Never operate the tool with a damaged cutting guard or without the cutting guard mounted
- **The cutting lines continue to rotate for a short time after the tool is switched off**
- Do not cut grass which is not on the ground (e.g. on walls or rocks)
- Do not cross roads or gravel paths with the tool still running
- Do not get distracted and always concentrate on what you are doing
- Always disconnect plug from power source
 - whenever leaving the tool unattended
 - before clearing jammed material
 - before checking, cleaning or working on the tool

- after striking a foreign object
- whenever the tool starts vibrating abnormally
- Always ensure that the ventilation openings are kept clear of debris

AFTER USE

- **Always switch off tool and disconnect plug from power source before making adjustments, changing spools, cleaning or leaving the tool unattended for any period**
- Store the tool **indoors** in a dry and locked-up place, out of reach of children

EXPLANATION OF SYMBOLS ON TOOL

- ③ **Warning!** Read the instruction manual
- ④ Do not expose tool to rain
- ⑤ Wear protective glasses
- ⑥ **Pay attention to the risk of injury caused by flying debris** (keep bystanders a safe distance away from work area)
- ⑦ Immediately disconnect the plug if the (extension) cord is damaged or cut through while working
- ⑧ Double insulation (no earth wire required)

WHEN CONNECTING NEW 3-PIN PLUG (U.K. ONLY):

- If for any reason the old plug is cut off the cord of this tool, it must be disposed of safely and not left unattended
- Do not connect the blue (= neutral) or brown (= live) wire in the cord of this tool to the earth terminal of the plug

USE

- Cutting guard ⑩
 - mount cutting guard A as illustrated with round head screw supplied
 - ! never use the tool without cutting guard A**
- Mounting/adjusting guide handle ⑪
 - mount guide handle B as illustrated with 4 screws supplied
 - ! firmly tighten all 4 screws**
- Cord restraint ⑫
 - hook the loop in the extension cord over restraint C as illustrated
 - pull tight to secure the extension cord
- Height adjustment ⑬

For adjusting the tool height so that your front arm is straight when trimming

 - loosen locking sleeve D ② by turning it clockwise
 - extend tube E ② to the desired height
 - tighten locking sleeve D ② by turning it counter-clockwise
- On/off ⑭
 - switch on tool by pressing trigger switch F
 - switch off tool by releasing trigger switch F
 - ! after switching off the tool the cutting lines continue to rotate for a few seconds**
 - allow the cutting lines to stop rotating before switching on again
 - ! do not rapidly switch on and off**
- Trimming
 - ! ensure that the red cover G ② is removed from the line cutting blade before using the tool**
 - ! ensure that the cutting area is free of stones, debris and other foreign objects**
 - ! start trimming only when tool runs at full speed**

- start trimming near the mains socket and move away while working
- cut long grass in layers (always start from the top)
- only trim with the tip of the cutting line
- do not cut damp or wet grass
- prevent the cut grass from clogging the spool (do not make heavy cuts)
- do not overload the tool
- carefully cut around trees and bushes, so that they do not come into contact with the cutting lines
- keep the tool away from solid objects in order to protect the cutting lines against excessive wear
- be aware of the kickback forces that occur when solid objects are touched
- Holding and guiding the tool ⑮
 - for cutting long grass slowly swing the tool from right to left and vice versa
 - for cutting shorter grass tilt the tool as illustrated
 - turn the tool 180° for trimming edges
 - hold tool firmly with both hands, so you will have full control of the tool at all times
 - maintain a stable working position
 - always hold the tool well away from your body
- Line feeding ⑯
 - tap button H lightly on the ground (preferably on a solid surface) while the motor is running
 - two cutting lines will be released and cut off to the correct length by line cutting blade J
 - ! ensure that the red cover G ② is removed from the line cutting blade before using the tool**
 - ! take care against injury from line cutting blade J**
 - after line feeding always return the tool to its normal operating position before switching on
 - feed the lines regularly to maintain full cutting circle
 - when the motor runs without load and no grass is cut, the cutting lines are worn or broken; rewind the spool or replace the spool system
- Rewinding spool ⑰

In case the cutting lines fail to protrude from spool cap K

 - ! switch off the tool and disconnect the plug**
 - remove spool system from tool and take out spool from spool cap K
 - tightly rewind both cutting lines evenly in layers in arrow direction
 - insert both lines into spool slots X and ensure that they are securely in place (leave sufficient length of line)
 - thread both lines through spool holes Y before placing the rewound spool into spool cap K
 - ! ensure that the spool is located securely in place, then release both lines from slots X by pulling them firmly**
 - mount spool system onto tool (**turn spool clockwise until it clicks into place**) ⑱
- Replacing spool system ⑲
 - ! switch off the tool and disconnect the plug**
 - simply remove/mount old/new spool system as illustrated
 - only use SKIL spool system 2610Z01354 with this tool (**damage due to using other spool systems will be excluded from the warranty**)

- after replacing the spool system test-run the tool for at least one minute without load to ensure that the tool is operating properly

MAINTENANCE / SERVICE

- This tool is not intended for professional use
- **Always disconnect plug from power source before cleaning and/or maintenance**
- Always keep tool and cord clean (especially the ventilation slots)
 - clean the tool with a damp cloth (do not use cleaning agents or solvents)
 - clean line cutting blade J ② and cutting guard A ② after each use
 - clean ventilation slots L ② regularly with a brush or compressed air
- Regularly check the condition of the cutting head and the tightness of nuts, bolts and screws
- Regularly check for worn or damaged components and have them repaired/replaced when necessary
- Storage ⑱
 - store the tool **indoors** in a dry and locked-up place, out of reach of children
 - securely mount storage rail M on the wall with 4 screws (**not supplied**) and horizontally leveled
- If the tool should fail despite the care taken in manufacturing and testing procedures, repair should be carried out by an after-sales service centre for SKIL power tools
 - send the tool **undismantled** together with proof of purchase to your dealer or the nearest SKIL service station (addresses as well as the service diagram of the tool are listed on www.skil.com)

TROUBLESHOOTING

- The following listing shows problem symptoms, possible causes and corrective actions (if these do not identify and correct the problem, contact your dealer or service station)
 - ! **switch off the tool and disconnect the plug before investigating the problem**
- ★ Tool does not operate
 - power supply socket faulty -> use another socket
 - extension cord damaged -> replace extension cord
- ★ Tool operates intermittently
 - internal wiring defective -> contact dealer/service station
 - on/off switch defective -> contact dealer/service station
- ★ Tool vibrates abnormally
 - grass too high -> cut in stages
- ★ Tool does not cut
 - line too short/broken off -> feed the line manually
- ★ Line cannot be fed
 - spool empty -> replace spool
 - line entangled inside spool -> inspect spool; rewind if necessary
- ★ Line is not cut off to correct length -> remove cover from cutting blade
- ★ Line keeps breaking
 - line entangled inside spool -> inspect spool; rewind if necessary

- trimmer incorrectly used -> only trim with the tip of the line; avoid stones, walls and other hard objects; feed the line regularly

ENVIRONMENT

- **Do not dispose of electric tools, accessories and packaging together with household waste material** (only for EU countries)
 - in observance of European Directive 2012/19/EC on waste of electric and electronic equipment and its implementation in accordance with national law, electric tools that have reached the end of their life must be collected separately and returned to an environmentally compatible recycling facility
 - symbol ⑨ will remind you of this when the need for disposing occurs

DECLARATION OF CONFORMITY CE

- We declare under our sole responsibility that the product described under "Technical data" is in conformity with the following standards or standardization documents: EN 60335, EN 61000, EN 55014 in accordance with the provisions of the directives 2006/95/EC, 2004/108/EC, 2006/42/EC, 2000/14/EC, 2011/65/EU
- **Technical file at:** SKIL Europe BV (PT-SEU/ENG1), 4825 BD Breda, NL

Marijn van der Hoofden
Operations & Engineering

Olaf Dijkgraaf
Approval Manager

SKIL Europe BV, 4825 BD Breda, NL

19.12.2013

CE10

NOISE/VIBRATION

- Measured in accordance with EN 60335 the sound pressure level of this tool is 70 dB(A) and the sound power level 90 dB(A) (standard deviation: 3 dB), and the vibration <math> < 2.5 \text{ m/s}^2 </math> (hand-arm method; uncertainty K = 1.5 m/s²)
- Measured in accordance with 2000/14/EC (EN/ISO 3744) the guaranteed sound power level LWA is lower than 93 dB(A) (conformity assessment procedure according to Annex VI)
Notified body : KEMA, Arnhem, NL
Notified body identification number : 0344
- The vibration emission level has been measured in accordance with a standardised test given in EN 60335; it may be used to compare one tool with another and as a preliminary assessment of exposure to vibration when using the tool for the applications mentioned
 - using the tool for different applications, or with different or poorly maintained accessories, may significantly **increase** the exposure level
 - the times when the tool is switched off or when it is running but not actually doing the job, may significantly **reduce** the exposure level

! protect yourself against the effects of vibration by maintaining the tool and its accessories, keeping your hands warm, and organizing your work patterns

F

Coupe-bordures

0730

INTRODUCTION

- Cet outil est destiné à couper les herbes et mauvaises herbes sous les buissons ainsi que sur les pentes et les bordures qui ne peuvent être atteintes avec une tondeuse
- Cet outil n'est conçu pour un usage professionnel
- Vérifiez le conditionnement contient toutes les pièces présentées dans le schéma ②
- Lorsque des pièces manquent ou sont endommagées, veuillez contacter votre distributeur
- **Lisez attentivement ce manuel d'instruction avant d'utiliser l'outil et conservez-le pour pouvoir vous y référer ultérieurement** ③
- **Prêtez attention aux consignes de sécurité et aux avertissements; ne pas suivre ces instructions peut entraîner des graves blessures**

CARACTERISTIQUES TECHNIQUES ①

ELEMENTS DE L'OUTIL ②

- A Protection de coupe
- B Poignée de guide
- C Dispositif d'immobilisation du cordon d'alimentation
- D Douille de verrouillage
- E Tube télescopique
- F Gâchette
- G Cache-lame de coupe
- H Bouton pour l'alimentation du fil
- J Lame de coupe du fil
- K Flasque de la bobine
- L Fentes de ventilation
- M Rail de rangement (**vis non fournies**)
- N Crochet de rangement

SECURITE

INSTRUCTIONS SPECIFIQUES DE SECURITE RELATIVES AUX COUPE-BORDURES

GENERALITES

- Familiarisez-vous avec les commandes et le bon fonctionnement de l'outil
- L'utilisateur est responsable des accidents ou dangers qu'encourent d'autres personnes ou leurs biens
- Utilisez uniquement l'outil lorsque la température ambiante est située entre 0°C et 40°C
- Ne montez jamais d'éléments de coupe métalliques sur cet outil

SECURITE DES PERSONNES

- Cet outil n'a pas été conçu pour être utilisé par des personnes (y compris des enfants) dont les capacités physiques, sensorielles ou mentales sont réduites, ou

manquant d'expérience ou de connaissances, excepté si elles ont fait l'objet d'une surveillance ou ont reçu des instructions concernant l'utilisation de l'outil par une personne responsable de leur sécurité

- Veillez à ce que les enfants ne jouent pas avec l'outil
- Ne laissez jamais d'enfants ou de personnes ne connaissant pas les instructions de fonctionnement employer l'outil
- **Tenez vos doigts hors de portée de la lame de coupe du fil intégrée dans la protection de coupe**
- Maintenez en permanence les mains et les pieds à distance des fils de coupe lors de la taille, surtout lorsque vous mettez l'outil en marche
- Portez toujours des lunettes de protection, de long pantalon et des chaussures robustes lorsque vous utilisez l'outil
- Ne faites jamais fonctionner l'outil à proximité immédiate de personnes ; arrêtez de l'utiliser lorsque des personnes (surtout des enfants) ou des animaux se trouvent à proximité
- N'utilisez pas cet outil si vous êtes fatigué, malade, sous l'influence de l'alcool ou d'autres drogues.

SECURITE RELATIVE AU SYSTEME ELECTRIQUE

- Contrôlez toujours si la tension secteur correspond à la tension indiquée sur la plaquette signalétique de l'outil (les outils conçus pour une tension de 230V ou 240V peuvent également être branchés sur 220V)
- Contrôlez régulièrement l'état du câble et faites-le remplacer par un technicien qualifié au besoin
- Vérifiez de temps en temps la rallonge et remplacez-la si elle est endommagée (**des allonges inappropriées peuvent être dangereuses**)
- Utilisez uniquement une rallonge spéciale pour l'extérieur et équipée d'une fiche et d'une prise de raccordement étanches
- Utilisez un câble de prolongement complètement déroulé et de bonne qualité d'une capacité de 16 A
- Lors de l'utilisation de l'outil dans des environnements humides, utilisez un interrupteur différentiel avec un courant de réaction de 30 mA maximum
- N'écrasez pas, ne coincez pas et ne tirez pas sur le câble/la rallonge
- Protégez le câble/la rallonge de la chaleur, de l'huile et des arêtes vives
- **Maintenez le câble (de rallonge) à distance des fils de coupe qui tournent**
- Eteignez toujours l'outil et débranchez la fiche de l'alimentation si le câble d'alimentation ou la rallonge est coupé, endommagé ou entremêlé (**ne touchez pas le câble avant de débrancher la fiche**)

AVANT L'USAGE

- N'utilisez l'outil qu'à la lumière du jour ou sous une lumière artificielle appropriée
- Contrôlez le fonctionnement de l'outil avant chaque manipulation et après tout impact ; en cas d'anomalies, faites-le réparer immédiatement par une personne qualifiée (n'ouvrez jamais l'outil vous-même)
- Avant toute utilisation, inspectez soigneusement la zone de coupe et enlevez tout objet que l'outil pourrait projeter lors de la coupe (notamment des pierres, des morceaux de bois détachés, etc.)

PENDANT L'USAGE

- N'utilisez jamais d'outil avec un câble endommagé; faites-le remplacer par un technicien qualifié
- N'utilisez jamais l'outil avec une protection de coupe endommagée ou sans avoir monté cette dernière
- **Les fils de coupe continuent à tourner quelques temps après que l'outil ait été arrêté**
- Ne coupez pas les herbes qui ne sont pas sur le sol (par ex. qui se trouvent sur des murs ou des rochers)
- Ne traversez pas les routes ou les sentiers en gravier si l'outil fonctionne encore
- Ne soyez pas distrait et concentrez-vous toujours sur ce que vous faites
- Débranchez toujours la fiche de l'alimentation
 - lorsque vous laissez l'outil sans surveillance
 - avant d'enlever des matières coincées
 - avant de vérifier, nettoyer ou travailler sur l'outil
 - après avoir heurté un corps étranger
 - chaque fois que l'outil commence à vibrer de façon anormale
- Assurez-vous que les ouvertures prévues pour l'aération soient toujours dégagées d'éventuels débris

APRES L'USAGE

- **Coupez toujours l'outil et débranchez la fiche de la prise avant d'effectuer des réglages, de changer les bobines, de nettoyer ou de laisser l'outil sans surveillance pendant un moment**
- Rangez l'outil à l'intérieur dans un endroit sec et fermer à clé, hors de la portée des enfants

EXPLICATION DES SYMBOLES SUR L'OUTIL

- ③ **Avertissement** ! Lisez le manuel d'instruction
- ④ N'exposez pas l'outil à l'humidité
- ⑤ Utilisez des lunettes de protection
- ⑥ **Soyez attentif au risque de blessures engendré par des particules qui volent en éclat** (tenez les badauds à bonne distance de la zone de travail)
- ⑦ Déconnectez immédiatement la fiche si le câble/la rallonge est endommagé(e) ou coupé(e) pendant le travail
- ⑧ Double-isolation (ne nécessite pas de mise à la terre)

UTILISATION

- Protection de coupe^⑩
 - montez la protection de coupe A comme indiqué, avec la vis à tête ronde fournie
 - ! **n'utilisez jamais l'outil sans protection de coupe A**
- Montage/réglage de la poignée de guide^⑪
 - montez la poignée de guide B comme indiqué avec les 4 vis fournies
 - ! **serrez fortement toutes les 4 vis**
- Dispositif d'immobilisation du cordon d'alimentation^⑫
 - accrochez la boucle dans le dispositif d'immobilisation de la rallonge C comme indiqué
 - tirez fort pour bien serrer la rallonge
- Ajustement de la hauteur^⑬

Pour régler la hauteur de l'outil, de manière à ce que votre avant-bras soit droit lors de la taille

 - desserrez la douille de verrouillage D^⑭ en la faisant tourner dans le sens des aiguilles d'une montre
 - étendez le tube E^⑮ jusqu'à l'obtention de la hauteur souhaitée

- serrez la douille de verrouillage D^⑮ en la faisant tourner dans le sens inverse des aiguilles d'une montre
- Marche/arrêt^⑭
 - mettez en marche l'outil en appuyant la gâchette F
 - arrêtez l'outil en relâchant la gâchette F
 - ! **après avoir coupé l'outil, les fils de coupe continuent à tourner durant quelques secondes**
 - laissez les fils de coupe s'arrêter de tourner avant de reconnecter l'outil
 - ! **ne mettez pas rapidement en marche et à l'arrêt**
- Taille
 - ! **veillez à ce que le capot rouge G^⑯ soit enlevé de la lame de coupe du fil avant d'utiliser l'outil**
 - ! **veillez à ce que la zone de coupe soit dégagée des pierres, des débris et autres objets étrangers**
 - ! **commencez la taille uniquement lorsque l'outil tourne à pleine vitesse**
 - commencez la taille près de la prise de courant et écartez-vous en travaillant
 - coupez les herbes hautes en couches (commencez toujours par le haut)
 - taillez uniquement avec le bout du fil de coupe
 - ne coupez pas d'herbe humide ou mouillée
 - évitez que l'herbe coupée s'agglomère dans la bobine (ne faites pas de coupes lourdes)
 - ne surchargez pas l'outil
 - coupez prudemment autour des arbres et des buissons, afin qu'ils n'entrent pas en contact avec les fils de coupe
 - tenez l'outil à distance des objets solides afin de protéger les fils de coupe contre une usure excessive
 - soyez attentif aux forces de recul qui se produisent lorsque vous touchez des objets solides
- Tenue et guidage de l'outil^⑰
 - pour couper les herbes longues, balancez lentement l'outil de droite à gauche et vice-versa
 - pour couper des herbes plus courtes, inclinez l'outil comme indiqué
 - tournez l'outil à 180° pour tailler les bordures
 - tenez l'outil fermement dans les deux mains pour obtenir pleinement le contrôle de celui-ci
 - conservez une position de travail stable
 - tenez toujours l'outil à bonne distance du corps
- Alimentation du fil^⑱
 - tapez le bouton H légèrement sur le sol (de préférence sur une surface solide) pendant que le moteur tourne
 - deux fils de coupe seront dégagés et coupés à la longueur correcte par la lame de coupe du fil J
 - ! **veillez à ce que le capot rouge G^⑲ soit enlevé de la lame de coupe du fil avant d'utiliser l'outil**
 - ! **veillez à ne pas vous blesser avec la lame de coupe du fil J**
 - après alimentation du fil, remplacez l'outil dans son état normal d'utilisation avant de le mettre sous tension
 - alimentez régulièrement les fils pour conserver un cercle de coupe complet
 - lorsque le moteur tourne sans charge et que l'herbe n'est pas coupée, les fils de coupe sont abîmés ou cassés; rembobinez la bobine ou remplacez le système de bobine

- Rembobinage de la bobine ⑰
Au cas où les fils de coupe ne parviennent pas à sortir de la flasque de la bobine K
! arrêtez l'outil et débranchez la prise
 - enlevez le système de bobinage de l'outil et sortez la bobine de la flasque de la bobine K
 - rembobinez bien les deux fils de coupe, en couches égales, dans le sens de la flèche
 - insérez les deux fils dans les fentes de la bobine X et veillez à ce qu'ils soient bien en place (laissez une longueur de fil suffisante)
 - enfiler les deux fils par les trous de la bobine Y avant de placer la bobine rembobinée dans la flasque de la bobine K**! veillez à ce que la bobine soit bien mise en place, ensuite relâchez les deux fils des fentes X en tirant fermement dessus**
 - montez le système de bobine sur l'outil (**tournez la bobine dans le sens des aiguilles d'une montre jusqu'à ce que vous entendiez un clic**) ⑱
- Remplacement du système de bobine ⑲
! arrêtez l'outil et débranchez la prise
 - enlevez/montez simplement l'ancien/le nouveau système de bobine comme illustré
 - utilisez uniquement le système de bobine SKIL 2610Z01354 avec cet outil (**les dégâts dus à l'utilisation d'autres systèmes de bobine seront exclus de la garantie**)
 - après avoir remplacé le système de bobine, effectuez un test de fonctionnement de l'outil durant au moins une minute, sans charge, pour vous assurer que l'outil fonctionne correctement

ENTRETIEN / SERVICE APRES-VENTE

- Cet outil n'est pas conçu pour un usage professionnel
- **Débranchez toujours la fiche de la prise avant de nettoyer et/ou d'effectuer l'entretien**
- Gardez toujours votre outil et le câble propres (spécialement les aérations)
 - pour nettoyer l'outil, utilisez un chiffon humide (n'utilisez jamais de produit de nettoyage ou de solvant)
 - nettoyez la lame de coupe du fil J ② et la protection de coupe A ② après chaque utilisation
 - nettoyez régulièrement les fentes d'aération L ② à l'aide d'une brosse ou d'air comprimé
- Vérifiez régulièrement l'état de la tête de coupe et le serrage des écrous, des boulons et des vis
- Vérifiez régulièrement s'il y a des pièces usées ou abîmées et faites-les réparer/remplacer le cas échéant
- Rangement ⑲
 - rangez l'outil à l'intérieur dans un endroit sec et fermer à clé, hors de la portée des enfants
 - montez convenablement le rail de rangement M sur le mur avec 4 vis (**non fournies**) et bien mis à niveau
- Si, malgré tous les soins apportés à la fabrication et au contrôle de l'outil, celui-ci devait avoir un défaut, la réparation ne doit être confiée qu'à une station de service après-vente agréée pour outillage SKIL
 - retournez l'outil **non démonté** avec votre preuve d'achat au revendeur ou au centre de service après-vente SKIL le plus proche (les adresses ainsi que la vue élargie de l'outil figurent sur www.skil.com)

DÉPANNAGE

- Le listing suivant indique les symptômes de problèmes, les causes éventuelles et les actions correctives (si celles-ci n'identifient pas et ne corrigent pas le problème, contactez votre fournisseur ou la station-service)
! arrêtez l'outil et débranchez la fiche avant d'examiner le problème
- ★ L'outil ne fonctionne pas
 - prise de l'alimentation en faute -> utilisez une autre prise
 - rallonge endommagée -> remplacez la rallonge
- ★ L'outil fonctionne par intermittence
 - câble interne défectueux -> contactez le fournisseur/la station-service
 - câble marche/arrêt défectueux -> contactez le fournisseur/la station-service
- ★ L'outil vibre de manière anormale
 - herbe trop haute -> coupe par étapes
- ★ L'outil ne coupe pas
 - fil trop court/cassé -> alimenter le fil à la main
- ★ Le fil ne peut être alimenté
 - bobine vide -> remplacez la bobine
 - fil mêlé dans la bobine -> inspectez la bobine ; rembobinez le cas échéant
- ★ Le fil n'est pas coupé à la longueur correcte -> enlevez le couvercle de la lame de coupe
- ★ Le fil n'arrête pas de casser
 - fil mêlé dans la bobine -> inspectez la bobine ; rembobinez le cas échéant
 - coupe-bordures mal utilisé -> tailler uniquement avec le bout du fil ; éviter les pierres, les murets et autres objets durs ; alimenter le fil régulièrement

ENVIRONNEMENT

- **Ne jetez pas les outils électriques, les accessoires et l'emballage dans les ordures ménagères** (pour les pays européens uniquement)
 - conformément à la directive européenne 2012/19/EG relative aux déchets d'équipements électriques ou électroniques, et à sa transposition dans la législation nationale, les outils électriques usés doivent être collectés séparément et faire l'objet d'un recyclage respectueux de l'environnement
 - le symbole ⑨ vous le rappellera au moment de la mise au rebut de l'outil

DÉCLARATION DE CONFORMITÉ CE

- Nous déclarons sous notre propre responsabilité que le produit décrit sous "Caractéristiques techniques" est en conformité avec les normes ou documents normatifs suivants: EN 60335, EN 61000, EN 55014 conformément aux termes des réglementations en vigueur 2006/95/CE, 2004/108/CE, 2006/42/CE, 2000/14/CE, 2011/65/UE

- **Dossier technique auprès de:** SKIL Europe BV (PT-SEU/ENG1), 4825 BD Breda, NL

Marijn van der Hoofden Olaf Dijkgraaf
Operations & Engineering Approval Manager




SKIL Europe BV, 4825 BD Breda, NL

19.12.2013

CE10

BRUIT/VIBRATION

- Mesuré selon EN 60335 le niveau de la pression sonore de cet outil est 70 dB(A) et le niveau de la puissance sonore 90 dB(A) (déviatión standard: 3 dB), et la vibration <math>< 2,5 \text{ m/s}^2</math> (méthode main-bras; incertitude $K = 1,5 \text{ m/s}^2$)
- Mesuré selon 2000/14/CE (EN/ISO 3744) le niveau de la puissance sonore garanti LWA est inférieur à 93 dB(A) (procédures d'évaluation de la conformité conformément à l'annexe VI)

Organisme notifié : KEMA, Arnhem, NL
Numéro d'identification de l'organisme notifié : 0344

- Le niveau de vibrations émises a été mesuré conformément à l'essai normalisé de la norme EN 60335; il peut être utilisé pour comparer plusieurs outils et pour réaliser une évaluation préliminaire de l'exposition aux vibrations lors de l'utilisation de l'outil pour les applications mentionnées
 - l'utilisation de l'outil dans d'autres applications, ou avec des accessoires différents ou mal entretenus, peut considérablement **augmenter** le niveau d'exposition
 - la mise hors tension de l'outil et sa non-utilisation pendant qu'il est allumé peuvent considérablement **réduire** le niveau d'exposition

! protégez-vous contre les effets des vibrations par un entretien correct de l'outil et de ses accessoires, en gardant vos mains chaudes et en structurant vos schémas de travail

D

Rasentrimmer

0730

EINLEITUNG

- Dieses Werkzeug dient zum Schneiden von Gras und Unkraut unter Büschen und an Abhängen und Kanten, die mit dem Rasenmäher nicht gemäht werden können
- Dieses Werkzeug eignet sich nicht für den professionellen Einsatz
- Sicherstellen, dass die Packung alle in der Zeichnung ② abgebildeten Teile enthält
- Wenn Teile fehlen oder beschädigt sind, wenden Sie sich an Ihren Händler
- **Bitte diese Bedienungsanleitung sorgfältig durchlesen und aufbewahren** ③
- **Achten Sie besonders auf die Sicherheits- und Warnhinweise; ihre Nichtbeachtung kann schwere Verletzungen nach sich ziehen**

TECHNISCHE DATEN ①

WERKZEUGKOMPONENTEN ②

- A Schneidschutz
- B Führungsriff
- C Kabelhalter
- D Verriegelungshülse
- E Teleskopstange
- F Auslöseschalter
- G Schneidmesserschutz
- H Knopf für Fadennachstellung
- J Schneidmesser
- K Spulenkappe
- L Lüftungsschlitze
- M Aufbewahrungsschiene (**Schrauben nicht im Lieferumfang**)
- N Aufhängungshaken

SICHERHEIT

SPEZIFISCHE SICHERHEITSANWEISUNGEN FÜR RASENTRIMMER

ALLGEMEINES

- Machen Sie sich mit den Bedienelementen und der richtigen Verwendung vertraut
- Der Benutzer ist für entstehende Unfälle mit Dritten oder auftretende Gefahren für deren Eigentum verantwortlich
- Das Werkzeug nur bei Umgebungstemperaturen zwischen 0 °C und 40 °C benutzen
- Niemals Schneidelemente aus Metall an das Werkzeug anbauen

SICHERHEIT VON PERSONEN

- Dieses Werkzeug ist nicht dafür bestimmt durch Personen (einschließlich Kinder) mit eingeschränkten physischen, sensorischen oder geistigen Fähigkeiten, oder mangelnder Erfahrung und Wissen, benutzt zu werden; es sei denn, sie werden durch eine für ihre Sicherheit zuständige Person beaufsichtigt oder erhalten von ihr Anweisungen, wie das Werkzeug zu benutzen ist
- Stellen Sie sicher, dass Kinder nicht mit dem Werkzeug spielen
- Niemals Kinder oder Personen, die nicht mit der Bedienung/Bedienungsanleitung vertraut sind, das Werkzeug verwenden lassen
- **Finger von dem Schneidmesser fernhalten, das in den Schneidschutz integriert ist**

- Hände und Füße beim Trimmen des Rasens von den Schneidfäden fernhalten, besonders beim Einschalten des Werkzeuges
- Bei der Benutzung des Werkzeugs stets eine Schutzbrille, lange Hosen und feste Schuhe tragen
- Das Werkzeug nie in unmittelbarer Nähe von Personen (insbesondere von Kindern) und Tieren benutzen, ggf. das Werkzeug ausschalten
- Das Werkzeug nie bei Müdigkeit, Krankheit oder unter Einfluss von Alkohol oder Drogen benutzen

ELEKTRISCHE SICHERHEIT

- Stets nachprüfen, daß die Netzspannung mit der auf dem Typenschild des Werkzeuges angegebenen Spannung übereinstimmt (mit 230V oder 240V beschriftete Werkzeuge können auch an 220V betrieben werden)

- Das Kabel regelmäßig kontrollieren und ein beschädigtes Kabel von einem anerkannten Elektrofachmann ersetzen lassen
- Das Verlängerungskabel regelmäßig inspizieren und bei Beschädigung austauschen (**unzulängliche Kabel können gefährlich sein**)
- Nur ein Verlängerungskabel benutzen, das für die Anwendung im Freien vorgesehen und mit wasserfesten Steckern und Kupplungen versehen ist
- Bei Benutzung von Verlängerungskabeln ist darauf zu achten, daß das Kabel vollständig abgerollt ist und eine Kapazität von 16 A hat
- Bei der Verwendung des Werkzeugs in feuchten Umgebungen einen Fehlerstrom- (FI) Schutzschalter mit einem Auslösestrom von max. 30 mA verwenden
- Nicht auf das (Verlängerungs-) Kabel treten, darüber fahren, es knicken oder daran ziehen
- Das (Verlängerungs-) Kabel vor Hitze, Öl und scharfen Kanten schützen
- **Das (Verlängerungs-)Kabel von den umlaufenden Schneidfäden fernhalten**
- Werkzeug immer ausschalten und Stecker aus der Netzsteckdose ziehen, wenn das Netz- oder Verlängerungskabel durchtrennt oder beschädigt wird oder sich verfangen hat (**das Kabel nicht anfassen, bevor der Stecker gezogen wurde**)

VOR DER ANWENDUNG

- Das Werkzeug nur bei ausreichendem Tageslicht oder mit entsprechender künstlicher Beleuchtung verwenden
- Die Funktionsfähigkeit des Werkzeugs vor jeder Benutzung und nach einem Stoß prüfen und es bei einem Defekt sofort von einer qualifizierten Person reparieren lassen; das Werkzeug niemals selbst öffnen
- Vor der Verwendung des Werkzeugs den Schnittbereich sorgfältig inspizieren und alle Fremdkörper entfernen, um die sich die Fäden beim Trimmen des Rasens schlingen könnten (z. B. Steine und lose Holzstücke)

WÄHREND DER ANWENDUNG

- Werkzeug nicht weiter verwenden, wenn das Kabel beschädigt ist; lassen Sie dieses von einem anerkannten Elektrofachmann ersetzen
- Das Werkzeug nie mit beschädigtem oder ohne Schneidschutz benutzen
- **Nach dem Ausschalten des Werkzeugs drehen sich die Schneidfäden noch einige Sekunden weiter**
- Kein Gras schneiden, dass nicht auf dem Boden wächst (z. B. auf Mauern oder Steinen)
- Straßen oder Kieswege nicht mit laufendem Werkzeug überqueren
- Lassen Sie sich nicht ablenken und konzentrieren Sie sich stets auf das, was Sie tun
- Stets den Stecker aus der Netzsteckdose ziehen
 - wenn das Werkzeug unbeaufsichtigt ist
 - vor dem Entfernen von festsitzendem Material
 - vor dem Inspizieren und Reinigen des Werkzeugs oder vor Arbeiten an dem Werkzeug
 - nach dem Anschlagen an einen Gegenstand
 - wenn das Werkzeug beginnt ungewöhnlich zu vibrieren
- Immer darauf achten, dass die Lüftungsschlitze frei von Schmutz sind

NACH DER ANWENDUNG

- **Das Werkzeug immer ausschalten und den Stecker aus der Netzsteckdose ziehen, bevor Sie Einstellungen vornehmen, die Spule wechseln, das Werkzeug reinigen oder das Werkzeug unbeaufsichtigt lassen**

- Das Werkzeug **drinnen** an trockener und abgesperrter Stelle, für Kinder unzugänglich, lagern

ERKLÄRUNG DER SYMBOLE AUF DEM WERKZEUG

- ③ **Warnung!** Lesen Sie die Bedienungsanleitung
- ④ Das Werkzeug niemals dem Regen aussetzen
- ⑤ Schutzbrille tragen
- ⑥ **Auf das Risiko von Verletzungen durch fliegende Schmutzpartikeln achten** (Sicherheitsabstand zu Umstehenden halten)
- ⑦ Sofort den Stecker abziehen, wenn das (Verlängerungs-) Kabel bei der Arbeit beschädigt oder durchgeschnitten wird
- ⑧ Doppelte Isolierung (kein Erdleiter erforderlich)

BEDIENUNG

- Schneidschutz^⑩
 - den Schneidschutz A wie abgebildet mit der mitgelieferten Rundkopfschraube montieren
 - ! **das Werkzeug niemals ohne den Schneidschutz A benutzen**
- Führungsriff^⑪ montieren/einstellen
 - den Führungsriff B wie abgebildet mit den mitgelieferten 4 Schrauben montieren
 - ! **ziehen Sie alle 4 Schrauben fest**
- Kabelhalter^⑫
 - Schlaufe des Verlängerungskabels gemäß Abbildung in den Kabelhalter C haken
 - festziehen, um das Verlängerungskabel sicher zu befestigen
- Höheneinstellung^⑬

Zur Einstellung der Werkzeughöhe, damit Ihr vorderer Arm bei der Benutzung gerade ist

 - die Verriegelungshülse D ② durch Drehen im Uhrzeigersinn lösen
 - das Rohr E ② bis zur gewünschten Höhe ausziehen
 - die Verriegelungshülse D ② durch Drehen gegen den Uhrzeigersinn festziehen
- Ein-/Aus-Schalten^⑭
 - das Werkzeug durch Drücken von Auslöseschalter F einschalten
 - das Werkzeug durch Lösen von Auslöseschalter F abschalten
 - ! **nach dem Ausschalten des Werkzeugs bewegen sich die Schneidfäden noch einige Sekunden**
 - warten Sie, bis sich die Schneidfäden nicht mehr drehen, bevor Sie das Werkzeug wieder einschalten
 - ! **das Werkzeug nicht schnell hintereinander ein- und ausschalten**
- Rasen trimmen
 - ! **vor der Benutzung des Werkzeugs unbedingt die rote Abdeckung G ② vom Schneidmesser abnehmen**
 - ! **sicherstellen, dass der Schnittbereich frei von Steinen, Abfällen und anderen störenden Gegenständen ist**
 - ! **den Rasen erst trimmen, wenn das Werkzeug mit voller Geschwindigkeit läuft**

- den Schnitt in der Nähe des Netzsteckdose beginnen und sich dann bei der Arbeit davon weg bewegen
- langes Gras schichtweise schneiden (stets von oben beginnen)
- nur mit der Spitze des Schneidfadens schneiden
- kein feuchtes oder nasses Gras schneiden
- darauf achten, dass die Spule nicht von Gras verstopft wird (keine schweren Schnitte vornehmen)
- das Werkzeug nicht überlasten
- sorgfältig um Bäume und Büsche herum schneiden, damit sie nicht in Kontakt mit den Schneidfäden kommen
- das Werkzeug von festen Gegenständen fernhalten, um die Schneidfäden vor übermäßigem Verschleiß zu schützen
- beachten Sie die Rückschlagkräfte, die auftreten, wenn feste Gegenstände berührt werden
- Halten und Führen des Werkzeuges ¹⁵
 - um langes Gras langsam zu schneiden, schwingen Sie das Werkzeug von rechts nach links und andersherum
 - um kürzeres Gras zu schneiden, neigen Sie das Werkzeug wie abgebildet
 - das Werkzeug zum Schneiden von Kanten 180° drehen
 - das Werkzeug immer fest mit beiden Händen halten um es stets unter Kontrolle zu haben
 - auf eine sichere Arbeitsposition achten
 - das Werkzeug immer von Ihrem Körper entfernt halten
- Fadennachstellung ¹⁶
 - mit dem Knopf H leicht auf den Boden (am besten auf einen festen Untergrund) klopfen, während der Motor läuft es werden zwei Schneidfäden freigegeben und vom Schneidmesser J auf die richtige Länge zugeschnitten

! vor der Benutzung des Werkzeugs unbedingt die rote Abdeckung G ² vom Schneidmesser abnehmen

! Vorsicht vor Verletzungen durch das Schneidmesser J

 - nach der Fadennachstellung das Werkzeug vor dem Einschalten immer erst in die normale Betriebsposition bringen
 - stellen Sie die Fäden regelmäßig nach, um den vollen Schnittdurchmesser zu behalten
 - wenn der Motor läuft und kein Gras geschnitten wird, sind die Schneidfäden abgenutzt oder kaputt; Wickeln Sie die Spule wieder auf oder tauschen Sie sie aus
- Spulenaufwicklung ¹⁷

Wenn die Schneidfäden nicht aus der Spulenkappe K hervortreten

! das Werkzeug ausschalten und den Netzstecker ziehen

 - entfernen Sie das Spulensystem vom Werkzeug und nehmen Sie die Spule aus der Spulenkappe K
 - wickeln Sie die beiden Schneidfäden fest, gleichmäßig, schichtweise in Pfeilrichtung auf
 - legen Sie die beiden Fäden in die Spulenschlitze X und vergewissern Sie sich, dass sie sicher sitzen (lassen Sie genug Fadenlänge)
 - führen Sie beide Fäden durch die Spulenlöcher Y, bevor Sie die aufgewickelte Spule in die Spulenkappe K einsetzen

- ! vergewissern Sie sich, dass die Spule sicher sitzt, ziehen Sie dann beide Fäden fest aus den X-Schlitzen**
- Spulensystem an das Werkzeug montieren (**die Spule im Uhrzeigersinn drehen, bis sie hörbar einrastet**) ¹⁸

- Austausch des Spulensystems ¹⁸

- ! das Werkzeug ausschalten und den Netzstecker ziehen**
- einfach altes/neues Spulensystem wie abgebildet entnehmen/montieren
- nur das SKIL-Spulensystem 2610Z01354 für dieses Werkzeug verwenden (**Schäden aufgrund der Benutzung anderer Spulensysteme sind von der Garantie ausgenommen**)
- nach dem Austausch des Spulensystems das Werkzeug testweise mindestens eine Minute im Leerlauf laufen lassen, um sicherzustellen, dass das Werkzeug richtig funktioniert

WARTUNG / SERVICE

- Dieses Werkzeug eignet sich nicht für den professionellen Einsatz
- **Vor Reinigungs- und Wartungsarbeiten grundsätzlich den Netzstecker ziehen**
- Halten Sie Werkzeug und Kabel immer sauber (insbesondere die Lüftungsschlitze)
 - Werkzeug mit einem feuchten Tuch reinigen (keine Reinigungs- oder Lösungsmittel verwenden)
 - das Schneidmesser J ² und den Schneidschutz A ² nach jeder Benutzung reinigen
 - reinigen Sie die Lüftungsschlitze L ² regelmäßig mit einer Bürste oder Druckluft
- Regelmäßig den Zustand des Schneidkopfes und den Sitz der Schrauben, Muttern und Bolzen prüfen
- Regelmäßig auf verschlissene oder beschädigte Komponenten prüfen und diese bei Bedarf reparieren bzw. austauschen
- Aufbewahrung ¹⁹
 - das Werkzeug **drinnen** an trockener und abgesperrter Stelle, für Kinder unzugänglich, lagern
 - Aufbewahrungsschiene M sicher mit 4 Schrauben (**nicht mitgeliefert**) horizontal an der Wand befestigen
- Sollte das Elektrowerkzeug trotz sorgfältiger Herstellungs- und Prüfverfahren einmal ausfallen, ist die Reparatur von einer autorisierten Kundendienststelle für SKIL-Elektrowerkzeuge ausführen zu lassen
 - das Werkzeug **unzerlegt**, zusammen mit dem Kaufbeleg, an den Lieferer oder die nächste SKIL-Vertragswerkstätte senden (die Anschriften so wie die Ersatzteilzeichnung des Werkzeuges finden Sie unter www.skil.com)


STÖRUNGSBESEITIGUNG

- Die folgende Liste enthält Symptome für Probleme, mögliche Ursachen und Lösungsmaßnahmen (wenn das Problem darin nicht beschrieben wird oder so nicht behoben werden kann, wenden Sie sich bitte an Ihren Händler oder Ihren Kundendienst)

! vor der Untersuchung des Problems das Werkzeug ausschalten und den Stecker aus der Steckdose ziehen

- ★ Werkzeug funktioniert nicht
 - Netzsteckdose defekt -> andere Steckdose verwenden
 - Verlängerungskabel beschädigt -> Verlängerungskabel austauschen
- ★ Werkzeug hat Aussetzer
 - Innenverdrahtung defekt -> Händler/Kundendienst kontaktieren
 - Ein-/Aus-Schalter defekt -> Händler/Kundendienst kontaktieren
- ★ Werkzeug vibriert ungewöhnlich
 - Gras ist zu hoch -> Schrittweise schneiden
- ★ Werkzeug schneidet nicht
 - Faden zu kurz/kaputt -> Faden manuell nachstellen
- ★ Faden lässt sich nicht nachstellen
 - Spule leer -> Spule austauschen
 - Faden in Spule verheddert -> Spule inspizieren, bei Bedarf neu aufwickeln
- ★ Faden ist nicht auf die richtige Länge zugeschnitten -> Abdeckung von Schneidmesser entfernen
- ★ Faden bricht ständig
 - Faden in Spule verheddert -> Spule inspizieren, bei Bedarf neu aufwickeln
 - Trimmer falsch benutzt -> Nur mit der Spitze des Fadens trimmen; Steine, Mauern und andere harte Gegenstände meiden; Faden regelmäßig nachstellen

UMWELT

- **Elektrowerkzeuge, Zubehör und Verpackungen nicht in den Hausmüll werfen** (nur für EU-Länder)
 - gemäss Europäischer Richtlinie 2012/19/EG über Elektro- und Elektronik- Altgeräte und Umsetzung in nationales Recht müssen nicht mehr gebrauchsfähige Elektrowerkzeuge getrennt gesammelt und einer umweltgerechten Wiederverwertung zugeführt werden
 - hieran soll Sie Symbol  erinnern

KONFORMITÄTSERKLÄRUNG CE

- Wir erklären in alleiniger Verantwortung, daß das unter "Technische Daten" beschriebene Produkt mit den folgenden Normen oder normativen Dokumenten übereinstimmt: EN 60335, EN 61000, EN 55014 gemäß den Bestimmungen der Richtlinien 2006/95/EG, 2004/108/EG, 2006/42/EG, 2000/14/EG, 2011/65/EU
- **Technische Unterlagen bei:** SKIL Europe BV (PT-SEU/ENG1), 4825 BD Breda, NL

Marijn van der Hoofden
Operations & Engineering

Olaf Dijkgraaf
Approval Manager



SKIL Europe BV, 4825 BD Breda, NL

19.12.2013

CE10

GERÄUSCH/VIBRATION



- Gemessen gemäß EN 60335 beträgt der Schalldruckpegel dieses Gerätes 70 dB(A) und der Schalleistungspegel 90 dB(A) (Standardabweichung: 3 dB), und die Vibration $2,5 \text{ m/s}^2$ (Hand-Arm Methode; Unsicherheit $K = 1,5 \text{ m/s}^2$)
- Gemessen gemäß 2000/14/EG (EN/ISO 3744) liegt der garantierte Schalleistungspegel L_{WA} unter 93 dB(A) (Bewertungsverfahren der Konformität gemäß Anhang VI)
Benannte Stelle: KEMA, Arnhem, NL
Kennnummer der benannten Stelle: 0344
- Die Vibrationsemissionsstufe wurde mit einem standardisierten Test gemäß EN 60335 gemessen; Sie kann verwendet werden, um ein Werkzeug mit einem anderen zu vergleichen und als vorläufige Beurteilung der Vibrationsexposition bei Verwendung des Werkzeugs für die angegebenen Anwendungszwecke
 - die Verwendung des Werkzeugs für andere Anwendungen oder mit anderem oder schlecht gewartetem Zubehör kann die Expositionsstufe erheblich **erhöhen**
 - Zeiten, zu denen das Werkzeug ausgeschaltet ist, oder wenn es läuft aber eigentlich nicht eingesetzt wird, können die Expositionsstufe erheblich **verringern**
- ! **schützen Sie sich vor den Auswirkungen der Vibration durch Wartung des Werkzeugs und des Zubehörs, halten Sie Ihre Hände warm und organisieren Sie Ihren Arbeitsablauf**

NL

Trimmer

0730

INTRODUCTIE

- Deze machine is bedoeld voor het maaien van gras en onkruid onder struiken, op hellingen en langs randen, die met een grasmaaier niet kunnen worden bereikt
- Deze machine is niet bedoeld voor professioneel gebruik
- Controleer of de verpakking alle onderdelen bevat die worden getoond in afbeelding 
- Als onderdelen ontbreken of beschadigd zijn, neemt u contact op met de dealer
- **Lees deze handleiding aandachtig en bewaar hem zodat u hem in de toekomst kunt raadplegen** 
- **Let met name op de veiligheidsinstructies en de waarschuwingen; het niet in acht nemen hiervan kan ernstige verwondingen tot gevolg hebben**

TECHNISCHE GEGEVENS

MACHINE-ELEMENTEN

- A Beschermkap
- B Bedieningsgreep
- C Snoerhouder
- D Vergrendelingshuls
- E Telescoopbuis
- F Trekkerschakelaar
- G Snijmesafdekking

- H Knop voor draadtoevoer
- J Draadsnijblad
- K Spoelkap
- L Ventilatie-openingen
- M Opslagrail (**schroeven niet meegeleverd**)
- N Ophanghaak

VEILIGHEID

VEILIGHEIDSINSTRUCTIES SPECIFIEK VOOR TRIMMERS

ALGEMEEN

- Wees op de hoogte van de knoppen en het juiste gebruik van de machine
- De gebruiker is verantwoordelijk voor ongelukken of gevaar voor andere personen of hun eigendom
- Gebruik de machine uitsluitend bij omgevingstemperaturen tussen 0 °C en 40 °C
- Monteer nooit metalen snijelementen op deze machine

PERSOONLIJKE VEILIGHEID

- Deze machine is niet bedoeld voor gebruik door personen (waaronder begrepen kinderen) met fysieke, zintuiglijke of mentale beperkingen, of een gebrek aan ervaring en kennis, tenzij zij onder toezicht staan of instructies hebben ontvangen ten aanzien van het gebruik van deze machine door een persoon, die verantwoordelijk is voor hun veiligheid
- Zorg ervoor dat kinderen de machine niet als speelgoed gebruiken
- Laat nooit kinderen of personen, die niet bekend zijn met de gebruiksinstructies, de machine gebruiken
- **Houd uw vingers uit de buurt van het draadsnijblad dat in de beschermkap is geïntegreerd**
- Houd uw handen en voeten uit de buurt van de snijdraden tijdens het maaien, met name wanneer u de machine inschakelt
- Draag tijdens het gebruik altijd oogbescherming, een broek met lange pijpen en stevige schoenen
- Gebruik de machine nooit in de directe nabijheid van personen; stop het gebruik van de machine wanneer personen (met name kinderen) en dieren in de buurt zijn
- Gebruik de machine nooit wanneer u moe of ziek bent, of alcohol of andere drugs hebt gebruikt

ELEKTRISCHE VEILIGHEID

- Controleer altijd of het voltage, dat vermeld staat op het typeplaatje van de machine, overeenkomt met de netspanning (met 230V of 240V aangeduide machines kunnen ook op 220V aangesloten worden)
- Controleer regelmatig het snoer en laat het door een erkende vakman vervangen, indien beschadigd
- Controleer het verlengsnoer regelmatig en vervang dit als het beschadigd is (**het gebruik van ondeugdelijke verlengsnoeren kan gevaarlijk zijn**)
- Gebruik alleen een voor gebruik buitenshuis goedgekeurd verlengsnoer met een waterdichte stekker en contactstop
- Gebruik volledig uitgerolde en veilige verlengsnoeren met een capaciteit van 16 Ampère
- Wanneer de machine in een vochtige omgeving wordt gebruikt, een lekstroombeveiliging gebruiken met een uitschakelstroom van maximaal 30 mA

- Trek niet aan het (verleng)snoer, rijd er niet overheen en plet het snoer niet
- Bescherm het (verleng)snoer tegen hitte, olie en scherpe randen
- **Houd het (verleng)snoer uit de buurt van de draaiende snijdraden**
- Schakel de machine altijd uit en haal de stekker uit het stopcontact wanneer het (verleng)snoer versleten, beschadigd of verward is (**raak het snoer pas aan nadat u de stekker uit het stopcontact hebt gehaald**)

VÓÓR GEBRUIK

- Gebruik de machine uitsluitend bij daglicht of geschikt kunstlicht
- Controleer vóór elk gebruik, en nadat u iets hebt geraakt, de werking van de machine; laat deze in geval van een defect onmiddellijk repareren door een erkende vakman (open nooit zelf de machine)
- Inspecteer vóór gebruik het gebied, waar u de machine wilt gebruiken, en verwijder alle objecten, die de machine tijdens gebruik zou kunnen wegslingeren (zoals stenen, stukken hout, enz.)

TIJDENS GEBRUIK

- Gebruik de machine niet, wanneer het snoer beschadigd is; laat dit door een erkende vakman vervangen
- Gebruik de machine nooit zonder beschermkap of wanneer de beschermkap is beschadigd
- **De snijdraden blijven korte tijd doordraaien nadat de machine is uitgeschakeld**
- Maai geen gras dat zich niet op de grond bevindt (zoals gras op muren of rotsen)
- Steek geen weg of gravelpad over terwijl de machine nog is ingeschakeld
- Laat u niet afleiden en concentreer u altijd op wat u doet
- Haal de stekker altijd uit het stopcontact
 - wanneer u de machine onbeheerd laat
 - voordat u vastgelopen materiaal verwijderd
 - voordat u de machine controleert, reinigt of ermee gaat werken
 - nadat een vreemd object is geraakt
 - wanneer de machine abnormaal begint te trillen
- Zorg altijd dat de ventilatieopeningen vrij zijn

NA GEBRUIK

- **Schakel altijd de machine uit en haal de stekker uit het stopcontact voordat u een instelling wijzigt, spoelen verwisselt, de machine reinigt of onbeheerd laat**
- Berg de machine **binnenshuis** op in droge, afgesloten ruimten, buiten het bereik van kinderen

UITLEG VAN SYMBOLEN OP MACHINE

- ③ **Waarschuwing!** Lees de gebruiksaanwijzing
- ④ Stel machine niet bloot aan regen
- ⑤ Draag een veiligheidsbril

- ⑥ **Houd rekening met het risico van letsel als gevolg van opvliegend afval** (houd omstanders op veilige afstand van het werkgebied)
- ⑦ Haal de stekker direct uit het stopcontact als het (verleng)snoer is beschadigd of tijdens het gebruik wordt doorgesneden
- ⑧ Dubbele isolatie (geen aarddraad nodig)

GEBRUIK

- Beschermkap ⑩
 - monteer de beschermkap A met de meegeleverde schroef met ronde kop (zie afbeelding)
 - ! **gebruik de machine nooit zonder de beschermkap A**
- Bedieningsgreep ⑪ monteren/afstellen
 - monteer de bedieningsgreep B met de vier meegeleverde schroeven (zie afbeelding)
 - ! **draai alle vier de schroeven stevig aan**
- Snoerhouder ⑫
 - haak de lus van het verlengsnoer door de houder C zoals afgebeeld
 - trek stevig aan het verlengsnoer om het vast te zetten
- Hoogteafstelling ⑬
 - Voor het zodanig afstellen van de hoogte van de machine dat uw voorarm bij het maaien gestrekt is
 - draai vergrendelingshuls D ② los door deze rechtsom te draaien
 - schuif buis E ② uit tot de gewenste lengte
 - draai vergrendelingshuls D ② vast door deze linksom te draaien
- Aan/uit ⑭
 - zet de machine aan door trekker-schakelaar F in te drukken
 - zet de machine uit door trekker-schakelaar F los te laten
 - ! **nadat de machine is uitgeschakeld, blijven de snijdraden nog enkele seconden draaien**
 - wacht totdat de snijdraden stil staan voordat u de machine weer inschakelt
 - ! **schakel de machine niet snel achter elkaar in en uit**
- Maaien
 - ! **zorg dat de rode afdekking G ② van het draadsnijblad is verwijderd voordat u de machine gebruikt**
 - ! **zorg dat het te maaien gebied vrij is van stenen, afval en andere vreemde objecten**
 - ! **begin alleen met maaien wanneer de motor op volle snelheid draait**
 - begin met snoeien in de buurt van het stopcontact en werk vervolgens daarvandaan
 - maai lang gras in lagen (begin altijd bovenaan)
 - maai uitsluitend met de punt van de snijdraad
 - maai geen vochtig of nat gras
 - voorkom dat gemaaid gras de spoel verstopt (maai geen grote stukken tegelijk)
 - overbelast de machine niet
 - maai zorgvuldig rondom bomen en struiken, zodat deze niet in contact komen met de snijdraden
 - houd de machine uit de buurt van stevige objecten om de snijdraden te beschermen tegen overmatige slijtage
 - houd rekening met de terugslag die kan optreden wanneer vaste objecten worden geraakt
- Vasthouden en leiden van de machine ⑮
 - bij het maaien van lang gras moet u de machine langzaam van rechts naar links en vice versa zwaaien
 - bij het maaien van kort gras houdt u de machine schuin (zie afbeelding)
 - draai de machine 180° voor het maaien van randen

- houd uw machine stevig met beide handen vast, zodat u deze altijd volledig onder controle hebt
- houd een stabiele werkpositie aan
- houd de machine altijd op afstand van uw lichaam
- Draadtoevoer ⑯
 - tik knop H licht tegen de grond (bij voorkeur een harde ondergrond) terwijl de motor draait
 - twee snijdraden worden vrijgegeven en op de juiste lengte afgesneden door draadsnijblad J
 - ! **zorg dat de rode afdekking G ② van het draadsnijblad is verwijderd voordat u de machine gebruikt**
 - ! **voorkom letsel door draadsnijblad J**
 - zet de machine na draadtoevoer altijd terug in de normale bedieningsstand voordat u het inschakelt
 - voer de draden regelmatig door voor een volledige snijcirkel
 - wanneer de motor niet wordt belast en geen gras wordt gemaaid, zijn de snijdraden versleten of kapot; wind de spoel opnieuw op of vervang het spoelsysteem
- Spoel opnieuw opwinden ⑰
 - Wanneer de snijdraden niet uit spoelkap K steken
 - ! **schakel de machine uit en trek de stekker uit het stopcontact**
 - verwijder het spoelsysteem uit de machine en haal de spoel uit spoelkap K
 - draai beide snijdraden licht en gelijkmatig in lagen in de richting van de pijl
 - plaats beide draden in spoelsleuven X en zorg dat deze goed op hun plek zitten (laat voldoende draadlengte over)
 - leid beide draden door spoelgaten Y voordat u de opnieuw opgewonden spoel terugplaatst in spoelkap K
 - ! **controleer of de spoel goed op zijn plek zit; laat vervolgens beide draden los uit sleuven X door stevig aan ze te trekken**
 - monteer het spoelsysteem op de machine (**draai de spoel rechtsom totdat deze op zijn plaats klikt**) ⑱
- Spoelsysteem vervangen ⑲
 - ! **schakel de machine uit en trek de stekker uit het stopcontact**
 - verwijder oud/monteer nieuw spoelsysteem zoals aangegeven in de afbeelding
 - gebruik voor deze machine uitsluitend het SKIL-spoelsysteem 2610Z01354 (**schade als gevolg van het gebruik van andere spoelsystemen vallen buiten de garantie**)
 - na het vervangen van het spoelsysteem, de machine gedurende tenminste één minuut onbelast testen om er zeker van te zijn dat deze goed werkt

ONDERHOUD / SERVICE

- Deze machine is niet bedoeld voor professioneel gebruik
- **Haal altijd de stekker uit het stopcontact voordat u de machine gaat reinigen en/of onderhouden**
- Houd machine en snoer altijd schoon (met name de ventilatie-openingen)
 - maak het apparaat schoon met een vochtige doek (gebruik geen reinigings- of oplosmiddelen)

- reinig draadsnijblad J ② en beschermkap A ② na elk gebruik
- reinig ventilatieopeningen L ② regelmatig met een borstel of met perslucht
- Controleer regelmatig de staat van de snijkop en controleer op losse moeren, bouten en schroeven
- Controleer regelmatig op versleten of beschadigde onderdelen en laat deze zo nodig repareren/vervangen
- Opslag ⑨
 - berg de machine **binnenshuis** op in droge, afgesloten ruimten, buiten het bereik van kinderen
 - bevestig de opslagrail M stevig aan de muur met vier schroeven (**niet meegeleverd**) en zorg dat deze waterpas hangt
- Mocht het elektrische gereedschap ondanks zorgvuldige fabricage- en testmethoden toch defect raken, dient de reparatie te worden uitgevoerd door een erkende klantenservice voor SKIL elektrische gereedschappen
 - stuur de machine **ongedemonteerd**, samen met het aankoopbewijs, naar het verkoopadres of het dichtstbijzijnde SKIL service-station (de adressen evenals de onderdeeltekening van de machine vindt u op www.skil.com)

PROBLEEM OPLOSSEN

- Hierna volgt een lijst van problemen, mogelijke oorzaken en corrigerende handelingen (neem contact op met de dealer of het servicestation, als u het probleem niet kunt vaststellen en oplossen)
 - ! **schakel het apparaat uit en haal de stekker uit het stopcontact voordat u het probleem gaat onderzoeken**
- ★ De machine werkt niet
 - stopcontact defect -> gebruik ander stopcontact
 - verlengsnoer beschadigd -> vervang verlengsnoer
- ★ De machine werkt soms wel/soms niet
 - interne bedrading defect -> neem contact op met dealer/servicestation
 - aan/uit-schakelaar defect -> neem contact op met dealer/servicestation
- ★ Machine trilt abnormaal
 - gras is te lang -> maai in fasen
- ★ Machine maait niet
 - draad is te kort/afgebroken -> voer de draad handmatig toe
- ★ Draad kan niet worden toegevoerd
 - spoel is leeg -> vervang spoel
 - draad is verward in de spoel -> controleer spoel; wind zo nodig opnieuw op
- ★ Draad wordt niet op juiste lengte afgesneden -> verwijder kap van snijblad
- ★ Draad breekt steeds
 - draad is verward in de spoel -> controleer spoel; wind zo nodig opnieuw op
 - strimmer wordt onjuist gebruikt -> maai uitsluitend met de punt van de draad; vermijd stenen, muren en andere harde objecten; voer de draad regelmatig toe

MILIEU

- **Geef electrisch gereedschap, accessoires en verpakkingen niet met het huisvuil mee** (alleen voor EU-landen)
 - volgens de Europese richtlijn 2012/19/EG inzake oude elektrische en elektronische apparaten en de toepassing daarvan binnen de nationale wetgeving, dient afgedankt electrisch gereedschap gescheiden te worden ingezameld en te worden afgevoerd naar een recycle-bedrijf, dat voldoet aan de geldende milieu-eisen
 - symbool ⑨ zal u in het afdankstadium hieraan herinneren

CONFORMITEITSVERKLARING CE

- Wij verklaren als alleen verantwoordelijke, dat het onder "Technische gegevens" beschreven product voldoet aan de volgende normen of normatieve documenten: EN 60335, EN 61000, EN 55014 overeenkomstig de bepalingen van de richtlijnen 2006/95/EG, 2004/108/EG, 2006/42/EG, 2000/14/EG, 2011/65/EU
- **Technisch dossier bij:** SKIL Europe BV (PT-SEU/ENG1), 4825 BD Breda, NL

Marijn van der Hoofden Olaf Dijkgraaf
Operations & Engineering Approval Manager




SKIL Europe BV, 4825 BD Breda, NL

19.12.2013

CE10

GELUID/VIBRATIE

- Gemeten volgens EN 60335 bedraagt het geluidsdrumniveau van deze machine 70 dB(A) en het geluidsvermogen-niveau 90 dB(A) (standaard deviatie: 3 dB), en de vibratie <math><2,5 \text{ m/s}^2</math> (hand-arm methode; onzekerheid $K = 1,5 \text{ m/s}^2$)
- Gemeten volgens 2000/14/EG (EN/ISO 3744) is het gegarandeerde geluidsvermogen-niveau lager dan 93 dB(A) (wegingsmethode van de conformiteit volgens aanhangsel VI)
Aangemelde instantie: KEMA, Arnhem, NL
ID aangemelde instantie: 0344
- Het trillingsemissieniveau is gemeten in overeenstemming met een gestandaardiseerde test volgens EN 60335; deze mag worden gebruikt om twee machines met elkaar te vergelijken en als voorlopige beoordeling van de blootstelling aan trilling bij gebruik van de machine voor de vermelde toepassingen
 - gebruik van de machine voor andere toepassingen, of met andere of slecht onderhouden accessoires, kan het blootstellingsniveau aanzienlijk **verhogen**
 - wanneer de machine is uitgeschakeld of wanneer deze loopt maar geen werk verricht, kan dit het blootstellingsniveau aanzienlijk **reduceren**
- ! **bescherm uzelf tegen de gevolgen van trilling door de machine en de accessoires te onderhouden, uw handen warm te houden en uw werkwijze te organiseren**

INTRODUKTION

- Det här verktyget är avsedd för klippning av gräs och ogräs under buskar samt i sluttningar och på kanter som inte går att nå med gräsklippare
- Det här verktyget är inte avsedd för yrkesmässig användning
- Kontrollera om förpackningen innehåller alla delar som finns på bilden ②
- Om delar saknas eller är skadade kontakter du återförsäljaren
- **Läs dessa instruktioner noggrant för användning och bevara dem för framtida bruk** ③
- **Var särskilt uppmärksam på säkerhetsinstruktionerna och varningarna; om de inte följs kan det ge allvarliga skador**

TEKNISKA DATA ①

VERKTYGSELEMENT ②

- A Klippskydd
- B Styrhandtag
- C Sladdhållare
- D Låshylsa
- E Teleskoprör
- F Strömbrytare
- G Klippbladsskydd
- H Knapp för trådmattning
- J Trädklippningsblad
- K Rullhätta
- L Ventilationsöppningar
- M Upphängningsskena (**skruvar medföljer inte**)
- N Upphängningskrok

SÄKERHET

SÄRSKILDA SÄKERHETSANVISNINGAR FÖR GRÄSTRIMMERS MED TRÅD

ALLMÄNT

- Bekanta dig med kontrollerna och rätt användning av verktyget
- Användaren ansvarar för olyckor eller faror som andra personer utsätts för inom hans/hennes fastighet
- Använd bara verktyget om omgivningstemperaturen är mellan 0 °C och 40 °C
- Montera aldrig klippelement av metall på det här verktyget

PERSONSÄKERHET

- Denna maskin får inte användas av barn eller personer med ett förståndshandikapp eller på annat sätt medsatt förmåga, såvida denna inte sker med överinseende av en vuxen person som ansvarar för personsäkerheten
- Barn får inte använda maskinen som leksak
- Låt aldrig barn eller personer som inte känner till drifts-anvisningarna använda verktyget

- **Håll fingrarna borta från trädsklippningsbladet som finns i klippskyddet**
- Håll händer och fötter borta från klipptrådar vid trimning, i synnerhet när verktyget startas
- Använd alltid ögonskydd, långbyxor och rejåla skor vid användning av verktyget
- Använd aldrig verktyget i närheten av personer, sluta använda verktyget när personer (i synnerhet barn) eller husdjur finns i närheten
- Använd aldrig verktyget om du är trött, sjuk, om du har druckit alkohol eller använt andra droger

ELEKTRISK SÄKERHET

- Kontrollera alltid att den tillförda strömtypen stämmer med spänningen som anges på maskinens märkplåt (maskiner med beteckningen 230V eller 240V kan även anslutas till 220V)
- Inspektera sladden med jämna mellanrum och låt den byta ut av en kvalificerad person den är skadad
- Kontrollera förlängningssladden regelbundet och byt den om den är skadad (**bristfälliga förlängningssladdar kan vara farliga**)
- Använd bara en förlängningssladd som är avsedd för användning utomhus och som är försedd med en vattentät kontakt
- Använd helt uttrulade och säkra förlängningssladdar med kapacitet på 16 A
- Om verktyget används i fuktiga miljöer ska en jordfelsbrytare användas med en brytström på högst 30 mA
- Kör inte över, kläm inte och dra inte i (förlängnings)sladden
- Skydda (förlängnings)sladden mot värme, olja och vassa kanter
- **Håll (förlängnings)sladden borta från de roterande klipptrådarna**
- Stäng alltid av verktyget och koppla bort kontakten från strömkällan om nätsladden eller förlängningssladden har skador, skador eller har trasslat sig (**vidrör inte sladden innan kontakten har kopplats bort**)

FÖRE ANVÄNDNINGEN

- Använd bara verktyget i dagsljus eller med tillräcklig konstbelysning
- Kontrollera före användning samt efter slag och stötar att maskinen fungerar ordentligt; eventuella skador måste repareras av en kvalificerad person (öppna aldrig verktyget själv)
- Före användning kontrollerar du klippområdet noggrant och tar bort alla föremål som verktyget kan slunga iväg vid trimning (t.ex. stenar, träbitar, osv.)

UNDER ANVÄNDNINGEN

- Använd ej maskinen om sladden är trasig; låt den byta ut av en kvalificerad person
- Använd aldrig verktyget med skadat klippskydd eller utan monterat klippskydd
- **Klipptrådarna fortsätter att rotera en kort stund efter att verktyget stängts av**
- Klipp inte gräs som inte växer på marken (t.ex. på väggar eller stenblock)
- Korsa inte vägar eller grusvägar om verktyget körs
- Bli inte distraherad och koncentrera dig alltid på det du gör

- Koppla alltid bort kontakten från strömkällan
 - när verktyget är obevakat
 - innan material som fastnat tas bort
 - innan verktyget kontrolleras, rengörs eller servas
 - efter att ha träffat ett främmande föremål
 - om verktyget börjar vibrera onormalt mycket
- Se alltid till att ventilationsöppningarna hålls fria från skräp

EFTER ANVÄNDNINGEN

- **Stäng alltid av verktyget och koppla bort kontakten från uttaget innan du gör justeringar, byter rullar, rengör eller lämnar verktyget obevakat under en tidsperiod**
- Förvara maskinen **inomhus** på torrt ställe utom räckhåll för barn

FÖRKLARING AV SYMBOLERNA PÅ VERKTYGET

- ③ **Varning!** Läs bruksanvisningen
- ④ Utsätt inte maskinen för regn
- ⑤ Använd skyddsglasögon
- ⑥ **Var medveten om risken för skador som orsakas av flygande skräp** (håll andra personer på ett säkert avstånd från arbetsområdet)
- ⑦ Dra alltid ur kontakten om (förlängnings)sladden skadas eller klipps av under arbetets gång
- ⑧ Dubbel isolering (ingen jordning krävs)

ANVÄNDNING

- Klippskydd ⑩
 - montera klippskyddet A enligt bilden med den medföljande skruven med rund skalle
 - ! **använd aldrig verktyget utan klippskydd A**
- Montera/justera styrhandtaget ⑪
 - montera styrhandtaget B enligt bilden med de 4 medföljande skruvarna
 - ! **dra åt alla 4 skruvarna stadigt**
- Sladdhållare ⑫
 - lägg förlängningssladdens slinga över hållaren C enligt bilden
 - dra åt för att fästa förlängningssladden
- Höjdjustering ⑬
 - Avsedd för justering av verktygets höjd så att underarmen är rak vid trimning
 - lossa låshylsan D ② genom att vrida den medurs
 - dra ut röret E ② till önskad höjd
 - dra åt låshylsan D ② genom att vrida den moturs
- Till/från ⑭
 - starta maskinen genom att trycka på strömbrytaren F
 - stäng av maskinen genom att släppa strömbrytaren F
 - ! **när verktyget har stängts av fortsätter klipprådarna att röra sig under några sekunder**
 - låt klipprådarna sluta rotera innan du startar igen
 - ! **du ska inte starta och stänga av i snabb följd**
- Trimning
 - ! **se till att det röda skyddet G ② tas bort från trädsklippningsbladet innan verktyget används**
 - ! **se till att klippområdet är fritt från stenar, skräp och andra främmande föremål**
 - ! **vänta tills verktyget körs med full hastighet innan du börjar trimma**
 - börja klippa nära eluttaget och förflytta dig bort från det under arbetets gång
 - klipp långt gräs i omgångar (börja alltid längst upp)

- trimma bara med klipprådens spets
- klipp inte fuktigt eller vått gräs
- förhindra att avklippt gräs sätter igen rullen (utför inga tunga klipparbeten)
- överbelasta inte verktyget
- klipp försiktigt runt träd och buskar så att de inte kommer i kontakt med klipprådarna
- håll verktyget borta från massiva föremål för att skydda klipprådarna mot alltför stort slitage
- var medveten om att verktyget trycks bakåt vid kontakt med massiva objekt
- Fattning och styrning av maskinen ⑮
 - vid klippning av långt gräs svänger du verktyget från höger åt vänster och vice versa
 - vid klippning av kortare gräs vinklar du verktyget enligt bilden
 - vrid verktyget 180° vid trimning av kanter
 - håll maskinen stadigt så att Du har full kontroll hela tiden
 - stå stadigt när du arbetar
 - håll alltid verktyget på avstånd från kroppen
- Trädmatning ⑯
 - tryck knappen H lätt mot marken (helst på en stadig yta) medan motorn körs
 - två klipprådare frigörs och klipps av vid rätt längd av trädsklippningsbladet J
 - ! **se till att det röda skyddet G ② tas bort från trädsklippningsbladet innan verktyget används**
 - ! **var försiktig så att du inte skadar dig på trädsklippningsbladet J**
 - efter trädmatning placerar du alltid verktyget i normalt driftsläge innan du startar det
 - mata fram tråden regelbundet för att bibehålla hela cirkelytan för klippning
 - om motorn körs utan belastning och inget gräs klipps är klipprådarna slitna eller skadade; spola tillbaka rullen eller byt rullsystemet
- Spola tillbaka rullen ⑰
 - Om klipprådarna inte sticker ut ur rullhättan K
 - ! **stäng av maskinen och dra ut sladden**
 - ta bort rullsystemet från verktyget och ta ut rullen ur rullhättan K
 - spola tillbaka båda klipprådarna jämnt och fast i pilens riktning
 - sätt i båda trådarna i rullöppningarna X och se till att de sitter ordentligt på plats (lämna tillräcklig längd på trådarna)
 - för båda trådarna genom rullhålen Y innan du placerar den tillbakaspolade rullen i rullhättan K
 - ! **se till att rullen sitter ordentligt på plats och frigör sedan båda trådarna från öppningarna X genom att dra stadigt i dem**
 - montera rullsystemet på verktyget (vrid rullen medurs tills den klickar på plats) ⑱
- Byta rullsystem ⑲
 - ! **stäng av maskinen och dra ut sladden**
 - ta bort/montera det gamla/nya rullsystemet enligt bilden
 - använd bara SKIL-rullsystem 2610Z01354 med det här verktyget (skador till följd av användning av andra rullsystem undantas från garantin)

- efter byte av rullsystem testkör du verktyget under minst en minut utan belastning för att säkerställa att verktyget fungerar på rätt sätt

UNDERHÅLL / SERVICE

- Det här verktyget är inte avsedd för yrkesmässig användning
- **Koppla alltid bort kontakten från uttaget före rengöring och/eller underhåll**
- Håll alltid din maskin och sladden ren (speciellt ventilationsöppningarna)
 - rengör verktyget med en fuktad trasa (använd inte rengörings- eller lösningsmedel)
 - rengör trådklippningsbladet J ② och klippskyddet A ② efter varje användning
 - rengör ventilationspringarna L ② regelbundet med en borste eller tryckluft
- Kontrollera regelbundet klipp huvudets skick och att muttrar, bultar och skruvar är ordentligt åtdragna
- Kontrollera regelbundet om det förekommer slitna eller skadade komponenter och reparera/byt dem vid behov
- Förvaring ①⑨
 - förvara maskinen **inomhus** på torrt ställe utom räckhåll för barn
 - montera upphängningsskenan på ett säkert sätt M på väggen med 4 skruvar (**medföljer inte**) med horisontell inriktning
- Om i elverktyget trots exakt tillverkning och sträng kontroll störning skulle uppstå, bör reparation utföras av auktoriserad serviceverkstad för SKIL elverktyg
 - sänd in verktyget i **odemonterat skick** tillsammans med inköpsbevis till försäljaren eller till närmaste SKIL serviceverkstad (adresser till servicestationer och sprängskisser av maskiner finns på www.skil.com)

FELSÖKNING

- På följande lista anges problemsymptom, tänkbara orsaker och avhjälpande åtgärder (om de inte identifierar och rättar till problemet kontaktar du en återförsäljare eller serviceverkstad)
 - ! **stäng av verktyget och dra ur kontakten innan problemet undersöks**
- ★ Verktyget fungerar inte
 - fel i eluttaget -> använd ett annat uttag
 - skadad förlängningssladd -> byt förlängningssladden
- ★ Verktyget fungerar då och då
 - defekta interna kopplingar -> kontakta återförsäljare/ serviceverkstad
 - defekt strömbrytare -> kontakta återförsäljare/ serviceverkstad
- ★ Verktyget vibrerar onormalt mycket
 - för högt gräs -> klipp stegvis
- ★ Verktyget klipper inte
 - tråden är för kort/har gått av -> mata tråd manuellt
- ★ Det går inte att mata tråd
 - tom rulle -> byt rulle
 - tråden har trasslat sig i rullen -> kontrollera rullen och spola tillbaka vid behov
- ★ Tråden klippas inte av i rätt längd -> ta bort skyddet från klippbladet

- ★ Tråden går sönder hela tiden
 - tråden har trasslat sig i rullen -> kontrollera rullen och spola tillbaka vid behov
 - trimmern används på fel sätt -> trimma bara med trådens spets, undvik stenar, väggar och andra hårda föremål och mata tråd regelbundet

MILJÖ

- **Elektriska verktyg, tillbehör och förpackning får inte kastas i hushållsoporna** (gäller endast EU-länder)
 - enligt direktivet 2012/19/EG som avser äldre elektrisk och elektronisk utrustning och dess tillämpning enligt nationell lagstiftning ska uttjänta elektriska verktyg sorteras separat och lämnas till miljövänlig återvinning
 - symbolen ⑨ kommer att påminna om detta när det är tid att kassera

FÖRSÄKRAN OM ÖVERENSSTÄMMELSE CE

- Vi försäkrar härmed under exklusivt ansvar att denna produkt som beskrivs i "Tekniska data" överensstämmer med följande normer eller normativa dokument: EN 60335, EN 61000, EN 55014 enligt bestämmelserna i direktiven 2006/95/EG, 2004/108/EG, 2006/42/EG, 2000/14/EG, 2011/65/EU
- **Teknisk tillverkningsdokumentation finns hos:** SKIL Europe BV (PT-SEU/ENG1), 4825 BD Breda, NL

Marijn van der Hoofden
Operations & Engineering

Olaf Dijkstra
Approval Manager




SKIL Europe BV, 4825 BD Breda, NL

19.12.2013

CE10

LJUD/VIBRATION

- Ljudtrycksnivån som uppmätts enligt EN 60335 är på denna maskin 70 dB(A) och ljudeffektnivån 90 dB(A) (standard deviation: 3 dB), och vibration <2,5 m/s² (hand-arm metod; onoggrannhet K = 1,5 m/s²)
 - Mätt enligt 2000/14/EG (EN/ISO 3744) är den garanterade ljudeffektnivån (LWA) lägre än 93 dB (A) (bedömningsmetod för överensstämmelse enligt bilaga VI)
- Anmält organ: KEMA, Arnhem, NL
ID-nummer för anmält organ: 0344
- Vibrationsemissionsvärdet har uppmätts enligt ett standardiserat test i enlighet med EN 60335; detta värde kan användas för att jämföra vibrationen hos olika verktyg och som en ungefärlig uppskattning av hur stor vibration användaren utsätts för när verktyget används enligt det avsedda syftet
 - om verktyget används på ett annat än det avsedda syftet eller med fel eller dåligt underhållna tillbehör kan detta drastiskt **öka** vibrationsnivån
 - när verktyget stängs av eller är på men inte används, kan detta avsevärt **minska** vibrationsnivån

! skydd dig mot vibration genom att underhålla verktyget och dess tillbehör, hålla händerna varma och styra upp ditt arbetssätt

DK

Græstrimmer

0730

INLEDNING

- Dette værktøj er beregnet til at slå græs og ukrudt under buske samt på skråninger og langs kanter, hvor der ikke kan bruges en plæneklipper
- Dette værktøj er ikke beregnet til professionelt brug
- Kontroller, om pakken indeholder alle dele som vist på illustrationen ②
- Kontakt venligst din forhandler, hvis dele mangler eller er beskadiget
- **Læs denne brugsanvisning omhyggeligt igennem, inden støvsugeren bruges, og gem brugsanvisningen til senere brug** ③
- **Vær særlig opmærksom på sikkerhedsinstruktionerne og advarselne; gøres dette ikke, kan det medføre alvorlige skader**

TEKNISKE DATA ①

VÆRKTØJETS DELE ②

- A Beskyttelsesskærm
- B Styregreb
- C Ledningsholder
- D Låsemuffe
- E Teleskopstang
- F Udløserkontakt
- G Dæksel til skæreklinge
- H Knap til fremføring af snor
- J Snoreskæreklinge
- K Spolehætte
- L Ventilationshuller
- M Opbevaringsskinne (**skruerne følger ikke med**)
- N Opbevaringskrog

SIKKERHED

SÆRLIGE SIKKERHEDSANVISNINGER TIL GRÆSTRIMMERE

GENERELT

- Gør dig bekendt med kontrollerne og den korrekte brug af værktøjet
- Brugeren er ansvarlig for ulykker eller farer, der kan forekomme i forhold til andre mennesker eller deres ejendom
- Værktøjet må kun anvendes, hvis den omgivende temperatur er mellem 0° C og 40° C
- Skæredede af metal på aldrig monteres på dette værktøj

PERSONLIG SIKKERHED

- Dette værktøj er ikke beregnet til brug for personer (herunder børn), der har nedsatte fysiske, sensoriske eller mentale evner eller mangel på erfaring og viden, med mindre disse personer er blevet givet instruktion og

supervision i brugen af værktøjet fra en person, som er ansvarlig for deres sikkerhed

- Børn må ikke lege med dette værktøj
- Lad aldrig børn eller personer, der ikke er bekendt med brugsanvisningen, bruge værktøjet
- **Hold fingrene på afstand af snoreskæreklingen, der befinder sig under beskyttelsesskærmen**
- Hold hænder og fødder på afstand af skæresnorene under beskæringen, og særligt når værktøjet tændes
- Anvend altid øjenbeskyttelse, lange bukser og solide sko, når du betjener værktøjet
- Værktøjet må ikke anvendes, når der er andre personer i nærheden; stop værktøjet, hvis der er andre personer (i særdeleshed børn) eller kæledyr i nærheden
- Hvis du er træt, syg eller påvirket af alkohol eller andre substanser, må du ikke betjene værktøjet

ELEKTRISK SIKKERHED

- Kontrollér altid at forsyningsspændingen er den samme som den spænding, der er anført på værktøjets navneskilt (værktøj med betegnelsen 230V eller 240V kan også tilsluttes til 220V)
- Undersøg ledningen med mellemrum og få det skiftet ud af en anerkendt fagmand, hvis den er beskadiget
- Kontrollér forlængerledningen med jævne mellemrum, og udskift den, hvis den er ødelagt (**defekte forlængerledninger kan være farlige**)
- Anvend kun en forlængerledning, der er egnet til udendørs brug og udstyret med et vandtæt stik og koblingsstikkontakt
- Anvend helt udrullede og sikre forlængerledninger med en kapacitet på 16 A
- Hvis værktøjet anvendes i fugtige omgivelser, skal der bruges en fejlstrømssikring (RCD) med en udløserstrøm på maks. 30 mA
- Gå ikke hen over ledningen, og lad være med at mase eller trække i (forlænger) ledningen
- Hold (forlænger) ledningen væk fra varme, olie og skarpe kanter
- **Sørg for at holde (forlænger-)ledningen væk fra de roterende skæresnore**
- Sluk altid for værktøjet og tag stikket ud af strømkilden, hvis der bliver skåret i strømledningen eller forlængerledningen eller hvis den bliver beskadiget eller viklet ind i noget (**rør ikke ved ledningen, før du har taget stikket ud**)

INDEN BRUG

- Brug kun værktøjet i dagslys, eller hvis der er tilstrækkeligt kunstigt lys
- Hver gang værktøjet tages i brug og efter eventuelle slag, skal man kontrollere dets funktion, og i tilfælde af en fejl, skal man omgående få værktøjet repareret af en kvalificeret person (man må aldrig selv åbne værktøjet)
- Før brug skal man grundigt inspicere det område, der skal beskæres, og fjerne eventuelle genstande, som værktøjet kan kaste afsted under beskæringen (som f.eks. sten og løse stykker træ)

UNDER BRUG

- Brug ikke værktøjet, hvis kablet er beskadiget; få det skiftet ud af en anerkendt fagmand
- Værktøjet må aldrig betjenes, hvis beskyttelsesskærmen er beskadiget eller ikke er monteret

- **Skæresnorene fortsætter med at dreje rundt få sekunder efter, at værktøjet er slukket**
- Brug ikke værktøjet til at slå græs, der ikke vokser på jorden (men f.eks. på vægge eller på klipper)
- Gå ikke over veje eller grusstier, mens værktøjet er tændt
- Lad dig ikke distrahere og koncentrer dig om dit arbejde
- Tag altid stikket ud af strømkilden
 - når du forlader værktøjet, så det er uden opsyn
 - før du fjerner materiale, der sidder fast
 - før du kontrollerer, rengør eller udfører arbejde på værktøjet
 - efter at have ramt et fremmedlegeme
 - hvis værktøjet begynder at vibrere unormalt
- Sørg altid for, at ventilationsåbningerne er fri for affald

EFTER BRUG

- **Sluk altid for værktøjet og tag stikket ud af strømkilden, før du foretager justeringer, skifter spole og rengør det, eller hvis du lader værktøjet være uden opsyn et stykke tid**
- Opbevar værktøjet **indendørs** på et tørt, aflåst sted, utilgængeligt for børn

FORKLARING TIL SYMBOLERNE PÅ VÆRKTØJET

- ③ **Advarsel!** Læs instruktionsmanualen
- ④ Udsæt ikke værktøjet for regn
- ⑤ Brug beskyttelsesbriller
- ⑥ **Vær opmærksom på den risiko for skade, der kan forårsages af flyvende affald** (andre personer skal befinde sig sikkert på afstand af arbejdsområdet)
- ⑦ Tag omgående stikket på (forlænger) ledningen ud af stikkontakten, hvis ledningen er defekt eller skåret igennem under arbejdet
- ⑧ Dobbelt isolering (jordforbindelse unødvendig)

BETJENING

- Beskyttelsesskærm ⑩
 - monter beskyttelsesskærmen A som vist med de medfølgende skruer med runde hoveder
 - ! **brug aldrig værktøjet uden beskyttelsesskærmen A**
- Montering/justering af styregrebet ⑪
 - monter styregrebet B som vist med de 4 medfølgende skruer
 - ! **stram alle 4 skruer**
- Ledningsholder ⑫
 - lav en løkke med forlængerledningen, og sæt den over holderen C som vist på billedet
 - stram forlængerledningen, så den sidder fast
- Højdejustering ⑬
 - Til justering af værktøjshøjden, så din forreste arm er lige under beskæringen
 - løsør låsemuffen D ② ved at dreje den med uret
 - træk stangen E ② til den ønskede højde
 - stram låsemuffen D ② ved at dreje den mod uret
- Tænd/sluk ⑭
 - tænd værktøjet ved at trykke på udløserkontakt F
 - sluk værktøjet ved at slippe udløserkontakten F
 - ! **når værktøjet er slukket, fortsætter skæresnorene med at rotere i nogle få sekunder**
 - lad skæresnorene stoppe rotationen, før du tænder igen
 - ! **lad være med at tænde og slukke hurtigt efter hinanden**

- Græstrimming
 - ! **kontroller, at det røde dæksel G ② er fjernet fra snoreskæreklingen, før du betjener værktøjet**
 - ! **kontroller, at der ikke er sten, affald eller andre fremmedlegemer på det område, der skal beskæres**
 - ! **påbegynd kun trimningen, hvis værktøjet kører ved fuld hastighed**
 - begynd at klippe i nærheden af hovedstikket, og bevæg dig væk, mens du arbejder
 - græs skal slås i flere lag (start altid oppefra)
 - trimning må kun udføres med spidsen af skæresnoren
 - fugtigt eller vådt græs må ikke beskæres
 - sørg for, at det beskårne græs ikke stopper spolen (lad være med at foretage tunge beskæringer)
 - overbelast ikke værktøjet
 - omkring træer og buske skal du udføre beskæringen forsigtigt, så de ikke kommer i kontakt med skæresnorene
 - værktøjet skal holdes på afstand af solide genstande for at beskytte skæresnorene mod overdreven slid
 - vær opmærksom på det bagslag, der kan opstå, hvis værktøjet kommer i kontakt med solide genstande
- Håndtering og styring af værktøjet ⑮
 - for langsomt at slå langt græs skal du svinge værktøjet fra højre til venstre og tilbage igen
 - for at slå kortere græs skal du vinkle værktøjet som vist på illustrationen
 - drej værktøjet 180° for at trimme kanter
 - hold om værktøjet med et fast greb, således at De til enhver tid har kontrol over værktøjet
 - oprethold en stabil arbejdsstilling
 - sørg altid for at holde værktøjet på afstand af kroppen
- Snorfremføring ⑯
 - tryk knappen H let mod jorden (helst mod en solid genstand), mens motoren kører
 - der vil blive fremført to skæresnore, som bliver skåret af i den rette længde af snoreskæreklingen J
 - ! **kontroller, at det røde dæksel G ② er fjernet fra snoreskæreklingen, før du betjener værktøjet**
 - ! **pas på, at du ikke kommer til skade med snoreskæreklingen J**
 - når snoren er blevet ført frem, skal værktøjet sættes tilbage til normal driftsposition, før det tændes
 - snorene skal føres frem med regelmæssige mellemrum for at bevare en fuldstændig skærecirkel
 - hvis motoren kører uden belastning og der ikke beskæres græs, vil skæresnorene blive slidt eller gå i stykker; træk dem ind i spolen eller udskift spolesystemet
- Tilbagekørsel af spolen ⑰
 - Hvis skæresnorene ikke kommer frem under spolehætten K
 - ! **sluk værktøjet og træk stikket ud af stikkontakten**
 - fjern spolesystemet fra værktøjet og tag spolen ud fra spolehætten K
 - spol begge skæresnore stramt ensartet tilbage i lag i pilens retning
 - sæt begge snore i spoleåbningerne X og kontroller, at de sidder sikkert fast (lad der være tilstrækkeligt med snorlængde)

- før begge snore gennem spolehullerne Y, før du placerer den tilbagespølede spole i spolehætten K
- ! **kontroller, at spolen sidder sikkert fast og frigør begge snore fra åbningerne X ved at trække hårdt i dem**
- monter spolesystemet på værktøjet (**drej spolen med uret, til den klikker på plads**) ¹⁸
- Udskiftning af spolesystemet ¹⁸
 - ! **sluk værktøjet og træk stikket ud af stikkontakten**
 - fjern/monter det gamle/nye spolesystem som vist på illustrationen
 - brug kun SKIL-spolesystemet 2610Z01354 med dette værktøj (**skader forårsaget af brugen af andre spolesystemer er ikke dækket af garantien**)
 - efter udskiftning af spolesystemet skal værktøjet testkøres uden belastning i mindst ét minut for herved at sikre, at værktøjet fungerer korrekt

VEDLIGEHOLDELSE/SERVICE

- Dette værktøj er ikke beregnet til professionelt brug
- **før rengøring og/eller vedligeholdelse skal stikket altid tages ud af strømkilden**
- Hold værktøjet og ledningen ren (især ventilationshullerne)
 - rengør værktøjet med en fugtig klud (brug ikke rengøringsmidler eller opløsningsmidler)
 - rengør snoreskæreklingen J ² og beskyttelsesskærmen A ² hver gang efter brug
 - rengør regelmæssigt ventilationsåbningerne L ² med en børste eller trykluft
- Kontrollér regelmæssigt skærehovedets tilstand samt at møtrikker, bolte og skruer sidder fast
- Kontrollér regelmæssigt for slidte eller ødelagte komponenter, og få dem repareret/udskiftet ved behov
- Opbevaring ¹⁹
 - opbevar værktøjet **indendørs** på et tørt, aflåst sted, utilgængeligt for børn
 - monter omhyggeligt opbevaringsskinnen M på væggen med 4 skruer (**følger ikke med**), og justér den vandret
- Skulle el værktøjet trods omhyggelig fabrikation og kontrol holde op med at fungere, skal reparationen udføres af et autoriseret serviceværksted for SKIL-elektroværktøj
 - send den **uskilte** værktøjet sammen med et købsbevis til forhandleren eller nærmeste SKIL serviceværksted (adresser og reservedelstegning af værktøjet findes på www.skil.com)

FEJLFINDING

- Den følgende liste viser problemsymptomer, mulige grunde samt afhjælpningsaktiviteter (hvis du ikke kan finde årsagen og rette problemet, bedes du kontakte forhandleren eller serviceværkstedet)
 - ! **sluk for værktøjet, og tag stikket ud, før du begynder at lede efter problemet**
- ★ Værktøjet virker ikke
 - fejl i strømforsyningsstikket -> brug et andet stik
 - forlængerledning ødelagt -> udskift forlængerledningen

- ★ Værktøjet fungerer uregelmæssigt
 - intern ledningsdefekt -> kontakt forhandleren/serviceværkstedet
 - on/off kontakt defekt -> kontakt forhandleren/serviceværkstedet
- ★ Værktøjet vibrerer unormalt
 - græsset er for højt -> slå det i flere faser
- ★ Værktøjet skærer ikke
 - snoren er for kort/knækket af -> fremfør snoren manuelt
- ★ Snoren kan ikke føres frem
 - spolen er tom -> udskift spolen
 - snoren er viklet ind i sig selv inde i spolen -> kontroller spolen; spol den om nødvendigt tilbage
- ★ Snoren skæres ikke af i den rette længde -> fjern dækslet fra skæreklingen
- ★ Snoren bliver ved med at knække
 - snoren er viklet ind i sig selv inde i spolen -> kontroller spolen; spol den om nødvendigt tilbage
 - trimmeren bruges forkert -> trim kun med spidsen af snoren; undgå sten, vægge og andre hårde genstande; før snoren regelmæssigt frem

MILJØ

- **Elværktøj, tilhører og emballage må ikke bortskaffes som almindeligt affald** (kun for EU-lande)
 - i henhold til det europæiske direktiv 2012/19/EF om bortskaffelse af elektriske og elektroniske produkter og gældende national lovgivning, skal brugt elværktøj indsamles separat og bortskaffes på en måde, der skåner miljøet mest muligt
 - symbolet ⁹ erindrer dig om dette, når udskiftning er nødvendig

OVERENSSTEMMELSESERKLÆRING

CE

- Vi erklærer under almindeligt ansvar, at det produkt, der er beskrevet under "Tekniske data", er i overensstemmelse med følgende standarder eller normative dokumenter: EN 60335, EN 61000, EN 55014 i henhold til bestemmelserne i direktiverne 2006/95/EF, 2004/108/EF, 2006/42/EF, 2000/14/EF, 2011/65/EU
- **Teknisk dossier hos:** SKIL Europe BV (PT-SEU/ENG1), 4825 BD Breda, NL

Marijn van der Hoofden
Operations & Engineering

Olaf Dijkgraaf
Approval Manager




SKIL Europe BV, 4825 BD Breda, NL

19.12.2013

CE10

STØJ/VIBRATION

- Måles efter EN 60335 er lydtrykniveau af dette værktøj 70 dB(A) og lydeffektniveau 90 dB(A) (standard deviation: 3 dB), og vibrationsniveauet <2,5 m/s² (hånd-arm metoden; usikkerhed K = 1,5 m/s²)

- Måles etter 2000/14/EF (EN/ISO 3744) er det garanterede ydeffektniveau LWA mindre end 93 dB(A) (producerer for overensstemmelsesvurdering iht. bilag VI)

Underrettet myndighet: KEMA, Arnhem, NL

Identifikasjonsnummer for underrettet myndighet: 0344

- Det vibrationsnivåu er målt i henhold til den standardiserte test som anført i EN 60335; den kan benyttes til at sammenligne to stykker værktøj og som en foreløbig bedømmelse af udsættelsen for vibrationer, når værktøjet anvendes til de nævnte formål
 - anvendes værktøjet til andre formål eller med andet eller dårligt vedligeholdt tilbehør, kan dette **øge** udsættelsesnivåuet betydeligt
 - de tidsrum, hvor værktøjet er slukket, eller hvor det kører uden reelt at udføre noget arbejde, kan **reducere** udsættelsesnivåuet betydeligt
- ! **beskyt dig selv imod virkningerne af vibrationer ved at vedligeholde værktøjet og dets tilbehør, ved at holde dine hænder varme og ved at organisere dine arbejdsmønstre**

N

Linjetrimmer

0730

INTRODUKSJON

- Dette verktøyet er beregnet på å klippe gress og ugress under busker, så vel som i hellingar og kanter som ikke kan nås med plenklipper
- Dette verktøyet er ikke beregnet på profesjonell bruk
- Se etter at emballasjen inneholder alle deler, som vist på tegningen ②
- Ta kontakt med forhandleren når deler mangler eller er skadet
- **Les denne instruksjonen nøye før bruk, og ta vare på den for fremtidig bruk** ③
- **Gjør deg spesielt godt kjent med sikkerhetsveiledningene og advarslene; hvis du unnlater å følge dem, kan du risikere alvorlige skader**

TEKNISKE DATA ①

VERKTØYELEMENTER ②

- A Kuttevern
- B Føringshåndtak
- C Ledningsfeste
- D Låsemuffe
- E Teleskoprør
- F Utløsningsbryter
- G Deksel til saksbladene
- H Knapp for linjemating
- J Linjesaksblad
- K Spoledeksel
- L Ventilasjonsåpninger
- M Oppbevaringsskinne (skrue følger ikke med)
- N Oppbevaringskrok

SIKKERHET

SPESIFIKKE SIKKERHETSINSTRUKSJONER FOR LINJETRIMMERE

GENERELL

- Gjør deg kjent med kontrollene og riktig bruk av verktøyet
- Brukeren er ansvarlig for ulykket eller farer som skjer med andre mennesker eller deres eiendom
- Bruk verktøyet bare når omgivelsestemperaturen er mellom 0 °C og 40 °C
- Monter aldri skjærelementer av metall på dette verktøyet

PERSONSIKKERHET

- Dette verktøyet må ikke brukes av barn eller personer med fysiske eller sansemessige handicap, eller som er mentalt tilbakestående, eller mangler erfaring og kunnskaper, med mindre de er under tilsyn og får opplæring i bruk av verktøyet av en person som er ansvarlig for sikkerheten deres
- Sørg for at barn ikke får anledning til å leke med verktøyet
- La aldri barn eller personer som ikke er kjent med bruksanvisningene, bruke verktøyet
- **Hold fingrene borte fra linjesaksbladet som er integrert i kuttevernet**
- Hold hender og føtter borte fra kuttelinjene når du trimmer, spesielt når du slår på verktøyet
- Bruk alltid vernebriller, langbukser og solide sko når du bruker dette verktøyet
- Bruk aldri verktøyet i nærheten av personer; slutt å bruke det når personer (spesielt barn) eller kjæledyr er i nærheten
- Bruk aldri verktøyet når du er trett, syk eller under påvirkning av alkohol eller andre legemidler

ELEKTRISK SIKKERHET

- Sjekk alltid at tilført spenningen er den samme som oppgitt på verktøyets merkeplate (verktøy som er betegnet med 230V eller 240V kan også koples til et 220V strømuttak)
- Sjekk ledningen regelmessig, og få den skiftet ud af en anerkendt fagmand hvis skadd
- Inspiser skjøteledningen med jevne mellomrom og skift den hvis den er skadet (**det kan være farlig å bruke uegnede skjøteledninger**)
- Bruk bare skjøteledninger som er beregnet for bruk utendørs og som er utstyrt med vannett stikk-kontakt
- Bruk helt utrullet og sikker skjøteledning med en kapasitet på 16 A
- Når verktøyet brukes i fuktige miljøer, bruk en reststrømenhet (RCD) med utløsningsstrøm på maks. 30 mA
- Ikke kjør over, knuse eller trekke i (skjøte-)ledningen
- Beskytt (skjøte-)ledningen mot varme, olje og skarpe kanter
- **Hold (skjøte)ledningen borte fra de roterende skjærelinjene**
- Slå alltid av verktøyet og trekk ut støpset fra strømkilden hvis strømledningen eller skjøteledningen kuttet over, skades eller sammenfiltres (**ikke rør ledningen før du trekker du støpset**)

FØR BRUK

- Bare bruk verktøyet i dagslys eller med egnet kunstig belysning
- Sjekk at verktøyet er i funksjonell stand før det tas i bruk og etter støt; hvis verktøyet er defekt, skal det alltid repareres av fagfolk (du må aldri åpne verktøyet selv)
- Før bruk må områder der du klipper inspiseres grundig; alle gjenstander må fjernes som verktøyet kan komme borti under klipping (f.eks. steiner, løse trebiter, osv.)

UNDER BRUK

- Bruk ikke verktøyet dersom kabel er skadet; få den skiftet ud af en anerkendt fagmand
- Bruk aldri verktøyet med skadet kuttevern eller uten at kuttevernet er montert
- **Skjærelinjene fortsetter å rotere en kort stund etter at verktøyet er slått av**
- Ikke klipp gress som ikke er på bakken (f.eks. på vegger eller steiner)
- Ikke kryss veier eller grusstier når verktøyet fortsatt er i gang
- Ikke bli distrauert og konsentrer alltid på det du gjør
- Ta alltid ut støpselet fra strømkilden
 - når verktøyet forlades uten tilsyn
 - før du fjerner materiale som har satt seg fast
 - før du sjekker, rengjør eller arbeider med verktøyet
 - etter at du har truffet en fremmed gjenstand
 - når verktøyet begynner å vibrere unormalt
- Pass alltid på at ventilasjonsåpninger er frie for restmaterialer

ETTER BRUK

- **Slå alltid av verktøyet og trekk ut støpselet fra strømkilden før du foretar justeringer, endrer spoler, rengjør eller lar verktøyet stå uten tilsyn i en periode**
- Verktøyet skal oppbevares **innendørs** på et tørt sted hvor det er låst inne og er utlignelig for barn

FORKLARING AV SYMBOLER PÅ VERKTØY

- ③ **Advarsel!** Les instruksjonshåndboken
- ④ Ikke utsett verktøyet for regn
- ⑤ Bruk beskyttelsesbriller
- ⑥ **Vær oppmerksom på risikoen for skade som følge av restmaterialer som kastes ut** (hold avstand til forbipasserende)
- ⑦ Trekk straks ut støpselet hvis (skjøte-)ledningen er skadet eller kuttet over under arbeid
- ⑧ Dobbeltisolert (ikke nødvendig med jordingsleder)

BRUK

- Kuttevern ⑩
 - monter kuttevernet A som vist med det runde hodeskruet levert
 - ! bruk aldri verktøyet uten kuttevern A**
- Montere/justere føringshåndtaket ⑪
 - monter føringshåndtak B som vist, med 4 skruer som følger med
 - ! stram de 4 skruene grundig**
- Ledningsfeste ⑫
 - hekt løkken i skjøteledningen over feste C som vist
 - trekk stramt for å feste skjøteledningen
- Høydejustering ⑬
 - For å justere verktøyhøyden så armen foran er rett ved klipping
 - løsne på låsemuffen D ② ved å dreie med klokken

- trekk ut røret E ② til ønsket høyde
- stram på låsemuffen D ② ved å dreie mot klokken
- Av/på ⑭
 - slå på verktøyet ved å trykke på utløserbryteren F
 - slå av verktøyet ved å slippe utløserbryteren F
 - ! når du har slått av verktøyet, fortsetter knivene å bevege seg i noen sekunder**
 - la kuttelinjene slutte å rotere før du slår det på igjen
 - ! ikke slå raskt av og på**
- Trimme
 - ! pass på at det røde dekelet G ② er fjernet fra linjekuttesaksen før du tar verktøyet i bruk**
 - ! pass på at kutteområdet er fritt for steiner, rester og andre fremmede gjenstander**
 - ! begynn å klippe bare når verktøyet kjører ved full hastighet**
 - begynn å klippe i nærheten av strømmuttaket og flytt deg i retning bort fra den når du jobber
 - klipp langt gress lagvis (begynn alltid ovenfra)
 - klipp bare med spissen på kuttelinjen
 - ikke klipp fuktig eller vått gress
 - unngå at klippet gress stopper til spolen (ikke klipp for mye om gangen)
 - ikke overbelast verktøyet
 - klipp forsiktig rundt trær og busker, slik at de ikke kommer i kontakt med skjærelinjene
 - hold verktøyet borte fra solide gjenstander for å beskytte kuttelinjene mot for høy slitasje
 - vær klar over tilbakeslaget som skjer når du treffes solide gjenstander
- Grep og styring av verktøyet ⑮
 - for å klippe gress langsomt, sving verktøyet fra høyre til venstre og motsatt
 - for å klippe kortere gress, vipp verktøyet som vist
 - drei verktøyet 180 ° for å klippe kanter
 - hold verktøyet godt fast slik at du alltid har full kontroll over verktøyet
 - oppretthold en stabil arbeidsposisjon
 - hold verktøyet alltid godt unna kroppen din
- Linjemating ⑯
 - berør knappen H lett på bakken (helst på et solid underlag) når motoren er i gang
 - to kuttelinjer vil bli avgitt, og klipp til riktig lengde med linjeskjærebladet J
 - ! pass på at det røde dekelet G ② er fjernet fra linjekuttesaksen før du tar verktøyet i bruk**
 - ! vakt deg for skade som følge av linjeskjærebladet J**
 - etter linjemating, still verktøyet alltid tilbake til normal driftsposisjon før du slår den på
 - mat linjene regelmessig for å opprettholde hele kuttесirkelen
 - når motoren kjører uten last og det ikke er klippet noe gress, er kuttelinjene slitt eller ødelagt; spol spolen tilbake eller bytt ut spolesystemet
- Spole spolen tilbake ⑰
 - Hvis kuttelinjene ikke stikker ut av spoledekelet K
 - ! slå av verktøyet og trekk støpslet ut av kontakten**
 - fjern spolesystemet fra verktøyet og ta ut spolen fra spoledekelet K
 - spol begge kuttelinjer stramt tilbake lagvis i pilens retning

- sett inn begge linjer i spoleåpningene X og pass på at de sitter godt på plass (gi tilstrekkelig lang linje)
- tre begge linjer gjennom spolehull Y før du plasserer den tilbakespolte spolen i spoledekselet K
- ! **sorg for at spolen sitter godt på plass; slipp deretter begge linjer fra åpningene X ved å trekke hardt i dem**
- monter spolesystemet på verktøyet (**roter spolen med urviseren til den klikker på plass**) ⑩
- Bytte spolesystem ⑪
- ! **slå av verktøyet og trekk støpslet ut av kontakten**
- bare fjern/monter gammelt/nytt spolesystem som vist
- bruk bare SKIL-spolesystem 2610Z01354 med dette verktøyet (**garantien vil ikke gjelde for skader som skyldes bruk av andre spolesystemer**)
- etter at spolesystemet er byttet ut, testkjør verktøyet i minst ett minutt uten last, for å sikre at verktøyet fungerer som det skal

VEDLIKEHOLD / SERVICE

- Dette verktøyet er ikke beregnet på profesjonell bruk
- **Koble alltid støpselet fra strømkilden før rengjøring og/eller vedlikehold**
- Hold alltid verktøyet og kabelen ren (spesielt ventilasjonshullene)
 - Rengjør verktøyet med en fuktig klut (ikke bruk rengjøringsmidler eller løsningsmidler).
 - rengjør linjekuttebladet J ② og kuttevernet A ② etter bruk
 - rengjør ventilasjonsåpningene L ② regelmessig med en børste eller trykkluft
- Sjekk regelmessig tilstanden til kuttehodet og at bladboltene sitter godt fast
- Kontroller regelmessig for slitte eller skadde komponenter og få dem reparert/skiftet ved behov
- Oppbevaring ⑬
 - verktøyet skal oppbevares **innendørs** på et tørt sted hvor det er låst inne og er utilgjengelig for barn
 - fest oppbevaringsskinnen godt M til veggen med 4 skruer (**følger ikke med**) og påse at den er i vater horisontalt
- Hvis elektroverktøyet til tross for omhyggelige produksjons- og kontrollmetoder en gang skulle svikte, må reparasjonen utføres av et autorisert serviceverksted for SKIL-elektroverktøy
 - send verktøyet i **montert** tilstand sammen med kjøpebevis til forhandleren eller nærmeste SKIL servicesenter (adresser liksom service diagram av verktøyet finner du på www.skil.com)

FEILSØKING

- Følgende liste viser problemsymptomer, mulige årsaker og korrigerende tiltak (hvis ikke disse identifiserer og utbedrer problemet, ta kontakt med forhandler eller serviceavdeling).
 - ! **slå av verktøyet og ta ut støpselet før du undersøket hva problemet er**
- ★ Verktøyet virker ikke
 - defekt strømkontakt -> bruk et annet uttak
 - skjoteledning skadet -> skift skjoteledningen

- ★ Verktøyet virker ujevnt
 - innvendig krets defekt -> kontakt forhandler/ serviceavdeling
 - av/på-bryter defekt -> kontakt forhandler/ serviceavdeling
- ★ Verktøyet vibrerer unormalt mye
 - gress for høyt -> klipp i etapper
- ★ Verktøyet kutter ikke
 - linje for kort/brukket av -> mat ut linjen manuelt
- ★ Linjen kan ikke mates
 - spolen er tom -> bytt spole
 - linje viklet i spolen -> inspiser spolen, spol tilbake om nødvendig
- ★ Linjen er ikke kuttet til riktig lengde -> fjern dekelet fra kuttebladet
- ★ Linjen brytes ikke
 - linje viklet i spolen -> inspiser spolen, spol tilbake om nødvendig
 - trimmer brukt feil -> trim bare med spissen på linjen; unngå steiner, vegger og andre harde gjenstander; mat ledningen kontinuerlig

MILJØ

- **Kast aldri elektroverktøy, tilbehør og emballasje i husholdningsavfallet** (kun for EU-land)
 - i henhold til EU-direktiv 2012/19/EF om kasserte elektriske og elektroniske produkter og direktivets iverksetting i nasjonal rett, må elektroverktøy som ikke lenger skal brukes, samles separat og returneres til et miljøvennlig gjenvinningsanlegg
 - symbolet ⑭ er påtrykt som en påminnelse når utskifting er nødvendig

SAMSVARERKLÆRING CE

- Vi erklærer som eneansvarlig at produktet som beskrives under "Tekniske data" stemmer overens med følgende normer eller normative dokumenter: EN 60335, EN 61000, EN 55014 jf. bestemmelsene i direktivene 2006/95/EF, 2004/108/EF, 2006/42/EF, 2000/14/EF, 2011/65/EU
- **Tekniske underlag hos:** SKIL Europe BV (PT-SEU/ENG1), 4825 BD Breda, NL

Marijn van der Hoofden
Operations & Engineering

Olaf Dijkgraaf
Approval Manager

SKIL Europe BV, 4825 BD Breda, NL

19.12.2013

CE10

STØY/VIBRASJON

- Målt ifølge EN 60335 er lydtryknivået av dette verktøyet 70 dB(A) og lydstyrkenivået 90 dB(A) (standard deviasjon: 3 dB), og vibrasjonsnivået <2,5 m/s² (hånd-arm metode; usikkerhet K = 1,5 m/s²)

- Målt ifølge 2000/14/EF (EN/ISO 3744) er garantert lydstyrkenivået LWA lavere enn 93 dB(A) (samsvarsbedømmelsesmetode jf. vedlegg VI) Anmeldt organ: KEMA, Arnhem, NL ID-nummer hos anmeldt organ: 0344
 - Det avgitte vibrasjonsnivået er blitt målt i samsvar med en standardisert test som er angitt i EN 60335; den kan brukes til å sammenligne et verktøy med et annet, og som et foreløpig overslag over eksponering for vibrasjoner ved bruk av verktøyet til de oppgavene som er nevnt
 - bruk av verktøyet til andre oppgaver, eller med annet eller mangelfullt vedlikeholdt utstyr, kan gi en vesentlig **økning** av eksponeringsnivået
 - tidsrommene når verktøyet er avslått eller når det går men ikke arbeider, kan gi en vesentlig **reduksjon** av eksponeringsnivået
- ! beskytt deg selv mot virkningene av vibrasjoner ved å vedlikeholde verktøyet og utstyret, holde hendene varme og organisere arbeidsmåten din**

FIN

Siimaleikkuri

0730

ESITTELY

- Tämä työkalu on tarkoitettu ruohon ja rikkaruohojen leikkaamiseen pensaiden alta sekä rinteistä ja reunoista, joihin ei pääse ruohonleikkurilla
- Tämä työkalua ei ole tarkoitettu ammattikäyttöön
- Varmista, että pakkaus sisältää kaikki osat, jotka näkyvät piirroksessa ②
- Jos osia puuttuu tai on vioittunut, ota yhteyttä jälleenmyyjään
- Lue tämä ohjekirja huolella ennen käyttöä ja pidä se tallella tulevia tarpeita varten** ③
- Kiinnitä erityistä huomiota turvallisuutta koskeviin ohjeisiin ja varoituksiin; näiden laiminlyönti voi aiheuttaa vakavan vaurioitumisen**

TEKNISET TIEDOT ①

LAITTEEN OSAT ②

- A Leikkuusuojaja
- B Ohjaukahva
- C Johtosuojus
- D Lukitussholkki
- E Teleskooppiputki
- F Kytkin
- G Leikkuuterän suojus
- H Siimansyöttöpainike
- J Siimankatkaisuterä
- K Kelan suojus
- L Ilmanvaihto-aukot
- M Säilytyskisko (ei ruuveja mukana)
- N Säilytyskoukku

TURVALLISUUS

ERITYISIÄ TURVAOHJEITA SIIMALEIKKUREIDEN KÄYTTÖÖN

YLEISTÄ

- Varmista, että osaat varmasti ohjata työkalua ja käyttää sitä asianmukaisesti
- Käyttäjä vastaa tapaturmista tai vaaratilanteista, joita aiheutuu muille ihmisille tai heidän omaisuudelleen
- Käytä työkalua vain, kun ympäristön lämpötila on 0 - 40°C
- Älä koskaan kiinnitä tähän työkaluun metallisia leikkuuosia

HENKILÖTURVALLISUUS

- Tätä työkalua ei ole tarkoitettu henkilöiden käyttöön (mukaan lukien lapset), joiden fyysinen, sensorinen tai henkinen viireys on rajoittunut tai joilla ei ole kokemusta tai tietämystä, ellei heidän turvallisuudestaan vastaava henkilö ole antanut heille ohjausta tai koulutusta työkalun käytössä
- Varmista, etteivät lapset leiki laitteella
- Älä koskaan anna lasten tai muiden käyttöohjeita tuntemattomien käyttäjä työkalua
- Pidä sormesi poissa leikkuusuojukseen kuuluvasta siimankatkaisuterästä**
- Pidä kädet ja jalat poissa leikkuusiimojen läheltä leikatessasi, etenkin työkalua käynnistäessäsi
- Käytä aina suojalaseja, pitkiä housuja ja tukevia kenkiä työkalulla työskennellessäsi
- Älä koskaan käytä työkalua ihmisten välittömässä läheisyydessä; keskeytä sen käyttö, kun lähellä on ihmisiä (etenkin lapsia) tai lemmikkieläimiä
- Älä koskaan käytä työkalua ollessasi väsynyt, sairas tai alkoholin tai lääkkeiden vaikutuksen alainen

SÄHKÖTURVALLISUUS

- Tarkista aina, että syöttöjännite on sama kuin työkalun nimilaatan osoittama jännite (työkalut, joiden jännitetaso on 230V tai 240V, voidaan kytkeä myös 220V tason jännitteeseen)
- Tarkasta johto ajoittain ja vaan toimita se valtuutettuun huoltoliikkeeseen, kun johto on vioittunut
- Tarkista jatkojohto säännöllisesti ja vaihda se, jos se on vioittunut (**vialliset jatkojohdot voivat olla vaarallisia**)
- Käytä vain sellaista ulkona käytettävää jatkojohtoa, joka on varustettu vesitiiviillä pistokkeella ja liittimellä
- Käytä täysin rullaamattomia ja turvallisia jatkejohtoja, joiden kapasiteetti on 16 ampeeria
- Kun käytät työkalua kosteassa ympäristössä, käytä vikavirtakytintä (RCD), jonka laukaisuvirta on enintään 30 mA
- Älä juokse (jatko)johdon yli, murskaa sitä tai vedä siitä
- Pidä (jatko)johto poissa lämpölähteiden, öljyn ja terävien reunojen läheltä
- Pidä (jatko)johto poissa pyörivien leikkuusiimojen läheltä**
- Katkaise työkalusta aina virta ja irrota pistoke virtalähteestä, jos virtajohto tai jatkojohto katkeaa, vaurioituu tai jää jumiin (**älä koske johtoon ennen pistokkeen irrottamista**)

ENNEN KÄYTTÖÄ

- Käytä työkalua ainoastaan päivänvalossa tai riittävässä keinovalaistuksessa
- Tarkista työkalun toiminta aina ennen sen käyttöä, ja jos työkalu osuu johonkin ja siitä aiheutuu vika, anna se välittömästi ammattitaitoisen henkilön korjattavaksi (älä koskaan itse avaa työkalua)
- Tarkasta ennen käyttöä leikkuualue huolellisesti ja poista esineet, joihin työkalu voi osua leikkuutyön aikana (esim. kivet, irralliset puunkappaleet jne.)

KÄYTÖN AIKANA

- Älä käytä työkalua, kun johto on vioittunut; vaan toimita se valtuutettuun huoltooliikkeeseen
- Älä koskaan käytä työkalua, jos leikkuusuojus on vaurioitunut tai se ei ole paikallaan
- **Kun työkalu on kytketty pois päältä, leikkuusiimat pyörivät vielä vähän aikaa**
- Älä leikkaa ruohoa muualta kuin maasta (esim. seinistä tai kivistä)
- Älä ylitä teitä tai hiekkapolkuja työkalun ollessa vielä käynnissä
- Älä anna minkään häiritä työtäsi vaan keskity siihen, mitä teet
- Irrota aina pistoke virtalähteestä
 - kun työkalu jää valvomatta
 - ennen tukoksen muodostaneen materiaalin poistamista
 - ennen työkalun tarkistamista, puhdistusta tai käyttöä
 - jos osut vieraaseen esineeseen
 - jos työkalu alkaa tärinä normaalisti poikkeavalla tavalla
- Varmista aina, ettei tuuletusaukoissa ole roskia

KÄYTÖN JÄLKEEN

- **Katkaise työkalusta aina virta ja irrota pistoke virtalähteestä ennen säätöjen tekemistä, kelojen vaihtamista, työkalun puhdistusta tai sen jättämistä valvomatta lyhyeksikään ajaksi**
- Säilytä työkalu **sisätiloissa** kuivassa ja lukitussa paikassa lasten ulottumattomissa

TYÖKALUN SYMBOLIEN SELITYKSET

- ③ **Varoituis!** Lue käyttöohje
- ④ Suojele työkalua sateelta
- ⑤ Käytä suojalaseja
- ⑥ **Huomioi lentävistä roskista johtuva loukkaantumiseriski** (pidä sivulliset turvallisen matkan päässä työskentelyalueelta)
- ⑦ Irrota pistoke heti pistorasiasta, jos (jatko)johto on vaurioitunut tai katkeaa työskentelyn aikana
- ⑧ Kaksoiseristys (ei tarvita maaajohtoa)

KÄYTTÖ

- Leikkuusuojaa ⑩
 - asenna leikkuusuojus A kuvan mukaan mukana tulleella pyöreäkantisella ruuvilla
 - ! **älä koskaan käytä työkalua ilman leikkuusuojaa A**
- Ohjauskahvan asennus/säätäminen ⑪
 - asenna ohjauskahva B kuvan mukaisesti mukana tulleilla 4 ruuvilla
 - ! **kiristä tukevasti kaikki 4 ruuvia**
- Johtosuojus ⑫
 - ripusta jatkojohdon silmukka suojuksen yläpuolelle C kuten kuvassa
 - varmista jatkojohdon kiinnitys vetämällä se tiukalle

- Korkeussäätö ⑬
 - Työkalun korkeuden säätämiseen siten, että etummainen käsivartesi on suorassa leikatessasi
 - löysää lukitusholkki D ② kääntämällä sitä myötäpäivään
 - pidennä putki E ② sopivalle korkeudelle
 - kiristä lukitusholkki D ② kääntämällä sitä vastapäivään
- Käynnistys/pysäytys ⑭
 - kytke työkalusta päälle painamalla kytkimestä F
 - sammuta työkalusta vapauttamalla kytkimestä F
 - ! **kun työkalusta on katkaistu virta, leikkuusiimat pyörivät vielä muutama sekunnin ajan**
 - anna leikkuusiimojen pysähtyä, ennen kuin käynnistät laitteen uudelleen
 - ! **älä katkaise ja kytke virtaa nopeasti**
- Leikkaaminen
 - ! **varmista, että punainen suojuus G ② on poistettu siimankatkaisuterästä, ennen kuin käytät työkalua**
 - ! **varmista, ettei leikkuualueella ole kiviä, roskia tai muita vieraita esineitä**
 - ! **aloita leikkaaminen vasta, kun työkalu toimii täydellä nopeudella**
 - aloita leikkaaminen pistorasian läheltä ja liiku työskennellessäsi pois päin
 - leikkaa pitkä ruoho kerroksittain (aloita aina ylhäältä)
 - leikkaa ainoastaan leikkuusiiman kärjellä
 - älä leikkaa kosteaa tai märkää ruohoa
 - jos älä anna leikatun ruohon tukkia kelaä (älä tee liian raskaita leikkauksia)
 - älä ylikuormita työkalua
 - leikkaa varovasti puiden ja pensaiden ympäriltä, etteivät ne osu leikkuusiimoihin
 - pidä työkalu erillään kiinteistä esineistä suojataksesi leikkuusiimoja liialliselta kulumiselta
 - huomioi takapotkuvoimat, joita ilmenee työkalun koskiessa kiinteisiin esineisiin
- Koneen pitäminen ja ohjaaminen ⑮
 - leikkaa pitkä ruohoa hitaasti kääntelemällä työkalua oikealta vasemmalle ja päinvastoin
 - kun leikkaat lyhyempää ruohoa, kallista työkalua kuten kuvassa
 - käännä työkalua 180° reunojen leikkaamista varten
 - pidä konetta tukevalla otteella niin, että hallitset koneen täydellisesti koko ajan
 - säilytä tukeva työasento
 - pidä työkalu aina riittävän etäällä kehostasi
- Siiman syöttö ⑯
 - napauta painiketta H kevyesti maahan (mieluiten kiinteällä alustalla) moottorin käydessä
 - laite vapauttaa kaksi leikkuusiimaa, jotka siimankatkaisuterä katkaisee sopivan pituisiksi J
 - ! **varmista, että punainen suojuus G ② on poistettu siimankatkaisuterästä, ennen kuin käytät työkalua**
 - ! **varo siimankatkaisuterästä johtuvia loukkaantumisia J**
 - palauta siiman syöttämisen jälkeen työkalu aina normaaliin käyttöasentoon ennen virran kytkemistä
 - syötä siimoja säännöllisesti täyden leikkukehän säilyttämiseksi

- jos moottori käy ilman kuormitusta eikä ruohoa leikata, leikkuusiimat ovat kuluneita tai rikki, kelaä siima takaisin kelalle tai vaihda kelajärjestelmä
- Siiman kelaaminen takaisin kelalle ¹⁷
Jos leikkuusiimat eivät tule ulos kelan suojuksesta K
! sammuta kone ja irrota pistoke pistorasiasta
- irrota kelajärjestelmä työkalusta ja ota kela ulos suojuksesta K
- kelaä molemmat leikkuusiimat tasaisen tiukalle kerroksittain nuolen suuntaan
- aseta molemmat siimat kelan uriin X ja varmista, että ne ovat tukevasti paikoillaan (jätä riittävästi siimaa)
- pujota molemmat siimat kelan reikiin Y läpi, ennen kuin asetat kelatun kelan suojukseen K
- ! varmista, että kela on tukevasti paikallaan, ja vapauta sitten molemmat siimat urista X vetämällä niitä napakasti**
- asenna kelajärjestelmä työkaluun (**käännä kelaä myötäpäivään, kunnes se napsahtaa paikalleen**) ¹⁸
- Kelajärjestelmän asentaminen takaisin paikalleen ¹⁸
! sammuta kone ja irrota pistoke pistorasiasta
- irrota/asenna vanha/uusi kelajärjestelmä kuten kuvassa
- käytä tämän työkalun kanssa vain SKIL-kelajärjestelmää 2610Z01354 (**takuu ei korvaa muiden kelajärjestelmien käytöstä aiheutuvia vaurioita**)
- kun olet asentanut kelajärjestelmän uudelleen paikalleen, koekäytä työkalua ainakin minuutin ajan ilman kuormitusta varmistaaksesi, että se toimii asianmukaisesti

HOITO / HUOLTO

- Tätä työkalua ei ole tarkoitettu ammattikäyttöön
- **Irrota aina pistoke virtalähteestä ennen puhdistusta ja/tai huoltoa**
- Pidä työkalu ja johto puhtaina (varmista erityisesti ilmanvaihtoreiät puhtaus)
 - puhdistä työkalu kostealla liinalla (älä käytä puhdistusaineita tai liuottimia)
 - puhdistä siimankatkaisuterä J ² ja leikkuusuojus A ² jokaisen käyttökerran jälkeen
 - puhdistä tuuletusraut L ² säännöllisesti harjalla tai paineilmalla
- Tarkista säännöllisin väliajoin leikkuupään kunto ja mutterien, pulttien ja ruuvien kireys
- Tarkista laite säännöllisin väliajoin kuluneiden tai vaurioituneiden osien varalta ja korjauta/vaihdata ne tarvittaessa
- Säilytys ¹⁶
 - säilytä työkalu **sisätiloissa** kuivassa ja lukitussa paikassa lasten ulottumattomissa
 - kiinnitä säilytyskisko M tukevasti seinälle 4 ruuvilla (**eivät mukana**) vaakasuoraan asentoon
- Jos sähkötyökalussa, huolellisesta valmistuksesta ja koestusmenettelystä huolimatta esiintyy vikaa, tulee korjaus antaa SKIL sopimushuollon tehtäväksi
 - toimita työkalu sitä osiin **purkamatta** lähimpään SKIL-huoltoon (osoitteet ja työkalun huoltokaava ovat tarjolla web-osoitteessa www.skil.com) ostotodiste mukaan liitettynä

VIANMÄÄRITYS

- Seuraavassa luetellaan ongelmien oireita, mahdollisia syitä ja korjaustoimia (jos ongelma ei selviä ja korjaannu näiden avulla, ota yhteyttä jälleenmyyjään tai huoltoliikkeeseen)
! sammuta työkalu ja irrota pistoke pistorasiasta ennen ongelman tutkimista
- ★ Työkalu ei toimi
 - virtalähteen pistorasia viallinen -> käytä toista pistorasiaa
 - jatkojohto viallinen -> vaihda jatkojohto
- ★ Työkalu toimii katkonaisesti
 - sisäiset johdot viallisia -> ota yhteyttä jälleenmyyjään/huoltoliikkeeseen
 - virtakatkaisin viallinen -> ota yhteyttä jälleenmyyjään/huoltoliikkeeseen
- ★ Työkalu tärisee erikoisesti
 - ruoho liian pitkä -> leikkaa vaiheittain
- ★ Työkalu ei leikkaa
 - siima liian lyhyt / katkennut -> syötä siimaa käsin
- ★ Siiman syöttäminen ei onnistu
 - kela tyhjä -> vaihda kela
 - siima jumissa kelan sisällä -> tarkasta kela, kelaä tarvittaessa uudelleen
- ★ Siima ei katkea sopivan pituiseksi -> poista leikkuuterän suojus
- ★ Siima katkeilee jatkuvasti
 - siima jumissa kelan sisällä -> tarkasta kela, kelaä tarvittaessa uudelleen
 - leikkuria käytetään virheellisesti -> leikkaa vain siiman kärjellä, vältä kiviä, seiniä ja muita kovia esineitä; syötä siimaa säännöllisesti

YMPÄRISTÖNSUOJELU

- **Älä hävitä sähkötyökalua, tarvikkeita tai pakkausta tavallisen kotitalousjätteen mukana** (koskee vain EU-maita)
 - vanhoja sähkö- ja elektroniikkalaitteita koskevan EU-direktiivin 2012/19/ETY ja sen maakohtaisten sovellusten mukaisesti käytetyt sähkötyökalut on toimitettava ongelmajätteen keräyspisteeseen ja ohjattava ympäristöystävälliseen kierrätykseen
 - symboli ⁹ muistuttaa tästä, kun käytöstä poisto tulee ajankohtaiseksi

VAATIMUSTEN- MUKAISUUSVAKUUTUS € €

- Vakuutamme yksin vastaavamme siitä, että kohdassa "Tekniset tiedot" selostettu tuote vastaa seuraavia standardeja tai standardoituja asiakirjoja: EN 60335, EN 61000, EN 55014 direktiivien 2006/95/EY, 2004/108/EY, 2006/42/EY, 2000/14/EY, 2011/65/EU määräysten mukaan

- **Tekninen tiedosto kohdasta:** SKIL Europe BV (PT-SEU/ENG1), 4825 BD Breda, NL

Marijn van der Hoofden Olaf Dijkgraaf
Operations & Engineering Approval Manager




SKIL Europe BV, 4825 BD Breda, NL

19.12.2013

CE10

MELU/TÄRINÄ

- Mitattuna EN 60335 mukaan työkalun melutaso on 70 dB(A) ja yleensä työkalun äänen voimakkuus on 90 dB(A) (keskihajonta: 3 dB), ja tärinän voimakkuus <math><2,5 \text{ m/s}^2</math> (käsi-käsivarsii metodi; epävarmuus $K = 1,5 \text{ m/s}^2$)
- Mitattuna 2000/14/EY (EN/ISO 3744) mukaan taattu äänivoimakkuustaso LWA on alle 93 dB(A) (yhteensopivuuden arviointimenetelmä liitteen VI mukaan)

Ilmoitettu tarkastuslaitos: KEMA, Arnhem, NL
Ilmoitetun tarkastuslaitoksen tunnistenumero: 0344

- Tärinänsäteilytaso on mitattu standardin EN 60335 mukaisen standarditestin mukaisesti; sitä voidaan käyttää verrattaessa yhtä laitetta toiseen sekä alustavana tärinälle altistumisen arviona käytettäessä laitetta manituissa käyttötarkoituksissa
 - laitteen käyttö eri käyttötarkoituksiin tai erilaisten tai huonosti ylläpidettyjen lisälaitteiden kanssa voi **lisätä** merkittävästi altistumistasoa
 - laitteen ollessa sammuksissa tai kun se on käynnissä, mutta sillä ei tehdä työtä, altistumistaso voi olla huomattavasti **pienempi**

! suojaudu tärinän vaikutuksilta ylläpitämällä laite ja sen lisävarusteet, pitämällä kädet lämpiminä ja järjestämällä työmenetelmät

E

Cortabordes de hilo

0730

INTRODUCCIÓN

- Esta herramienta está concebida para cortar la hierba y la maleza bajo los arbustos, así como en pendientes y bordes a los que no se puede alcanzar con un cortacésped
- Esta herramienta no está concebida para uso profesional
- Compruebe que el paquete contiene todas las piezas según se ilustra en la figura ②
- Cuando faltan piezas o se dañan, póngase en contacto con su distribuidor
- **Lea este manual de instrucciones cuidadosamente antes de utilizarlo y guárdelo para consultas futuras** ③
- **Preste especialmente atención a las instrucciones y advertencias de seguridad; en caso contrario pueden ocurrir graves lesiones**

DATOS TÉCNICOS ①

ELEMENTOS DE LA HERRAMIENTA ②

- A Protector
- B Empuñadura de guía
- C Limitación de cable
- D Casquillo de bloqueo
- E Tubo telescópico
- F Interruptor de gatillo
- G Cubierta de la cuchilla
- H Botón para alimentación de hilo
- J Cuchilla del hilo
- K Tapa del carrete
- L Ranuras de ventilación
- M Carril de almacenamiento (tornillos no suministrados)
- N Gancho de almacenamiento

SEGURIDAD

INSTRUCCIONES DE SEGURIDAD ESPECÍFICAS PARA CORTABORDES

GENERAL

- Familiarícese con los controles y con el uso adecuado de la herramienta
- El usuario es responsable de los accidentes o riesgos que sufran otras personas o sus bienes
- Utilice la herramienta exclusivamente cuando la temperatura ambiente se encuentre entre 0°C y 40°C
- No instale nunca elementos metálicos cortantes en esta herramienta

SEGURIDAD DE PERSONAS

- Esta herramienta no está pensada para ser utilizada por personas (incluidos niños) con capacidades físicas, sensoriales o mentales disminuidas o falta de experiencia y conocimientos, a menos que estén bajo la supervisión o instrucciones relativas al uso de la herramienta por parte de una persona responsable de su seguridad
- Asegúrese de que los niños no jueguen con la herramienta
- No permita nunca que los niños o las personas no familiarizadas con las instrucciones de funcionamiento utilicen la herramienta
- **Mantenga los dedos alejados de la cuchilla del hilo integrada en el protector**
- Mantenga las manos y los pies alejados de los hilos de corte al realizar recortes, especialmente al encender la herramienta
- Utilice siempre protección de ojos, pantalones largos y calzado resistente al manejar la herramienta
- En ningún caso maneje la herramienta en la proximidad inmediata de personas; deje de usar la herramienta mientras se encuentran alrededor personas (especialmente niños) o animales
- No utilice nunca la herramienta si se encuentra cansado, enfermo o bajo la influencia del alcohol o de otras drogas

SEGURIDAD ELÉCTRICA

- Compruebe siempre que la tensión de alimentación es la misma que la indicada en la placa de características de la herramienta (las herramientas de 230V o 240V pueden conectarse también a 220V)

- Inspeccione el cable periódicamente y, si estuviera dañado, hágalo cambiar por una persona calificada
- Inspeccione periódicamente el cable de extensión y sustitúyalo si está deteriorado (**los cables de extensión inadecuados pueden ser peligrosos**)
- Utilice únicamente un cable de extensión adecuado para su uso en el exterior y equipado con toma de acoplamiento y enchufe herméticos
- Utilice cables de extensión seguros y completamente desenrollados con una capacidad de 16 amperios
- Al manejar la herramienta en entornos húmedos, utilice un dispositivo de corriente residual (DCR) con una corriente de activación de 30 mA como máximo
- No atropelle ni aplaste el cable (de extensión), ni tire del mismo
- Proteja el cable (de extensión) del calor, el aceite y los bordes afilados
- **Mantenga el cable (de prolongación) alejado de los hilos giratorios de corte**
- Apague la herramienta y desconecte el enchufe de la fuente de alimentación siempre que el cable de dicha fuente o el cable de alimentación sufran un corte, se dañen o se enreden (**no toque el cable antes de desconectar el enchufe**)

ANTES DEL USO

- Utilice la herramienta sólo con luz diurna o con una iluminación artificial adecuada
- Compruebe el funcionamiento de la herramienta cada vez que vaya a utilizarla y tras haber sufrido cualquier impacto; en el caso de que presentara algún defecto, llévela a una persona cualificada para que la repare (no abra nunca la herramienta)
- Antes de su uso, revise exhaustivamente el área de corte y retire cualquier objeto que pudiera ser lanzado por la herramienta durante el corte (como piedras, piezas sueltas de madera, etc.)

DURANTE EL USO

- No utilizar la herramienta cuando el cable esté dañado; hágalo cambiar por una persona calificada
- No utilice nunca la herramienta con un protector dañado o sin el protector instalado
- **Después de haber apagado la herramienta, los hilos de corte continuarán girando durante un corto periodo de tiempo**
- No corte hierba que no esté en el suelo (p. ej. en paredes o rocas)
- No cruce carreteras ni caminos de grava con la herramienta aún en funcionamiento
- No se distraiga y permanezca siempre concentrado en su tarea
- Siempre desconecte el enchufe de la fuente de alimentación
 - cuando deje desatendida la herramienta
 - antes de retirar material atascado
 - antes de comprobar o limpiar la herramienta, o de trabajar en ella
 - después del lanzamiento de un objeto extraño
 - cuando la herramienta comienza a vibrar de modo anormal
- Asegúrese siempre de que las aberturas de ventilación se mantienen libres de restos

DESPUÉS DEL USO

- **Siempre apague la herramienta y desconecte el enchufe de la fuente de alimentación antes de efectuar ajustes, cambiar carretes, realizar una limpieza o dejar desatendida la herramienta**
- Guarde la herramienta **dentro de la casa** en un lugar seco y cerrado con llave, lejos del alcance de los niños

EXPLICACIÓN DE LOS SÍMBOLOS DE LA HERRAMIENTA

- ③ **Advertencia** Lea el manual de instrucciones
- ④ No exponga la herramienta a la lluvia
- ⑤ Utilice gafas de protección
- ⑥ **Preste atención al riesgo de lesiones provocadas por la proyección de desechos** (mantenga a los transeúntes a una distancia de seguridad respecto al área de trabajo)
- ⑦ Desconecte inmediatamente el enchufe si el cable (de extensión) se daña o se corta al trabajar
- ⑧ Doble aislamiento (no requiere cable de tierra)

USO

- Protector ⑩
 - monte el protector A como figura en la ilustración con el tornillo de cabeza redondeada suministrado
 - ! **no utilice nunca la herramienta sin el protector A**
- Montaje/ajuste de la empuñadura de guía B como figura en la ilustración con los 4 tornillos suministrados
 - ! **apriete con fuerza los 4 tornillos**
- Limitación de cable ⑫
 - enganche el bucle del cable de extensión sobre la limitación C según figura en la ilustración
 - tire apretando para fijar el cable de extensión
- Altura de ajuste ⑬
 - Para ajustar la altura de la herramienta de modo que el brazo delantero esté recto al realizar el recorte
 - afloje el casquillo de bloqueo D ② girándolo en sentido horario
 - prolongue el tubo E ② hasta la altura deseada
 - apriete el casquillo de bloqueo D ② girándolo en sentido antihorario
- Encendido/apagado ⑭
 - encienda la herramienta accionando el gatillo F
 - apague la herramienta soltando el gatillo F
 - ! **tras apagar la herramienta, los hilos de corte continúan girando durante unos cuantos segundos**
 - espere a que los hilos de corte dejen de girar antes de encender de nuevo
 - ! **no encienda y apague rápidamente**
- Recorte
 - ! **antes de utilizar la herramienta, asegúrese de haber retirado la cubierta roja G ② de la cuchilla del hilo**
 - ! **asegúrese de que no hay piedras, restos ni cualquier otro objeto extraño en el área de corte**
 - ! **comience a cortar sólo cuando la herramienta funcione a toda velocidad**
 - comience a cortar cerca de la toma de red y vaya alejándose a medida que trabaja
 - corte la hierba larga por capas (empiece siempre desde la parte superior)

- corte exclusivamente con la punta del hilo de corte
- no corte hierba húmeda o mojada
- evite que la hierba cortada atasque el carrete (no realice cortes intensos)
- no sobrecargue la herramienta
- realice el corte con cuidado alrededor de árboles y arbustos, de modo que no entren en contacto con los hilos de corte
- mantenga la herramienta alejada de objetos sólidos para proteger los hilos de corte frente a un desgaste excesivo
- tenga cuidado con las fuerzas de retroceso que se producen cuando se tocan objetos sólidos
- Sujeción y manejo de la herramienta 15
 - para cortar hierba larga, bascule lentamente la herramienta de derecha a izquierda y viceversa
 - para cortar hierba corta, incline la herramienta como figura en la ilustración
 - gire la herramienta 180° para recortar bordes
 - sujete la herramienta firmemente con ambas manos, de modo que tenga pleno control sobre ella todo el tiempo
 - mantenga una posición de trabajo estable
 - mantenga siempre la herramienta adecuadamente alejada del cuerpo
- Alimentación de hilo 16
 - golpee suavemente el botón H en el suelo (preferiblemente en una superficie sólida) cuando el motor está en marcha
 - se liberarán dos hilos que se cortarán a la longitud correcta mediante la cuchilla del hilo J

! antes de utilizar la herramienta, asegúrese de haber retirado la cubierta roja G 2 de la cuchilla del hilo

! tenga cuidado de no sufrir lesiones con la cuchilla del hilo J

- tras la alimentación de hilo, siempre vuelva a situar la herramienta en su posición normal de funcionamiento antes de proceder a su encendido
- lleve a cabo la alimentación de hilo con regularidad para mantener un círculo de corte completo
- cuando el motor funciona sin carga y la hierba no se corta, los hilos de corte están gastados o rotos; rebobine el carrete o sustituya el sistema del carrete
- Rebobinado del carrete 17

En caso de que los hilos de corte no salgan de la tapa del carrete K

! pare la herramienta y desenchúfela

- extraiga de la herramienta el sistema del carrete y saque el carrete de la tapa del carrete K
- rebobine uniformemente y con fuerza ambos hilos de corte en capas siguiendo la dirección de la flecha
- inserte ambos hilos en las ranuras X del carrete y asegúrese de que quedan fijos en su sitio (deje suficiente longitud de hilo)
- enhebre ambos hilos a través de los orificios Y del carrete antes de poner el carrete rebobinado en la tapa del carrete K

! asegúrese de que el carrete está firmemente sujeto en su posición y, a continuación, suelte ambos hilos de las ranuras X tirando firmemente de ellos

- instale el sistema del carrete en la herramienta (**gire el carrete en sentido horario hasta que encaje en su posición**) 18
- Sustitución del sistema del carrete 18
 - ! pare la herramienta y desenchúfela**
 - simplemente, extraiga/instale el sistema del carrete viejo/nuevo según figura en la ilustración
 - utilice solo el sistema del carrete 2610Z01354 de SKIL con esta herramienta (**los daños derivados del uso de otros sistemas de carrete quedarán excluidos de la garantía**)
 - tras sustituir el sistema del carrete, pruebe la herramienta en marcha sin carga durante al menos un minuto para asegurarse de que funciona adecuadamente

MANTENIMIENTO / SERVICIO


- Esta herramienta no está concebida para uso profesional
- **Desconecte siempre el enchufe de la fuente de alimentación antes de realizar cualquier tarea de limpieza o mantenimiento**
- Mantenga limpio el cable eléctrico y la herramienta (sobre todo las ranuras de ventilación)
 - limpie la herramienta con un paño húmedo (no emplee productos de limpieza o disolventes)
 - limpie la cuchilla del hilo J 2 y el protector A 2 después de cada uso
 - limpie las ranuras de ventilación L 2 frecuentemente con una brocha o con aire comprimido
- Compruebe con regularidad el estado del cabezal de corte y el apriete de tuercas, pernos y tornillos
- Verifique con regularidad la ausencia de componentes desgastados o dañados y repárelos o sustitúyalos cuando sea necesario
- Almacenamiento 19
 - guarde la herramienta **dentro de la casa** en un lugar seco y cerrado con llave, lejos del alcance de los niños
 - instale en la pared el carril de almacenamiento M con 4 tornillos (**no suministrados**), bien sujeto y horizontalmente nivelado
- Si a pesar de los esmerados procesos de fabricación y control, la herramienta llegase a averiarse, la reparación deberá encargarse a un servicio técnico autorizado para herramientas eléctricas SKIL
 - envíe la herramienta **sin desmontar** junto con una prueba de su compra a su distribuidor o a la estación de servicio más cercana de SKIL (los nombres así como el despiece de piezas de la herramienta figuran en www.skil.com)

RESOLUCIÓN DE PROBLEMAS

- El siguiente listado indica síntomas de problemas, causas posibles y acciones correctoras (si no permite la identificación y la corrección del problema, póngase en contacto con su distribuidor o su centro de asistencia)
 - ! apague la herramienta y desenchúfela antes de investigar el problema**
- ★ La herramienta no funciona
 - toma de alimentación eléctrica averiada -> utilice otra toma

- cable de extensión dañado -> sustituya el cable de extensión
- ★ La herramienta funciona de forma intermitente
 - cableado interno defectuoso -> póngase en contacto con distribuidor/centro de asistencia
 - interruptor de encendido/apagado defectuoso -> póngase en contacto con distribuidor/centro de asistencia
- ★ La herramienta vibra de forma anómala
 - hierba demasiado alta -> corte por etapas
- ★ La herramienta no corta
 - hilo demasiado corto/roto -> lleve a cabo manualmente la alimentación de hilo
- ★ No es posible realizar la alimentación de hilo
 - carrete vacío -> sustituya el carrete
 - hilo enredado en el carrete -> revise el carrete; rebobine si es preciso
- ★ El hilo no se corta a la longitud correcta -> retire la cubierta de la cuchilla
- ★ El hilo se rompe siempre
 - hilo enredado en el carrete -> revise el carrete; rebobine si es preciso
 - cortadora incorrectamente utilizada -> corte sólo con la punta del hilo; evite piedras, paredes y otros objetos duros; lleve a cabo con regularidad la alimentación de hilo

AMBIENTE

- **No deseche las herramientas eléctricas, los accesorios y embalajes junto con los residuos domésticos** (sólo para países de la Unión Europea)
 - de conformidad con la Directiva Europea 2012/19/CE sobre residuos de aparatos eléctricos y electrónicos y su aplicación de acuerdo con la legislación nacional, las herramientas eléctricas cuya vida útil haya llegado a su fin se deberán recoger por separado y trasladar a una planta de reciclaje que cumpla con las exigencias ecológicas
 - símbolo  llamará su atención en caso de necesidad de tirarlas

DECLARACIÓN DE CONFORMIDAD CE

- Declaramos bajo nuestra sola responsabilidad que el producto descrito bajo "Datos técnicos" está en conformidad con las normas o documentos normalizados siguientes: EN 60335, EN 61000, EN 55014 de acuerdo con las disposiciones en las directivas 2006/95/CE, 2004/108/CE, 2006/42/CE, 2000/14/CE, 2011/65/UE
- **Expediente técnico en:** SKIL Europe BV (PT-SEU/ENG1), 4825 BD Breda, NL

Marijn van der Hoofden
Operations & Engineering

Olaf Dijkgraaf
Approval Manager




SKIL Europe BV, 4825 BD Breda, NL

19.12.2013

CE10

RUIDOS/VIBRACIONES

- Medido según EN 60335 el nivel de la presión acústica de esta herramienta se eleva a 70 dB(A) y el nivel de la potencia acústica a 90 dB(A) (desviación estándar: 3 dB), y la vibración a $2,5 \text{ m/s}^2$ (método brazo-mano; incertidumbre $K = 1,5 \text{ m/s}^2$)
- Medido según 2000/14/CE (EN/ISO 3744) el nivel de potencia acústica LWA garantizado es inferior a 93 dB(A) (procedimiento para evaluación de la conformidad según anexo VI)
Entidad acreditada: KEMA, Arnhem, NL
Número de identificación de la entidad acreditada: 0344
- El nivel de emisión de vibraciones ha sido medido según una prueba estándar proporcionada en EN 60335; puede utilizarse para comparar una herramienta con otra y como valoración preliminar de la exposición a las vibraciones al utilizar la herramienta con las aplicaciones mencionadas
 - al utilizarla para distintas aplicaciones o con accesorios diferentes o con un mantenimiento deficiente, podría **augmentar** de forma notable el nivel de exposición
 - en las ocasiones en que se apaga la herramienta o cuando está funcionando pero no está realizando ningún trabajo, se podría **reducir** el nivel de exposición de forma importante
- ! **protégase contra los efectos de la vibración realizando el mantenimiento de la herramienta y sus accesorios, manteniendo sus manos calientes y organizando sus patrones de trabajo**





P

Aparador de linha

0730

INTRODUÇÃO

- Esta ferramenta destina-se ao corte de relva e ervas daninhas debaixo de arbustos, assim como de inclinações e extremidades que não possam ser alcançadas por um cortador de relva
- Esta ferramenta não se destina a utilização profissional
- Verifique se a embalagem contém todas as peças conforme apresentado no desenho 
- Quando faltarem peças ou estiverem danificadas, contacte o revendedor
- **Leia este manual de instruções cuidadosamente antes de utilizar e guarde-o para futura referência** 
- **Dê especial atenção às instruções e avisos de segurança; a não observação das respectivas recomendações poderá resultar em lesões graves**

DADOS TÉCNICOS ①

ELEMENTOS DA FERRAMENTA ②

- A Guarda de corte
- B Pega guia
- C Limitador do cabo
- D Manga de fixação
- E Tubo telescópico
- F Gatilho
- G Tampa da lâmina de corte
- H Botão da alimentação de linha
- J Lâmina de corte de linha
- K Tampa da bobina
- L Aberturas de ventilação
- M Calha de armazenamento (**parafusos não fornecidos**)
- N Gancho de armazenamento

SEGURANÇA

INSTRUÇÕES DE SEGURANÇA ESPECÍFICAS PARA APARADORES DE LINHA

GENERAL

- Familiarize-se com os controlos e a utilização adequada da ferramenta
- O utilizador é responsável pelos acidentes ou perigos que ocorram com outras pessoas ou a sua propriedade
- Utilize apenas a ferramenta quando a temperatura estiver entre 0°C e 40°C
- Nunca monte os elementos de corte metálicos nesta ferramenta

SEGURANÇA DE PESSOAS

- Esta ferramenta não deve ser utilizada por pessoas (incluindo crianças) com deficiências físicas, sensoriais ou mentais, ou falta de experiência e conhecimentos, excepto se tiverem supervisão ou receberem instrução relacionada com a utilização da ferramenta por uma pessoa responsável pela sua segurança
- Certifique-se de que as crianças não brincam com a ferramenta
- Nunca deixe crianças ou pessoas não familiarizadas com as instruções de funcionamento utilizarem a ferramenta
- **Mantenha os dedos afastados da lâmina de corte integrada na guarda de corte**
- Mantenha as mãos e os pés afastados das linhas de corte enquanto apara, em especial, quando liga a ferramenta
- Use sempre protecção dos olhos, calças longas e sapatos fortes quando utilizar a ferramenta
- Nunca utilize a ferramenta junto a pessoas; pare de utilizar a ferramenta enquanto as pessoas (especialmente as crianças) ou os animais estiverem nas redondezas
- Nunca utilize a ferramenta quando estiver cansado, doente ou debaixo da influência do álcool e de outras drogas

SEGURANÇA ELÉCTRICA

- Certifique-se sempre de que a tensão de alimentação está de acordo com a tensão indicada na placa de identificação da ferramenta (ferramentas com a

indicação de 230V ou 240V também podem ser ligadas a uma fonte de 220V)

- Inspeccione periodicamente o fio e mandando-o substituir por pessoal qualificado, se o fio estiver danificado
- Inspeccione o cabo de extensão periodicamente e substitua-o, se danificado (**os cabos de extensão inadequados podem ser perigosos**)
- Utilize apenas um cabo de inspecção destinado a utilização exterior e equipado com uma ficha impermeável e uma união de tomada
- Utilize extensões completamente desenroladas e seguras, com uma capacidade de 16 Amp
- Quando operar a ferramenta em ambientes húmidos, utilize um dispositivo de corrente residual (RCD) com uma corrente de accionamento de 30 mA no máximo
- Não passe por cima, esmague ou puxe o cabo (extensão)
- Proteja o cabo (extensão) de fontes de calor, de óleo e de arestas aguçadas
- **Mantenha o cabo (extensão) afastado das linhas de corte rotativas**
- Desligue sempre a ferramenta e retire a ficha da fonte de alimentação se o cabo de alimentação ou o cabo de extensão estiver cortado, danificado ou emaranhado (**não toque no cabo antes de desligar a ficha**)

ANTES DA UTILIZAÇÃO

- Utilize a ferramenta apenas de dia ou com a iluminação artificial adequada
- Verifique o funcionamento da ferramenta antes de cada utilização e após qualquer impacto; em caso de avaria, leve-a a uma pessoa qualificada para reparação (nunca abra você mesmo a ferramenta)
- Antes de utilizar, inspeccione cuidadosamente a área de corte e retire qualquer objecto que a ferramenta possa apanhar durante o corte (como, por exemplo, pedras, pedaços soltos de madeira, etc.)

DURANTE A UTILIZAÇÃO

- Não utilizar ferramenta caso o fio esteja danificado; mandando-o substituir por pessoal qualificado
- Nunca utilize a ferramenta com uma guarda de corte danificada ou sem a guarda de corte montada
- **As linhas de corte continuam a rodar durante um curto período de tempo, mesmo depois de a ferramenta ter sido desligada**
- Não corte relva que não esteja no chão (ex. sobre paredes ou rochas)
- Não atravesse estradas ou caminhos de gravilha com a ferramenta em funcionamento
- Não se distraia e concentre-se sempre no que está a fazer
- Desligue sempre da fonte de alimentação
 - quando deixar a ferramenta sem vigilância
 - antes de retirar material encravado
 - antes de verificar, limpar ou trabalhar na ferramenta
 - depois de bater num objecto estranho
 - sempre que a ferramenta começar a vibrar anormalmente
- Certifique-se sempre de que as aberturas de ventilação não têm resíduos

APÓS A UTILIZAÇÃO

- **Desligue sempre a ferramenta e retire a ficha da fonte de alimentação antes de fazer ajustes, mudar bobinas, limpar ou deixar a ferramenta sem vigilância por qualquer período**
- Guarde a ferramenta **no interior** num local seco e seguro, fora do alcance das crianças

EXPLICAÇÃO DOS SÍMBOLOS DA FERRAMENTA

- ③ **Aviso!** Leia o manual de instruções
- ④ Não exponha a ferramenta à chuva
- ⑤ Use óculos de protecção
- ⑥ **Tenha atenção ao risco de lesão provocado pelos resíduos móveis** (mantenha as pessoas a uma distância segura da área de trabalho)
- ⑦ Desligue imediatamente a ficha se o cabo (extensão) estiver danificado ou for cortado durante o trabalho
- ⑧ Isolamento duplo (nenhum fio de terra necessário)

MANUSEAMENTO

- Guarde de corte ⑩
 - monte a guarda de corte A conforme ilustrado com o parafuso de cabeça redonda fornecido
 - ! **nunca utilize a ferramenta sem a guarda de corte A**
- Montar/ajustar a pega guia ⑪
 - monte a pega guia B conforme ilustrado com os 4 parafusos fornecidos
 - ! **aperte todos os 4 parafusos**
- Limitador do cabo ⑫
 - pendure a volta do cabo de extensão sobre o limitador C conforme ilustrado
 - puxe para ficar o cabo de extensão
- Ajuste de altura ⑬
 - Para ajustar a altura da ferramenta para que o seu braço frontal fique direito quando aparar
 - desaperte a manga de fixação D ②, rodando-a para a direita
 - abra o tubo E ② até à altura pretendida
 - aperte a manga de fixação D ②, rodando-a para a esquerda
- Ligar/desligar ⑭
 - ligue a ferramenta premindo o gatilho F
 - desligue a ferramenta soltando o gatilho F
 - ! **depois de desligar a ferramenta, as linhas de corte continuam a rodar durante alguns segundos**
 - permite que as linhas de corte parem de rodar antes de voltar a ligar
 - ! **não ligue e desligue rapidamente**
- Aparar
 - ! **certifique-se de que a tampa vermelha G ② é removida da lâmina de corte da linha antes de utilizar a ferramenta**
 - ! **certifique-se de que a área de corte não tem pedras, resíduos e outros objectos estranhos**
 - ! **inicie o corte apenas quando a ferramenta funcionar à velocidade total**
 - comece a aparar junto à tomada e afaste-se durante o trabalho
 - corte a relva alta em camadas (comece sempre por cima)
 - apare apenas com a ponta da linha de corte

- não corte relva molhada ou húmida
- impeça que a relva cortada obstrua a bobina (não faça cortes intensos)
- não sobrecarregue a ferramenta
- corte cuidadosamente à volta das árvores e dos arbustos, para que não entrem em contacto com as linhas de corte
- mantenha a ferramenta afastada de objectos sólidos para proteger as linhas de corte contra o desgaste excessivo
- não se esqueça das forças de recuo que ocorrem quando toca em objectos sólidos
- Segurar e guiar a ferramenta ⑮
 - para cortar relva alta, balance lentamente a ferramenta da direita para a esquerda e vice-versa
 - para cortar a relva mais curta, incline a ferramenta conforme ilustrado
 - rode a ferramenta 180° para aparar extremidades
 - segure a ferramenta com ambas as mãos e assim terá sempre um controlo completo da mesma
 - mantenha uma posição de trabalho estável
 - mantenha sempre a ferramenta afastada do corpo
- Alimentação da linha ⑯
 - toque com o botão H ligeiramente no chão (preferencialmente numa superfície sólida) com o motor em funcionamento
 - duas linhas de corte serão libertadas e cortadas com o comprimento correcto pela lâmina de corte de linha J
 - ! **certifique-se de que a tampa vermelha G ② é removida da lâmina de corte da linha antes de utilizar a ferramenta**
 - ! **tenha cuidado para se proteger de lesões provocadas pela lâmina de corte J**
 - após a alimentação de linha, coloque sempre a ferramenta na posição de funcionamento normal antes de ligar
 - alimente as linhas regularmente para manter o círculo de corte completo
 - quando o motor funciona sem carga e não corta relva, as linhas de corte estão gastas ou partidas; rebobine a bobina ou substitua o sistema de bobinas
- Rebobinar a bobina ⑰
 - No caso de as linhas de corte não saírem da tampa da bobina K
 - ! **desligue a ferramenta e retire a ficha da tomada**
 - retire o sistema de bobinas da ferramenta e retire a bobina da tampa da bobina K
 - rebobine ambas as linhas de corte uniformemente em camadas na direcção da seta
 - introduza ambas as linhas nas ranhuras X e certifique-se de que estão no lugar (deixe comprimento de linha suficiente)
 - enfie ambas as linhas através dos orifícios Y antes de colocar a bobina rebobinada na tampa da bobina K
 - ! **certifique-se de que a bobina está no local correcto e, em seguida, liberte ambas as linhas das ranhuras X, puxando-as firmemente**
 - monte o sistema de bobina na ferramenta (**rode a bobina para a direita até encaixar**) ⑱
- Substituir o sistema de bobinas ⑱
 - ! **desligue a ferramenta e retire a ficha da tomada**

- retire/monte o sistema de bobinas antigo/novo conforme ilustrado
- utilize apenas o sistema de bobina SKIL 2610Z01354 com esta ferramenta (**danos devido à utilização de outros sistemas de bobinas serão excluídos da garantia**)
- depois de substituir o sistema de bobinas, teste a ferramenta pelo menos durante um minuto sem carga para garantir que a ferramenta está a funcionar correctamente

MANUTENÇÃO / SERVIÇO

- Esta ferramenta não se destina a utilização profissional
- **Retire sempre a ficha da fonte de alimentação antes da limpeza e/ou manutenção**
- Mantenha a ferramenta e o fio sempre limpos (especialmente as aberturas de ventilação)
 - limpe a ferramenta com um pano húmido (não utilize decapantes ou solventes)
 - limpe a lâmina de corte de linha J ② e a guarda de corte A ② após cada utilização
 - limpe os orifícios de ventilação L ② regularmente com uma escova ou com ar comprimido
- Verifique regularmente o estado da cabeça de corte e o aperto dos parafusos e das porcas
- Verifique regularmente se existem componentes gastos ou danificados e mande-os reparar/substituir quando necessário
- Armazenamento ⑩
 - guarde a ferramenta **no interior** num local seco e seguro, fora do alcance das crianças
 - monte a calha de armazenamento M na parede com 4 parafusos (**não fornecidos**) e nivelada na horizontal
- Se a ferramenta falhar apesar de cuidadosos processos de fabricação e de teste, a reparação deverá ser executada por uma oficina de serviço autorizada para ferramentas eléctricas SKIL
 - envie a ferramenta **sem desmontar**, juntamente com a prova de compra, para o seu revendedor ou para o centro de assistência SKIL mais próximo (os endereços assim como a mapa de peças da ferramenta estão mencionados no www.skil.com)

RESOLUÇÃO DE PROBLEMAS

- A lista seguinte mostra os sintomas dos problemas, causas possíveis e acções correctivas (se estas não identificarem e corrigirem o problema, contacte o revendedor ou o centro de assistência técnica)
 - ! **desligue a ferramenta e desligue a ficha antes de investigar o problema**
- ★ A ferramenta não funciona
 - tomada eléctrica avariada -> utilize outra tomada
 - cabo de extensão danificado -> substitua o cabo de extensão
- ★ A ferramenta funciona intermitentemente
 - instalação interna defeituosa -> contacte o revendedor/centro de assistência técnica
 - interruptor de ligar/desligar defeituoso -> contacte o revendedor/centro de assistência técnica
- ★ A ferramenta vibra anormalmente
 - relva muito alta -> corte em etapas

- ★ A ferramenta não corta
 - linha muito curta/partida -> alimente a linha manualmente
- ★ A linha não pode ser alimentada
 - bobina vazia -> substitua a bobina
 - linha presa no interior da bobina -> inspeccione a bobina; rebobine se necessário
- ★ A linha não é cortada com o comprimento correcto -> retire a tampa da lâmina de corte
- ★ A linha continua a partir-se
 - linha presa no interior da bobina -> inspeccione a bobina; rebobine se necessário
 - aparador utilizado incorrectamente -> apare apenas com a ponta da linha; evite pedras, paredes e outros objectos duros; alimente a linha regularmente

AMBIENTE

- **Não deite ferramentas eléctricas, acessórios e embalagem no lixo doméstico** (apenas para países da UE)
 - de acordo com a directiva europeia 2012/19/CE sobre ferramentas eléctricas e electrónicas usadas e a transposição para as leis nacionais, as ferramentas eléctricas usadas devem ser recolhidas em separado e encaminhadas a uma instalação de reciclagem dos materiais ecológica
 - símbolo ⑨ lhe avisará em caso de necessidade de arranja-las

DECLARAÇÃO DE CONFORMIDADE CE

- Declaramos sob nossa exclusiva responsabilidade que o produto descrito em "Dados técnicos" cumpre as seguintes normas ou documentos normativos: EN 60335, EN 61000, EN 55014 conforme as disposições das directivas 2006/95/CE, 2004/108/CE, 2006/42/CE, 2000/14/CE, 2011/65/UE
- **Processo técnico em:** SKIL Europe BV (PT-SEU/ENG1), 4825 BD Breda, NL

Marijn van der Hoofden Olaf Dijkgraaf
Operations & Engineering Approval Manager




SKIL Europe BV, 4825 BD Breda, NL

19.12.2013

CE10

RUIDO/VIBRAÇÕES

- Medido segundo EN 60335 o nível de pressão acústica desta ferramenta é 70 dB(A) e o nível de potência acústica 90 dB(A) (espaço de erro: 3 dB), e a vibração <2,5 m/s² (método braço-mão; incerteza K = 1,5 m/s²)
 - Medido segundo 2000/14/CE (EN/ISO 3744) o nível de potência acústica garantido é inferior a 93 dB(A) (processo de avaliação da conformidade de acordo com o anexo VI)
- Organismo notificado: KEMA, Arnhem, NL
Número de identificação do organismo notificado: 0344

- O nível de emissão de vibrações foi medido de acordo com um teste normalizado fornecido na EN 60335; pode ser utilizado para comparar uma ferramenta com outra e como uma avaliação preliminar de exposição à vibração quando utilizar a ferramenta para as aplicações mencionadas
 - utilizar a ferramenta para diferentes aplicações ou com acessórios diferentes ou mantidos deficientemente, pode **aumentar** significativamente o nível de exposição
 - o número de vezes que a ferramenta é desligada ou quando estiver a trabalhar sem fazer nada, pode **reduzir** significativamente o nível de exposição
- ! **proteja-se contra os efeitos da vibração, mantendo a ferramenta e os acessórios, mantendo as mãos quentes e organizando os padrões de trabalho**



Alimentazione del filo 0730

INTRODUZIONE

- Questo utensile è stato concepito per tagliare erba ed erbacce sotto gli arbusti, nonché su pendenze e angoli non raggiungibili con il tagliaerba
- Questo utensile non è inteso per un uso professionale
- Verificare che l'imballo contenga tutte le parti illustrate sul disegno ②
- In caso di parti mancanti o danneggiate, contattare il proprio rivenditore
- **Leggere attentamente questo manuale di istruzioni prima dell'impiego, e conservarlo per future consultazioni** ③
- **Prestare particolare attenzione alle istruzioni di sicurezza ed alle avvertenze; la mancata osservanza potrebbe causare serie lesioni**

DATI TECNICI ①

ELEMENTI UTENSILE ②

- A Protezione di taglio
- B Impugnatura di guida
- C Reggicavo
- D Bussola di bloccaggio
- E Tubo telescopico
- F Grilletto
- G Copertura della lama da taglio
- H Pulsante per alimentare il filo
- J Lama di taglio del filo
- K Testina porta-rotolo
- L Feritoio di ventilazione
- M Supporto per utensile (**viti non fornite**)
- N Gancio porta-utensile

SICUREZZA

ISTRUZIONI DI SICUREZZA SPECIFICHE PER DECESPUGLIATORI

NOTE GENERALI

- Familiarizzare con i controlli e l'uso corretto dell'utensile
- L'utente è responsabile per incidenti o pericoli causati ad altre persone o a proprietà di queste ultime
- Usare l'utensile solo quando la temperatura ambiente è tra 0°C e 40°C
- Non montare elementi di taglio in metallo su quest'utensile

SICUREZZA DELLE PERSONE

- Questo utensile non deve essere usato da persone (compresi i bambini) con ridotte capacità fisiche, sensoriali e mentali o con scarsa esperienza e conoscenza specifiche, a meno che le stesse non operino sotto la supervisione di una persona responsabile della loro sicurezza o siano state da essa istruite sull'utilizzo dell'utensile
- Assicurarsi che i bambini non giochino con l'utensile
- Non lasciare mai che bambini o persone, che non conoscono le istruzioni d'uso, usino l'utensile
- **Tenere le dita lontane dalla lama di taglio del filo all'interno della protezione di taglio**
- Tenere le mani e i piedi lontano dai fili di taglio mentre l'utensile è in uso, specialmente quando viene acceso
- Indossare sempre una protezione per gli occhi, pantaloni lunghi e scarpe robuste quando si usa l'utensile
- Non usare mai l'utensile in prossimità di persone; interrompere l'uso quando persone (particolarmente bambini) o animali si trovano in prossimità
- Non usare mai l'utensile quando si è stanchi, malati o sotto l'influenza di alcool o altre droghe

SICUREZZA ELETTRICA

- Controllare che la tensione dell'alimentazione sia la stessa di quella indicata sulla targhetta dell'utensile (gli utensili con l'indicazione di 230V o 240V possono essere collegati anche alla rete di 220V)
- Esaminare il cavo periodicamente e, se danneggiato, farlo sostituire da personale qualificato
- Esaminare il cavo di prolunga periodicamente e, se danneggiato, sostituirlo (**cavi di prolunga inadeguati possono essere pericolosi**)
- Usare solamente una prolunga per un uso all'esterno e munita di presa e spina a prova di spruzzo
- Usare cavi di prolunga completamente srotolati e sicure con una capacità di 16 Amp
- In ambienti umidi usare un dispositivo per corrente residua (RCD) con una corrente di scatto di massimo 30 mA
- Non passare sopra, schiacciare o tirare il cavo (di prolunga)
- Proteggere il cavo (di prolunga) dal calore, dall'olio e dai bordi taglienti
- **Tenere il cavo (di prolunga) sempre lontano dai fili di taglio in movimento**
- Spegnerne sempre l'utensile e disinserire la spina dalla presa di corrente, se il cavo d'alimentazione o il cavo di prolunga è tagliato, danneggiato o impigliato (**non toccare il cavo prima di disinserire la spina**)

PRIMA DELL'USO

- Usare l'utensile solo con luce diurna o sufficiente luce artificiale
- Controllare il funzionamento dell'utensile ogni volta prima di usarlo e dopo un impatto; in caso di difetti, farlo riparare immediatamente da una persona qualificata (non aprire mai l'utensile)
- Prima dell'uso esaminare attentamente l'area da tagliare e rimuovere oggetti estranei che potrebbero essere proiettati durante l'uso (p.es. sassi, pezzi di legno ecc.)

DURANTE L'USO

- Non usare l'utensile quando il cavo è danneggiato; farlo sostituire da personale qualificato
- Non usare mai l'utensile con la protezione di taglio danneggiata o senza quest'ultima.
- **I fili di taglio continuano a ruotare per un certo tempo dopo che l'utensile è stato spento**
- Non tagliare erba che non cresce sul suolo (p.es. su muri o rocce)
- Non attraversare strade o stradine di ghiaia con l'utensile acceso
- Non distrarsi e rimanere sempre concentrati su ciò che si sta facendo
- Disinserire sempre la spina dalla presa di corrente
 - quando si lascia l'utensile incustodito
 - prima di rimuovere materiale incastrato
 - controllare, pulire o effettuare lavori sull'utensile
 - dopo un contatto con un oggetto estraneo
 - quando l'utensile si avvia con vibrazioni anomale
- Mantenere sempre le aperture di ventilazione libere da detriti

DOPO L'USO

- **Spegnere sempre l'utensile e scollegare la spina dalla presa di corrente prima di effettuare regolazioni, cambiare il rotolo, pulire o lasciare l'utensile incustodito**
- Conservare l'utensile **all'interno** in un posto asciutto e chiuso a chiave, distante dalla portata dei bambini

SPIEGAZIONE DEI SIMBOLI PRESENTI SULL'UTENSILE

- ③ **Avvertenza!** Leggere il manuale di istruzioni
- ④ Non esporre l'utensile alla pioggia
- ⑤ Portare occhiali di protezione
- ⑥ **Prestare attenzione al rischio di lesioni provocate da detriti proiettati** (mantenere spettatori a distanza di sicurezza dall'area di lavoro)
- ⑦ Se durante il lavoro, il cavo (di prolunga) viene danneggiato oppure troncato, estrarre immediatamente la spina dalla presa
- ⑧ Doppio isolamento (non è necessario alcun cavo di terra)

USO

- Protezione di taglio ⑩
 - montare la protezione di taglio A come indicato, con la vite a testa tonda fornita
 - ! non utilizzare mai l'utensile senza la protezione di taglio A**
- Montaggio/regolazione del manico di guida ⑪
 - montare il manico di guida B come illustrato, con le 4 viti fornite
 - ! serrare bene tutte e 4 le viti**

- Reggicavo ⑫
 - agganciare l'asola del cavo di prolunga al reggicavo C come indicato nell'illustrazione
 - tirare per fissare il cavo di prolunga
- Regolazione dell'altezza ⑬
Per regolare l'altezza dell'utensile di modo che l'avambraccio sia diritto durante l'uso
 - allentare la bussola di bloccaggio D ② girandola in senso orario
 - allungare il tubo E ② all'altezza desiderata
 - fissare la bussola di bloccaggio D ② girandola in senso antiorario
- Acceso/spento ⑭
 - accendete l'utensile premendo il grilletto F
 - spegnete l'utensile rilasciando il grilletto F
 - ! dopo aver spento l'utensile, i fili di taglio continuano a muoversi per qualche secondo**
 - aspettare che i fili di taglio smettano di ruotare, prima di riaccendere
 - ! non spegnere e accendere in successione rapida**
- Tagliare
 - ! assicurarsi che la copertura rossa G ② sia rimossa dalla lama di taglio del filo prima di usare l'utensile**
 - ! assicurarsi che l'area di taglio sia libera da sassi, detriti e altri oggetti estranei**
 - ! iniziare a tagliare solo quando l'utensile gira a piena velocità**
 - iniziare a tagliare vicino alla presa di corrente e allontanarsi mentre si procede con il lavoro
 - tagliare l'erba alta a strati (iniziando dall'alto)
 - tagliare solo con la punta del filo di taglio
 - non tagliare erba umida o bagnata
 - evitare che l'erba tagliata ostruisca il rotolo (non effettuare tagli pesanti)
 - non sovraccaricare l'utensile
 - fare attenzione quando si taglia attorno ad alberi e arbusti, evitando di vengano a contatto con i fili di taglio
 - tenere l'utensile lontano dagli oggetti solidi per proteggere i fili di taglio da un'eccessiva usura
 - fare attenzione al contraccolpo, quando si entra in contatto con oggetti solidi
- Tenuta e guida dell'utensile ⑮
 - per tagliare erba alta, muovere l'utensile lentamente da destra a sinistra e viceversa
 - per tagliare erba più bassa, inclinare l'utensile come illustrato
 - ruotare l'utensile di 180° per tagliare bordi
 - tenere l'utensile con entrambe le mani, in modo da avere in qualsiasi momento il controllo dell'utensile
 - mantenere una posizione di lavoro stabile
 - tenere sempre l'utensile lontano da se
- Alimentazione del filo ⑯
 - premere il pulsante H leggermente contro il suolo (preferibilmente su una superficie solida) mentre il motore è in funzione
 - due fili di taglio verranno rilasciati e tagliati alla lunghezza giusta dalla lama di taglio del filo J
 - ! assicurarsi che la copertura rossa G ② sia rimossa dalla lama di taglio del filo prima di usare l'utensile**

! fare attenzione a non ferirsi con la lama di taglio del filo J

- dopo aver alimentato il filo, riportare l'utensile nella normale posizione d'esercizio, prima di accenderlo
 - alimentare regolarmente il filo per mantenere il cerchio di taglio intatto
 - quando il motore è in funzione senza carico o senza tagliare erba, i fili di taglio sono consumati o rotti; riavvolgere il rotolo o sostituire l'unità porta-rotolo
 - Riavvolgere il rotolo 17
- Se i fili di taglio non fuoriescono dalla testina porta-rotolo K

! spegnete l'utensile e togliete la spina dalla presa di corrente

- rimuovere l'unità porta-rotolo dall'utensile ed estrarre il rotolo dalla testina porta-rotolo K
 - riavvitare entrambi i fili di taglio omogeneamente a strati in direzione della freccia
 - inserire entrambi i fili nelle fessure del rotolo X e assicurarsi che siano ben saldi (lasciare una lunghezza sufficiente)
 - infilare entrambi i fili nei fori del rotolo Y, prima di reinserire il rotolo riavvolto nella testina porta-rotolo K
- ! assicurarsi che il rotolo sia posizionato saldamente, quindi rilasciare entrambi i fili dalle fessure X tirandoli fermamente
- montare l'unità porta-rotolo sull'utensile (ruotare l'unità porta-rotolo in senso orario fino a che non scatti in posizione) 18

- Sostituzione dell'unità porta-rotolo 19

! spegnete l'utensile e togliete la spina dalla presa di corrente

- rimuovere/montare semplicemente l'unità porta-rotolo vecchia/nuova come illustrato
- utilizzare esclusivamente unità porta-rotolo SKIL 2610Z01354 con quest'utensile (**dalla garanzia sono esclusi i danni derivanti dall'impiego di altre unità porta-rotolo**)
- dopo aver sostituito l'unità porta-rotolo, effettuare un ciclo di prova senza carico di almeno un minuto per assicurarsi che l'utensile funzioni correttamente

MANUTENZIONE / ASSISTENZA

- Questo utensile non è inteso per un uso professionale
- **Scogliere sempre la spina dell'utensile dalla presa di corrente prima di effettuare la pulizia e/o manutenzione**
- Tenete sempre puliti utensile e cavo (soprattutto le feritoie di ventilazione)
 - pulire l'utensile con un panno umido (non usare agenti detergenti né solventi)
 - pulire la lama di taglio del filo J 2 e la protezione di taglio A 2 dopo ogni uso
 - pulire regolarmente le fessure di ventilazione L 2 con una spazzola o con aria compressa
- Verificare regolarmente la condizione della testina di taglio e che i dadi, i bulloni e le viti siano serrati bene
- Verificare regolarmente che i componenti non siano usurati o danneggiati e ripararli/sostituirli se necessario
- Stoccaggio del tagliasiepe 19
 - conservare l'utensile **all'interno** in un posto asciutto e chiuso a chiave, distante dalla portata dei bambini

- montare il supporto per utensile M in modo sicuro e orizzontale sul muro utilizzando 4 viti (**non fornite**)
- Se nonostante gli accurati procedimenti di produzione e di controllo l'utensile dovesse guastarsi, la riparazione va fatta effettuare da un punto di assistenza autorizzato per gli elettrotensili SKIL
 - inviare l'utensile **non smontato** assieme alle prove di acquisto al rivenditore oppure al più vicino centro assistenza SKIL (l'indirizzo ed il disegno delle parti di ricambio dell'utensile sono riportati su www.skil.com)

RISOLUZIONE DI PROBLEMI

- La seguente lista elenca sintomi di problemi, possibili cause e misure correttive (se il proprio problema non è identificato e non è possibile correggerlo, si prega di contattare il proprio rivenditore o centro assistenza)
- ! **spegner l'utensile ed estrarre la spina dalla presa di corrente prima di cercare di risolvere il problema**
- ★ L'utensile non funziona
 - presa di corrente difettosa -> usare un'altra presa
 - cavo di prolunga danneggiato -> sostituire il cavo di prolunga
- ★ L'utensile funziona a intermittenza
 - cavi interni difettosi -> contattare il rivenditore/centro di assistenza
 - interruttore on/off difettoso -> contattare il rivenditore/centro di assistenza
- ★ L'utensile vibra in modo anomalo
 - erba troppo alta -> tagliare in più fasi
- ★ L'utensile non taglia
 - filo troppo corto/spezzato -> alimentare il filo manualmente
- ★ Impossibile alimentare il filo
 - rotolo vuoto -> sostituire il rotolo
 - filo ingarbugliato all'interno del rotolo -> controllare il rotolo; riavvolgere se necessario
- ★ Il filo non è stato tagliato alla lunghezza giusta -> rimuovere il coperchio della lama di taglio
- ★ Il filo continua a spezzarsi
 - filo ingarbugliato all'interno del rotolo -> controllare il rotolo; riavvolgere se necessario
 - uso scorretto del decespugliatore -> tagliare solo con la punta del filo; evitare sassi, muri e altri oggetti duri; alimentare il filo regolarmente

TUTELA DELL'AMBIENTE

- **Non gettare l'utensile elettrico, gli accessori e l'imballaggio tra i rifiuti domestici** (solo per paesi UE)
 - secondo la Direttiva Europea 2012/19/CE sui rifiuti di utensili elettrici ed elettronici e la sua attuazione in conformità alle norme nazionali, gli utensili elettrici esausti devono essere raccolti separatamente, al fine di essere reimpiegati in modo eco-compatibile
 - il simbolo 9 vi ricorderà questo fatto quando dovete eliminarlo

DICHIARAZIONE DEI CONFORMITÀ CE

- Assumendone la piena responsabilità, dichiariamo che il prodotto descritto nei "Dati tecnici" è conforme alle seguenti normative ed ai relativi documenti: EN 60335, EN 61000, EN 55014 in base alle prescrizioni delle direttive 2006/95/EG, 2004/108/EG, 2006/42/EG, 2000/14/EG, 2011/65/UE
- Fascicolo tecnico presso:** SKIL Europe BV (PT-SEU/EN/EN1), 4825 BD Breda, NL

Marijn van der Hoofden
Operations & Engineering

Olaf Dijkgraaf
Approval Manager

SKIL Europe BV, 4825 BD Breda, NL

19.12.2013

CE10

RUMOROSITÀ/VIBRAZIONE

- Misurato in conformità al EN 60335 il livello di pressione acustica di questo utensile è 70 dB(A) ed il livello di potenza acustica 90 dB(A) (deviazione standard: 3 dB), e la vibrazione <2,5 m/s² (metodo mano-braccio; incertezza K = 1,5 m/s²)
- Misurato secondo 2000/14/EG (EN/ISO 3744) il livello di potenza acustica garantito LWA è inferiore a 93 dB(A) (procedimento di valutazione della conformità secondo appendice VI)

Organismo notificato: KEMA, Arnhem, NL

Numero identificativo dell'Organismo notificato: 0344

- Il livello di emissione delle vibrazioni è stato misurato in conformità a un test standardizzato stabilito dalla norma EN 60335; questo valore può essere utilizzato per mettere a confronto un l'utensile con un altro o come valutazione preliminare di esposizione alla vibrazione quando si impiega l'utensile per le applicazioni menzionate

- se si utilizza l'utensile per applicazioni diverse, oppure con accessori differenti o in scarse condizioni, il livello di esposizione potrebbe **umentare** notevolmente

- i momenti in cui l'utensile è spento oppure è in funzione ma non viene effettivamente utilizzato per il lavoro, possono contribuire a **ridurre** il livello di esposizione

! proteggersi dagli effetti della vibrazione effettuando la manutenzione dell'utensile e dei relativi accessori, mantenendo le mani calde e organizzando i metodi di lavoro

H

Szegélynyíró

0730

BEVEZETÉS

- A készüléket bokrok alatt, valamint fűnyíró géppel elérhetetlen lejtőkön és szegélyeken lévő fű és gyom nyírására tervezték
- A szerszám nem professzionális használatra készült

- Ellenőrizze, hogy a csomag tartalmazza-e az ábrán látható összes alkatrészt ②
- Hiányzó vagy sérült alkatrész esetén forduljon a kereskedőhöz
- A használat előtt gondosan olvassa el ezt a kézikönyvet és tartsa meg, hogy később is használhassa** ③
- Kísérje különös figyelemmel a biztonsági utasításokat és figyelmeztetéseket; ennek elmulasztása súlyos sérülést okozhat**

MŰSZAKI ADATOK ①

SZERSZÁMGÉP ELEMEI ②

- A Védőburkolat
- B Vezetőfogantyú
- C Tápkábelt rögzítő horog
- D Reteszelő hüvely
- E Teleszkópos cső
- F Indítókapcsoló
- G Vágópenge védőtok
- H Száladagoló gomb
- J Szálvágó penge
- K Orsósapka
- L Szellőzőnyílások
- M Tároló sín (**csavar nélküli**)
- N Tárolóhorog

BIZTONSÁG

SPECIÁLIS BIZTONSÁGI RENDSZABÁLYOK SZEGÉLYNYÍRÓKHOZ

ÁLTALÁNOS TUDNIVALÓK

- Ismerkedjen meg tüzetesen a kezelőszervekkel és a gép megfelelő használatával
- A balesetekért vagy másokat, illetve anyagi javakat érintő károkért, sérülésekért a felhasználó a felelős
- Csak akkor használja a készüléket, ha a környezeti hőmérséklet 0°C és 40°C között van
- Soha ne szereljen fém vágóelemeket a készülékre

SZEMÉLYI BIZTONSÁGI ELŐÍRÁSOK

- Ezt a szerszámot nem tervezték hiányos fizikai, szenzorális vagy értelmi képességekkel rendelkező személyek (beleértve a gyerekeket), illetve tudással és tapasztalattal nem rendelkező személyek által történő használatra, hacsak ezen személyek számára nem biztosítanak a szerszám használatára vonatkozó kiképzést, illetőleg felügyeletet, egy erre megbízott, a biztonságukért felelős személy által
- Zárja ki annak lehetőségét, hogy a gyerekek játszhatnak a szerszámmal
- A készüléket ne használják gyerekek vagy olyan személyek, akik nem ismerik a használatát
- Tartsa távol az ujjait a védőburkolatba épített szálvágó pengétől**
- Nyírás közben tartsa távol a kezét és a lábát a vágószalaktól, különösen a készülék bekapcsolásakor
- A gép használatakor viseljen védőszemüveget, hosszú nadrágot és erős lábbelit

- Ne működtesse a készüléket emberek közvetlen közelében; ne használja a készüléket, ha emberek (főleg gyerekek) vagy állatok tartózkodnak a közelben
- Ne működtesse a készüléket, ha Ön fáradt, beteg, illetve alkohol vagy más kábítószerek hatása alatt áll

ELEKTROMOS BIZTONSÁGI ELŐÍRÁSOK

- Mindig ellenőrizze, hogy a hálózati feszültség megegyezik-e a gép adattábláján feltüntetett értékkel (a 230V vagy 240V jelzésű gépek 220V feszültségre is csatlakoztathatók)
- Rendszeresen vizsgálja meg a kábelt, és cseréltesse ki szakértő által ha sérült
- Vizsgálja meg rendszeresen a hosszabbítót, és cserélje ki, ha megsérült (a hibás hosszabbító veszélyes lehet)
- Csakis kültéri használatra gyártott hosszabbító kábelt használjon, amely víz ellen védett dugasszal és dugaszolóaljzattal rendelkezik
- Használjon teljesen letekert és biztonságos hosszabbítókábelt, 16 A-es teljesítménnyel
- A szerszám nedves környezetben történő használat esetén használjon maximum 30 mA kioldási határértékű FI relét
- Ne terhelje túl, ne zúzza össze és ne húzza a (hosszabbító) vezetéket
- Tartsa távol a (hosszabbító) vezetéket hőtől, olajtól és éles peremektől
- **Tartsa távol a (hosszabbító) kábelt a forgó vágószálaktól**
- Mindig kapcsolja le a gépet és húzza ki a tápcsatlakozó dugaszt a tápforrásból, ha a tápvezeték vagy hosszabbító elszakadt, megsérült vagy összegabalyodott (ne érjen a tápkábelhez, amíg a dugaszt ki nem húzta)

HASZNÁLAT ELŐTT

- A szerszámot csak napfénynél vagy kellő mesterséges megvilágítás mellett használja
- Minden használat előtt és minden ütközés után ellenőrizze, hogy helyesen működik-e a készülék, és amennyiben meghibásodást észlel, azonnal forduljon szakképzett szerelőhöz (Ön soha ne nyissa ki a készüléket)
- Használat előtt alaposan ellenőrizze a lenyírandó területet, és távolítsa el azokat az akadályokat, amelyekbe a készülék munka közben beakadhat (például kövek, laza fadarabok stb.)

HASZNÁLAT KÖZBEN

- Soha ne használja a szerszámot ha a kábel sérült; cseréltesse ki szakértő által
- Ne működtesse a készüléket, ha a védőburkolat sérült vagy ha a védőburkolat nincs felszerelve
- **A gép kikapcsolása után a vágószálak egy rövid ideig tovább forognak**
- Ne vágjon a készülékkel olyan fűvet, ami nem a talajon van (hanem például falakon vagy sziklákon)
- Működésben lévő készülékkel nem haladjon át úttesten vagy kavicsos ösvényeken
- Vigyázzon, hogy ne terelődjön el a figyelme, és mindig arra összpontosítson, amit csinál
- Mindig húzza ki a tápkábel dugaszát a tápcsatlakozó aljzatból
 - ha a gépet őrizetlenül hagyja

- mielőtt az elakadt anyag eltávolításába kezd
- mielőtt a gép ellenőrzésébe, tisztításába vagy rajta végzendő egyéb tevékenységbe kezd
- ha egy idegen tárgyba ütközött
- ha a gép rendellenesen vibrálni kezd

- Mindig biztosítsa a szellőzőnyílások tisztaságát

A HASZNÁLATOT KÖVETŐEN

- **Mindig kapcsolja ki a készüléket és húzza ki a csatlakozódugót, mielőtt beállításokat végezne, kicserélné az orsót, tisztítaná vagy felügyelet nélkül hagyja a készüléket**

- A szerszám beltéri száraz és zárt helyen tárolja, ahol gyermekek nem férhetnek hozzá

A SZERSZÁMON TALÁLHATÓ SZIMBÓLUMOK MAGYARÁZATA

- ③ **Figyelmeztetés!** Olvassa el a felhasználói kézikönyvet
- ④ A gépet óvja a nedvességtől, különösen esőtől
- ⑤ Viseljen védőszemüveget
- ⑥ **Ügyeljen a szálló hulladékok okozta sérülésveszélyre** (tartsa távol a közelben állókat a munkaterülettől)
- ⑦ Azonnal húzza ki a csatlakozó dugaszt, ha a (hosszabbító) vezetéket a munka során átvágta, vagy egyéb módon megsérült
- ⑧ Kettős szigetelés (földelővezeték nem szükséges)

KEZELÉS

- Védőburkolat ⑩
 - szerelje fel az A védőburkolatot az ábra szerint a mellékelt félgömbfejű csavarral
 - ! **ne használja a készüléket az A védőburkolat nélkül**
- A vezetőfogantyú felszerelése/beállítása ⑪
 - szerelje fel a B vezetőfogantyút az ábra szerint a mellékelt 4 csavarral
 - ! **erősen húzza meg mind a 4 csavart**
- Tápkábel rögzítő horog ⑫
 - akassza be a tápkábelből képzett hurkot a horogba C az ábra szerint
 - a biztos rögzítéshez húzza feszesre a vezetéket
- Magasságbeállítás ⑬

A magasság beállítása úgy, hogy az elől lévő karja a nyírás közben egyenes legyen

 - lazítsa meg a reteszelő hüvelyt D ② az óramutató járásával azonos irányban elforgatva
 - húzza ki a csövet E ② a kívánt magasságra
 - húzza meg a reteszelő hüvelyt D ② az óramutató járásával ellentétes irányban elforgatva
- Be/Ki ⑭
 - kapcsolja be a szerszámot az F indítókapcsoló lenyomásával
 - kapcsolja ki a szerszámot az F indítókapcsoló felengedésével
 - ! **a készülék kikapcsolása után a vágószálak néhány másodpercig még tovább forognak**
 - az ismételt bekapcsolás előtt hagyja, hogy a vágószálak teljesen megálljanak
 - ! **ne végezzen gyors be- és kikapcsolást**
- Nyírás
 - ! **a készülék használata előtt távolítsa el a piros védőtöket G ② a vágópengéről**

! gondoskodjon arról, hogy a munkaterületen ne legyenek kövek, hulladékok vagy más idegen anyagok

! csak akkor kezdje meg a nyírást, ha a készülék már teljes sebességgel működik

- kezdje a munkát a tápcsatlakozó aljzat közelében, és távolodjon tőle a munka során
- a magas fű nyírását rétegesen végezze (mindig felülről kezdve)
- csak a vágószál hegyével végezze a nyírást
- ne nyírjon nedves vagy vizes fűvet
- vigyázzon, hogy a levágott fű ne tömítse el az orsót (ne végezzen erőteljes vágásokat)
- ne terhelje túl a készüléket
- a fák és a bokrok körül óvatosan dolgozzon, hogy azok ne érintkezzenek a vágószálakkal
- tartsa távol a készüléket a szilárd tárgyaktól, hogy védje a vágószálakat a túlzott kopással szemben
- ügyeljen a készülék visszarúgására, ha az szilárd tárgyakhoz ér
- A gép vezetése és tartása ¹⁵
 - magas fű nyírásakor lassan lengesse a készüléket jobbról balra, majd pedig balról jobbra
 - alacsonyabb fű nyírásakor döntse meg a készüléket az ábra szerint
 - szegélynyíráskor fordítsa el a készüléket 180°-os szögben
 - fogja mindkét kézben keményen a szerszámot, hogy ilyenképpen mindig teljesen uralja az eszközt
 - tartson meg egy állandó munkavégzési helyzetet
 - tartsa mindig kellőképpen távol a készüléket a testétől
- Száladagolás ¹⁶
 - a motor működése közben üsse enyhén a H gombot a talajhoz (lehetőleg szilárd felülethez)
 - két vágószál jelenik meg, amelyeket a szálvágó penge J megfelelő hosszúságúra vág
 - ! a készülék használata előtt távolítsa el a piros védőtokot G ² a vágópengéről**
 - ! vigyázzon, hogy ne okozzon sérülést a szálvágó penge J**
 - a száladagolás után és a készülék bekapcsolása előtt mindig állítsa vissza a készüléket a normál üzemi helyzetbe
 - a teljes vágókör fenntartása érdekében rendszeresen végezze el a száladagolást
 - ha a motor terhelés nélkül működik, de nem történik fűnyírás, a vágószálak elkopnak vagy elszakadnak; tekercselje vissza az orsót vagy cserélje ki az orsórendszer
- Az orsó visszatekercselése ¹⁷

Ha a vágószálak nem bújnak ki az orsópakkból K

! kapcsolja ki a gépet és húzza ki a csatlakozódugót

 - vegye ki az orsórendszert a készülékből, majd pedig vegye ki az orsót az orsópakkból K
 - tekercselje vissza szorosan és egyenesen rétegekben a vágószálakat a nyíl irányában
 - illeszse be a két szálát az X jelzésű orsónyílásokba, és gondoskodjon megfelelő rögzítésükről (hagyjon elegendő szálhosszúságot)

- vegesse át a két szálát az Y jelzésű orsónyílásokon, mielőtt visszatenné a visszatekercselt orsót az orsópakkbába K

! ügyeljen arra, hogy az orsó biztonságosan a helyén legyen, majd pedig erős meghúzással engedje ki a szálakat az X jelzésű nyílásokból

- szerelje vissza az orsórendszert a készülékre **(fordítsa el az orsót az oramatató járásával egyező irányba, hogy a helyére kattanjon) ¹⁸**
- Az orsórendszer cseréje ¹⁸

! kapcsolja ki a gépet és húzza ki a csatlakozódugót

 - egyszerűen távolítsa el/szerelje fel a régi/új orsórendszert az ábra szerint
 - a szerszámmal csak a SKIL 2610Z01354 típusszámú orsórendszerét használja **(a más orsórendszer használatából eredő kárra a garancia nem terjed ki)**
 - az orsórendszer cseréje után legalább egy percig terhelés nélkül végezzen próbaüzemet a készülék megfelelő működésének ellenőrzése céljából

KARBANTARTÁS / SZERVIZ

- A szerszám nem professzionális használatra készült
- **Tisztítás és/vagy karbantartás előtt mindig húzza ki a csatlakozódugót a csatlakozóaljzatból**
- Mindig tartsa tisztán a gépet és a vezetéket (különös tekintettel a szellőzőnyílásokra)
 - a készülék tisztítását nedves, puha törülközővel végezze (ne használjon tisztítószert vagy oldószert)
 - tisztán után tisztítsa meg a szálvágó pengét J ² és a védőburkolatot A ²
 - rendszeresen tisztítsa meg a szellőző nyílásokat L ² kefével vagy sűrített levegővel
- Rendszeresen ellenőrizze a vágófej állapotát, valamint a csavarok és a csavaranyák meghúzott állapotát
- Rendszeresen ellenőrizze, hogy nincsenek-e kopott, elhasznált alkatrészek, azokat javíttassa meg, cseréltesse ki szükség szerint
- Tárolás ¹⁹
 - a szerszám **beltéri** száraz és zárt helyen tárolja, ahol gyermekek nem férhetnek hozzá
 - a tároló sánt M rögzítse a falra 4 csavarral **(nem tartozék)** megfelelően vízszintezve és biztonságosan
- Ha a gép a gondos gyártási és ellenőrzési eljárás ellenére egyszer mégis meghibásodna, akkor a javítással csak SKIL elektromos kéziszerszám-műhely ügyfélszolgálatát szabad megbízni
 - küldje az **összeszerelt** gépet a vásárlást bizonyító számlával együtt a kereskedő vagy a legközelebbi SKIL szervizállomás címére (a címlista és a gép szervizdiagramja a www.skil.com címen található)


HIBAELHÁRÍTÁS

- Az alábbi lista a hibajelenségeket, azok lehetséges okait és az elhárítás módját ismerteti (ha ezek között nem található az észlelt hibajelenség, forduljon a márkakereskedőhöz vagy szakszervizhez)

! a készüléket először kapcsolja ki, majd húzza ki a konnektorból, mielőtt a hiba elhárításába kezdene

- ★ A gép nem működik
 - hibás a tápcsatlakozó aljzat -> használjon másik aljzatot
 - a hosszabbító vezeték megsérült -> cserélje ki
- ★ A szerszám szakaszosan működik
 - belső vezetékhiba -> forduljon a márkakereskedőhöz/ szakszervizhez
 - be-/kikapcsoló gomb hibája -> forduljon a márkakereskedőhöz/szakszervizhez
- ★ A készülék rendellenesen vibrál
 - túl magas a fű -> nyírjon fokozatosan
- ★ A készülék nem vág
 - a szál túl rövid/elszakadt -> adagolja kézzel a szálát
- ★ A szál nem adagolható
 - az orsó üres -> cserélje ki az orsót
 - a szál összegubancolódott az orsó belsejében -> ellenőrizze az orsót; szükség esetén tekerceselje vissza
- ★ A készülék nem vágja le megfelelő hosszúságúra a szálát -> vegye el védőtokot a vágópengéről
- ★ A szál állandóan elszakad
 - a szál összegubancolódott az orsó belsejében -> ellenőrizze az orsót; szükség esetén tekerceselje vissza
 - a nyírógép helytelen használata -> csak a szál hegyével végezze a nyírást; kerülje ki a köveket, falakat és más kemény tárgyakat; adagolja rendszeresen a szálát

KÖRNYEZET

- **Az elektromos kéziszerszámokat, tartozékokat és csomagolást ne dobja a háztartási szemétkébe** (csak EU-országok számára)
 - a használt villamos és elektronikai készülékekről szóló 2012/19/EK irányelv és annak a nemzeti jogba való átültetése szerint az elhasznált elektromos kéziszerszámokat külön kell gyűjteni, és környezetbarát módon újra kell hasznosítani
 - erre emlékeztet a  jelzés, amennyiben felmerül az intézkedésre való igény

MEGFELELŐSÉGI NYILATKOZAT C E

- Egyedüli felelősséggel kijelentjük, hogy a "Műszaki adatok" alatt leírt termék megfelel a következő szabványoknak, illetve irányadó dokumentumoknak: EN 60335, EN 61000, EN 55014 a 2006/95/EK, 2004/108/EK, 2006/42/EK, 2000/14/EK, 2011/65/EU irányelveknek megfelelően
- **A műszaki dokumentáció a következő helyen található:** SKIL Europe BV (PT-SEU/ENG1), 4825 BD Breda, NL

Marijn van der Hoofden
Operations & Engineering

Olaf Dijkgraaf
Approval Manager




SKIL Europe BV, 4825 BD Breda, NL

19.12.2013

CE10

ZAJ/REZGÉS

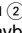

- Az EN 60335 alapján végzett mérések szerint ezen készülék hangnyomás szintje 70 dB(A) a hangteljesítmény szintje 90 dB(A) (normál eltérés: 3 dB), a rezgésszám <math><2,5 \text{ m/s}^2</math> (kézre-ható érték; szórás $K = 1,5 \text{ m/s}^2$)
- A 2000/14/EK (EN/ISO 3744) szabvány szerinti mérések alapján a garantált LWA hangteljesítmény szint alacsonyabb mint 93 dB(A) (a konformitás megállapítási eljárás leírása a VI. függelékben található)
Bejelentett szervezet: KEMA, Arnhem, NL
A bejelentett szervezet azonosítószáma: 0344
- A rezgés-kibocsátási szint mérése az EN 60335 szabványban meghatározott szabványosított teszttel összhangban történik; ez egy eszköznek egy másik eszközzel történő összehasonlítására, illetve a rezgésnek való kitettség előzetes felmérésére használható fel az eszköznek az említett alkalmazásokra történő felhasználása során
 - az eszköznek eltérő alkalmazásokra, vagy eltérő, illetve rosszul karbantartott tartozékokkal történő felhasználása jelentősen **emelheti** a kitettség szintjét
 - az idő, amikor az eszköz ki van kapcsolva, vagy amikor ugyan működik, de ténylegesen nem végez munkát, jelentősen **csökkentheti** a kitettség szintjét
- ! **az eszköz és tartozékai karbantartásával, kezelemében tartásával, és munkavégzésének megszerzésével védje meg magát a rezgések hatásaitól**

CZ

Strunová sekačka

0730

ÚVOD

- Tento nástroj je určen k sekání trávy a plevle pod keři a na svazích a hranách, kam není možné se dostat obyčejnou sekačkou na trávu
- Tento nástroj není určen k profesionálnímu použití
- Zkontrolujte, zda balení obsahuje všechny součásti, jak je zobrazeno na schématu 
- Pokud některé součásti chybí nebo jsou poškozené, obraťte se na prodejce
- **Před použitím si pečlivě přečtěte tento návod s pokyny a si uschovejte jej pro budoucí potřebu **
- **Zvláštní pozornost věnujte bezpečnostním pokynům a výstrahám; při jejich nedodržení se vystavujete nebezpečí vážného úrazu**

TECHNICKÁ DATA

SOUČÁSTI NÁSTROJE

- A Ochranný kryt
- B Vodicí rukojeť
- C Zarážka šňůry
- D Zajišťovací objímka
- E Teleskopická tyč
- F Spouštěcí spínač
- G Kryt řezací čepele
- H Tlačítko pro doplnění struny

- J Čepel na řezání struny
- K Kryt cívky
- L Větrací štěrbiny
- M Skladovací držák (**šrouby nejsou součástí dodávky**)
- N Skladovací háček

BEZPEČNOST

SPECIFICKÉ BEZPEČNOSTNÍ POKYNY PRO STRUNOVÉ SEKAČKY

OBCENĚ

- Seznamte se s ovládacími prvky a správným použitím nástroje
- Uživateli je odpovědný za nehody a nebezpečí hrozící jiným osobám a jejich majetku
- Nástroj používejte pouze při teplotách mezi 0°C a 40°C
- Nikdy na tento nástroj nemontujte kovové sekací prvky

BEZPEČNOST OSOB

- Tento nástroj není určený pro používání osobami (včetně dětí) s omezenými fyzickými, smyslovými či mentálními schopnostmi, nebo s nedostatkem zkušeností a vědomostí, pokud na ně není dohlédnuto nebo nedostali pokyny týkající se zacházení s nástrojem od osoby zodpovědné za jejich bezpečnost
- Postarejte se, aby si děti nehrály s nástrojem
- Nikdy nedovolte, aby nástroj používaly děti či osoby neobeznámené s provozním návodem
- **Nepřikládejte prsty k čepeli na řezání struny zabudované do ochranného krytu**
- Nepřikládejte ruce a nohy k sekacím strunám během sekání, zejména při zapínání nástroje
- Při používání nástroje používejte ochranu očí, noste dlouhé kalhoty a pevnou obuv
- Nikdy nepracujte s nástrojem v bezprostřední blízkosti osoby; vypněte nástroj, pokud jsou v blízkosti osoby (především děti) a domácí zvířata
- Nikdy s nástrojem nepracujte, pokud jste unavení, nemocní nebo pod vlivem alkoholu či jiných drog

ELEKTRICKÁ BEZPEČNOST

- Vždy zkontrolujte, zda je napájecí napětí stejné jako napětí uvedené na typovém štítku nástroje (nářadí určené k napájení 230V nebo 240V lze použít též v síti 220V)
- Pravidelně kontrolujte šňůru a v případě poškození nechte si je kvalifikovaným pracovníkem vyměnit
- Prodlužovací šňůru pravidelně kontrolujte, a pokud je poškozená, vyměňte ji (**nevhodné prodlužovací šňůry mohou být nebezpečné**)
- Používejte pouze takovou prodlužovací šňůru, která je určena k venkovnímu použití a je vybavena vodotěsnou zástrčkou a spojovací zásuvkou
- Používejte zcela rozvinuté a bezpečné prodlužovací šňůry o kapacitě 16 ampér
- Při práci s nářadím ve vlhkém prostředí používejte proudový chránič se spouštěcím proudem maximálně 30 mA
- Přes (prodlužovací) šňůru nepřejíždějte, nezatažujte ji ani za ni netahejte
- Chraňte (prodlužovací) šňůru před žárem, olejem a ostrými hranami

- **Udržujte (prodlužovací) šňůru v dostatečné vzdálenosti od točící se sekací struny**
- Dojde-li k přeseknutí, poškození nebo zamotání prodlužovacího kabelu napájení, nástroj vždy vypněte a odpojte od zdroje napájení (**před odpojením od napájení se kabelu nedotýkejte**)

PŘED POUŽITÍM

- Toto nářadí používejte pouze za denního světla nebo s patřičným umělým osvětlením
- Před každým použitím a po každém nárazu zkontrolujte funkčnost nástroje; v případě poruchy jej nechte ihned opravit kvalifikovanou osobou (nástroj nikdy sami neotevírejte)
- Před použitím důkladně zkontrolujte oblast sekání a odstraňte všechny předměty, které by nástroj mohl při sekání odmrštit (např. kameny, malé kousky dřeva apod.)

BĚHEM POUŽITÍ

- Píla se nesmí používat, je-li její přívodní šňůra poškozená; nechte si je kvalifikovaným pracovníkem vyměnit
- Nikdy s nástrojem nepracujte, pokud je ochranný kryt poškozený nebo pokud není nasazený
- **Sekací struny ještě chvíli po vypnutí nástroje pokračují v otáčivém pohybu**
- Nesekejte trávu, která není na zemi (tj. na zdech nebo kamenech)
- Nepřecházejte cesty nebo štěrkové pěšiny, pokud nástroj stále běží
- Nenechávejte se vyrušit a vždy se soustřeďte na to, co děláte
- Zástrčku vždy odpojujte od zdroje napájení
 - kdykoli ponecháváte nástroj bez dozoru
 - před čištěním uviznutého materiálu
 - před kontrolou, čištěním nebo prací na přístroji
 - po naražení do cizího předmětu
 - kdykoli nástroj začne neobvykle vibrovat
- Vždy se ujistěte, zda nejsou ventilační otvory zanesené

PO POUŽITÍ

- **Před prováděním úprav, výměnou cívek, čištěním nebo ponecháním nástroje bez dozoru po delší dobu nástroj vždy vypněte a odpojte zástrčku od elektrické sítě**

- Nástroj skladujte **uvnitř budov** na suchém a uzamčeném místě mimo dosah dětí

VYSVĚTLENÍ SYMBOLŮ NA NÁŘADÍ

- ③ Varování! Přečtěte si návod k použití
- ④ Nevystavujte nářadí dešti
- ⑤ Noste ochranné brýle
- ⑥ Chraňte se před zraněními způsobenými **poletujícími částicemi materiálu** (zajistěte, aby se osoby v okolí nacházely v bezpečné vzdálenosti od pracovního prostoru)
- ⑦ Pokud se (prodlužovací) šňůra při práci poškodí nebo přesekne, okamžitě ji odpojte ze zásuvky
- ⑧ Dvojitá izolace (není nutný zemnicí drát)

OBSLUHA

- Ochranný kryt ⑩
 - namontujte ochranný kryt A, jak je uvedeno na ilustraci, pomocí dodaných šroubů s půlkulovou hlavou
- ! nástroj nikdy nepoužívejte bez ochranného krytu A

- Namontování/seřízení vodící rukojeti ⑪
 - namontujte vodící kryt B, jak je uvedeno na ilustraci, pomocí 4 dodaných šroubů
- ! **pevně utáhněte všechny 4 šrouby**
- Zarážka šňůry ⑫
 - zahákněte smyčku na prodlužovací šňůře za záražku C, jak znázorňuje obrázek
 - pevným utažením prodlužovací šňůry zajistěte
- Seřízení výšky ⑬

Seřízení nástroje tak, abyste měli přední ruku při sekání narovnanou

 - uvolněte zajišťovací objímku D ② otočením po směru hodinových ručiček
 - prodlužte tyč E ② na požadovanou výšku
 - utáhněte zajišťovací objímku D ② otočením proti směru hodinových ručiček
- Zapnuto/vypnuto ⑭
 - zapněte nářadí stisknutím přepínače F
 - vypnete nářadí uvolněním přepínače F
- ! **sekací struny se po vypnutí nástroje ještě několik sekund otáčejí**
- před dalším zapnutím nechte sekací struny úplně zastavit
- ! **nástroj rychle nezapínejte a nevypínejte**
- Sekání
 - ! **zajistěte, aby se před používáním nástroje odstranil červený kryt G ② z čepele pro řezání struny**
 - ! **zajistěte, aby se v oblasti sekání nenacházely kameny, suš a jiné cizí objekty**
 - ! **začněte sekat, až když nástroj nabere plnou rychlost**
 - začněte s prořezáváním poblíž zásuvky a při práci se posunujte směrem od ní
 - vysokou travu sekejte ve vrstvách (vždy začněte nahore)
 - sekejte pouze hrotem sekací struny
 - nesekejte vlhkou či mokrou travu
 - zabraňte tomu, aby posekaná tráva ucpala cívku (nesekejte příliš dlouho)
 - nástroj nepřetěžujte
 - kolem stromů a keřů sekejte opatrně, aby nepřišly do kontaktu se sekacími strunami
 - udržujte nástroj v dostatečné vzdálenosti od pevných objektů, aby se sekací struny chránily před přílišným opotřebením
 - nezapomínejte na zpětné nárazy, ke kterým dochází při dotyku s pevným předmětem
- Držení a vedení nástroje ⑮
 - při sekání vysoké trávy pomalu kývejte nástrojem zprava doleva a zpátky
 - při sekání kratší trávy nakloňte nástroj podle ilustrace
 - při sekání okrajů otočte nástroj o 180°
 - uchopte nástroj pevně oběma rukama, abyste jej za všech okolností dokonale ovládali
 - udržujte pevný pracovní postoj
 - nástroj držte vždy v bezpečné vzdálenosti od těla
- Doplnňování struny ⑯
 - lehce klepněte tlačítkem H o zem (nejlépe na pevném povrchu), zatímco běží motor
 - uvolní se dvě sekací struny a na správnou délku se užijou řezací čepelí J

! **zajistěte, aby se před používáním nástroje odstranil červený kryt G ② z čepele pro řezání struny**

! **dávejte pozor na zranění způsobená čepelí pro řezání struny J**

- po doplnění struny nástroj vždy vraťte do normální pracovní polohy, než jej zapnete
- strunu pravidelně doplňujte, aby se zachoval celý sekací kruh
- pokud motor běží bez odporu a neseká se žádná tráva, tak jsou sekací struny opotřebované nebo polámané; naviňte cívku nebo systém cívky nahraděte
- Navíjení cívky ⑰

V případě, že sekací struny přestanou vyčnívat z krytu cívky K

 - ! **vypněte nářadí a odpojte zástrčku**
 - vyjměte systém cívky z nástroje a vyjměte cívku z krytu cívky K
 - pevně naviňte obě sekací struny v rovnoměrných vrstvách ve směru šípky
 - vložte obě struny do drážek cívky X a přesvědčte se, že jsou pevně na místě (ponechtejte dostatečnou délku struny)
 - proverte obě struny otvory cívky Y, než navinutou cívku umístíte do krytu cívky K
- ! **presvědčte se, že je cívka umístěna pevně a potom silným zatáhnutím uvolněte obě struny z drážek X**
- namontujte systém cívky na nástroj (otáčejte cívku po směru hodinových ručiček, dokud nezapadne na místo) ⑱

- Výměna systému cívky ⑲

! **vypněte nářadí a odpojte zástrčku**

- jednoduše vyjměte/namontujte starý/nový systém cívky podle ilustrace
- používejte u tohoto nástroje pouze systém cívky SKIL 2610Z01354 (na poškození způsobené použitím jiných systémů cívky se nevztahuje záruka)
- po výměně systému cívky chovz nástroje testujte minimálně jednu minutu bez namáhání, abyste se přesvědčili, že nástroj funguje správně

ÚDRŽBA / SERVIS

- Tento nástroj není určen k profesionálnímu použití
- **Před čištěním nebo údržbou vždy vytáhněte zástrčku nástroje z elektrické sítě**
- Nástroj a přívodní šňůru udržujte čisté (zejména větrací šterbiny)
 - očistěte nářadí vlhkým hadříkem (nepoužívejte žádné čisticí prostředky ani rozpouštědla)
 - po každém použití očistěte čepel pro řezání struny J ② a ochranný kryt A ②
 - pravidelně čistěte ventilační L ② otvory kartáčkem nebo stlačeným vzduchem
- Pravidelně kontrolujte stav sekací hlavy a utažení matic a šroubů
- Pravidelně kontrolujte, zda jednotlivé součásti nejsou opotřebované či poškozené, a v případě potřeby je nechte opravit či vyměnit
- Skladování ⑲
 - nástroj skladujte **uvnitř budov** na suchém a uzamčeném místě mimo dosah dětí

- skladovací držák M pevně namontujte na stěnu pomocí 4 šroubů (**nedodávají se s náradím**) ve vodorovné poloze
- Pokud dojde i přes pečlivou výrobu a náročné kontroly k poruše nástroje, svěďte provedení opravy autorizovanému servisnímu středisku pro elektronářadí firmy SKIL
 - zašlete nástroj **nerozebraný** spolu s potvrzením o nákupu své prodejny nebo nejbližšímu servisu značky SKIL (adresy a servisní schéma nástroje najdete na www.skil.com)

ŘEŠENÍ PROBLÉMU

- Následující seznam uvádí příznaky problémů, možné příčiny a způsoby nápravy (pokud vám k určení problému a jeho vyřešení nepomůže, obraťte se na svého prodejce nebo servis)
 - ! **před zkoumáním problému náradí vypněte a odpojte ze zásuvky**
- ★ Nástroj nefunguje
 - vadná zásuvka zdroje napájení -> použijte jinou zásuvku
 - prodlužovací šňůra je poškozená -> vyměňte prodlužovací šňůru
- ★ Náradí pracuje přerušovaně
 - poškozená vnitřní kabeláž -> obraťte se na prodejce či servis
 - vadný vypínač -> obraťte se na prodejce či servis
- ★ Nástroj přehnaně vibruje
 - tráva příliš vysoká -> sekejte postupně
- ★ Nástroj neseká
 - struna je příliš krátká/zlomená -> doplňte strunu ručně
- ★ Není možné doplnit strunu
 - cívka je prázdná -> vyměňte cívku
 - struna je zamotaná uvnitř cívky -> prohlédněte cívku a v případě nutnosti ji navíňte
- ★ Struna není uříznutá na správnou délku -> odstraňte kyt z řezací čepele
- ★ Struna se stále láme
 - struna je zamotaná uvnitř cívky -> prohlédněte cívku a v případě nutnosti ji navíňte
 - sekačka se používá nesprávně -> sekejte pouze hrotem struny; vyhybejte se kamenům, zdem a jiným pevným objektům; pravidelně doplňujte strunu

ŽIVOTNÍ PROSTŘEDÍ

- **Elektrické náradí, doplňky a balení nevyhazujte do komunálního odpadu** (jen pro státy EU)
 - podle evropské směrnice 2012/19/EG o nakládání s použitými elektrickými a elektronickými zařízeními a odpovídajících ustanovení právních předpisů jednotlivých zemí se použítá elektrická náradí, musí sbírat odděleně od ostatního odpadu a podrobit ekologicky šetrnému recyklování
 - symbol ⑨ na to upozorňuje

PROHLÁŠENÍ O SHODĚ CE

- Prohlašujeme v plné naší zodpovědnosti, že v odstavci "Technická data" popsaný výrobek je v souladu s následujícími normami nebo normativními dokumenty: EN 60335, EN 61000, EN 55014 podle ustanovení směrnice 2006/95/ES, 2004/108/ES, 2006/42/ES, 2000/14/ES, 2011/65/EU

- **Technická dokumentace u:** SKIL Europe BV (PT-SEU/ENG1), 4825 BD Breda, NL

Marijn van der Hoofden
Operations & Engineering

Olaf Dijkgraaf
Approval Manager




SKIL Europe BV, 4825 BD Breda, NL

19.12.2013

CE10

HLUČNOSTI/VIBRACÍ

- Měřeno podle EN 60335 činí tlak hlukové vlny tohoto přístroje 70 dB(A) a dávka hlučnosti 90 dB(A) (standardní odchylka: 3 dB), a vibrací $2,5 \text{ m/s}^2$ (metoda ruka-paže; nepřesnost K = 1,5 m/s^2)
- Měřeno podle 2000/14/ES (EN/ISO 3744) zaručená dávka hlučnosti LWA je nižší než 93 dB(A) (metoda posouzení shody podle dodatku VI)
 - Ohlašovací orgán : KEMA, Arnhem, NL
 - Identifikační číslo ohlašovacího orgánu : 0344
- Úroveň vibrací byla měřena v souladu se standardizovaným testem podle EN 60335; je možné ji použít ke srovnání jednoho přístroje s druhým a jako předběžné posouzení vystavování se vibracím při používání přístroje k uvedeným aplikacím
 - používání přístroje k jiným aplikacím nebo s jiným či špatně udržovaným příslušenstvím může zásadně **zvýšit** úroveň vystavení se vibracím
 - doba, kdy je přístroj vypnutý nebo kdy běží, ale ve skutečnosti není využíván, může zásadně **snížit** úroveň vystavení se vibracím
- ! **chráňte se před následky vibrací tak, že budete dbát na údržbu přístroje a příslušenství, budete si udržovat teplé ruce a uspořádáte si své pracovní postupy**

TR

Misinalı çim biçme makinesi

0730

GİRİS

- Bu alet, çalınların altında ve aynı zamanda çim biçme makinesiyle ulaşılamayan eğim ve kenarlarda bulunan çimen ve yabani otları biçmeye yönelik olarak tasarlanmıştır
- Bu alet profesyonel kullanıma yönelik değildir
- Ambalajın içinde, çizim 2'de gösterilen tüm parçaların bulunup bulunmadığını kontrol edin
- Parçaların eksik veya hasarlı olması durumunda bayinizle temasa geçin
- **Kullanmadan önce bu kılavuzu dikkatli bir şekilde okuyun ve ileride ihtiyacınız olduğunda kullanmak için saklayın** ③
- **Güvenlik talimatlarına ve uyarılarına özel bir dikkat gösterin; bunlara uyulmaması ciddi yaralanmalarına neden olabilir**

TEKNİK VERİLER ①

ALET BİLEŞENLERİ ②

- A Kesme koruyucu başlığı
- B Yönlendirme tutamağı
- C Kablo tutucu
- D Kilitleme manşonu
- E Teleskopik boru
- F Tetik svç
- G Kesme bıçağı kılıfı
- H Misina besleme düğmesi
- J Misina kesme bıçağı
- K Makara kapağı
- L Havalandırma yuvaları
- M Saklama rayı (vidalar ürünle birlikte verilmez)
- N Saklama çengeli

GÜVENLİK

MİSİNALI ÇİM BİÇME MAKİNELERİNE ÖZEL GÜVENLİK TALİMATLARI

GENEL

- Aletin kumandalarını ve doğru şekilde kullanımını öğrenin
- İnsanların yaralanmalarından veya nesnelere oluşan zararlardan kullanıcı sorumludur
- Aleti sadece ortam sıcaklığı 0°C ile 40°C arasındayken kullanın
- Bu alete asla metal kesme elemanları takmayın

KİŞİLERİN GÜVENLİĞİ

- Bu alet, güvenliklerinden sorumlu bir kişi tarafından aletin kullanımı ile ilgili gözetim ve açıklama sağlanmadığı takdirde fiziksel, duyuşsal ya da zihinsel olarak gelişmemiş ya da yeterli bilgi ve deneyime sahip olmayan kişiler (çocuklar dahil) tarafından kullanılmamalıdır
- Çocukların aletle oynamasını engelleyin
- Çocukların ve kullanma talimatları konusunda bilgisi olmayan kişilerin bu aleti kullanmalarına asla izin vermeyin
- **Kesme koruyucu başlığa entegre olan misina kesme bıçağından parmaklarınızı uzak tutun**
- Özellikle aleti çalıştırırken, ellerinizi ve ayaklarınızı çim biçme işlemi esnasında kesme misinalarından uzak tutun
- Aleti kullanırken her zaman koruyucu gözlük kullanın, uzun pantolonlar ve sağlam ayakkabılar giyin
- Aleti asla doğrudan insanların yakınında kullanmayın; yakında insanlar (özellikle çocuklar) veya evcil hayvanlar bulunuyorsa aleti kullanmayın
- Yorgunken, hastayken veya alkol ya da diğer ilaçların etkisi altındayken asla aleti kullanmayın

ELEKTRİKSEL GÜVENLİK

- Güç geriliminin, aletin özellik plakasında belirtilen voltaj değeriyle aynı olduğunu sık sık kontrol edin (230V veya 240V aletler 220V kaynağa bağlanabilir)
- Düzenli aralıklarla kablosunu kontrol edin ve hasar gören kısımlarını yetkili servis personeli tarafından değiştirilmesini sağlayın
- Düzenli aralıklarla uzatma kablosunu inceleyin ve hasar varsa değiştirin (uygun olmayan uzatma kabloları tehlikeli olabilir)

- Yalnızca dış ortamlarda kullanılmak üzere tasarlanmış ve su geçirmez bir fişi olan ek prizli uzatma kablosu kullanın
- Tamamen kusursuz ve güvenli 16 Amp uzatma kabloları kullanın
- Aleti nemli ortamlarda kullanırken, en fazla 30 mA tetikleyici akıma sahip bir artık akım cihazı (AKC) kullanın
- Kabloyu (uzatma) basmayın, ezmeyin veya çekmeyin
- Kabloyu (uzatma) ısıya, yağa ve sivri cisimlere karşı koruyun
- **Kabloyu (uzatma) dönen kesme misinalarından uzak tutun**
- Elektrik veya uzatma kablosunun kesilmesi, zarar görmesi veya karışması durumunda aleti kapatın ve fişini elektrik kaynağından çekin (**fişi çekmeden önce kabloya dokunmayın**)

KULLANMADAN ÖNCE

- Aleti sadece gün ışığında veya uygun yapay aydınlatma altında kullanın
- Her kullanımı öncesinde ve herhangi bir darbe sonrasında cihazın çalışmasını kontrol edin, herhangi bir arıza durumunda, hiç vakit kaybetmeden yetkili servis personeli tarafından onarılmasını sağlayın, cihazı kesinlikle kendiniz açmaya çalışmayın
- Kullanmadan önce kesme işlemi yapılacak alanı iyice kontrol edin ve kesme işlemi esnasında aletin fırlatabileceği tüm nesnelere temizleyin (taşlar, ağaç parçaları gibi)

KULLANIM SIRASINDA

- Kordon hasarlı iken cihazı kesinlikle kullanmayın; uzman bir kişi tarafından değiştiriniz
- Asla aleti hasarlı bir kesme koruyucu başlığıyla birlikte ya da kesme koruyucu başlığı takılı olmadan kullanmayın
- **Alet kapatıldıktan sonra, kesme misinaları kısa bir süre daha dönmeye devam eder**
- Toprak üzerinde olmayan çimleri kesmeyin (ör. duvarlar veya kayalar üzerindeki)
- Çalışan bir aletle yollardan veya çakıl patikalardan karşıya geçmeyin
- Dikkatinizi başka yöne vermeyin ve her zaman yaptığınız işe konsantre olun
- Aşağıdaki durumlarda aletin fişini daima elektrik kaynağından çekin
 - aleti her gözetimsiz bıraktığınızda
 - sıkışan maddeleri temizlemeden önce
 - alet üzerinde kontrol, temizlik işlemi veya çalışma gerçekleştirilmeden önce
 - yabancı bir maddeye çarptıktan sonra
 - alet anormal şekilde titremeye başladığında
- Havalandırma deliklerinin her zaman temiz kalmasını sağlayın

KULLANIMDAN SONRA

- **Ayar yapmadan, makaraları değiştirmeden, temizleme işleminden veya herhangi bir süre için aleti gözetimsiz bıraktıktan önce daima kapatın ve fişini çekin**
- Aleti, çocukların erişemeyeceği, iç mekanlarda kilitleti ve kuru bir yerde saklayın

ALET ÜZERİNDEKİ SİMGELERİN AÇIKLAMASI

③ **Uyarı!** Kullanmadan önce kılavuzu okuyun

④ Aleti yağmura maruz bırakmayın

⑤ Koruyucu gözlük giyin

- ⑥ **Fırılayan çöpler tarafından meydana gelebilecek yaralanma tehlikelerine dikkat edin** (seyredenleri çalışma alanında güvenli bir uzaklıkta tutun)
- ⑦ Çalışma esnasında kablo (uzatma) hasar görürse veya kesilirse hemen aletini fişini prizden çekin
- ⑧ Çift yalıtım (topraklama kablosu gerekli değildir)

KULLANIM

- Kesme koruyucu başlığı ⑩
 - gösterildiği gibi ürünle birlikte verilen yuvarlık başlı vidayla kesme koruyucu başlığını A takın
 - ! aleti asla kesme koruyucu başlığı A olmadan kullanmayın**
- Yönlendirme tutamağının takılması/ayarlanması ⑪
 - gösterildiği gibi ürünle birlikte verilen 4 adet vidayı kullanarak yönlendirme tutamağını B takın
 - ! 4 vidanın hepsini iyice sıkın**
- Kablo tutucu ⑫
 - kablo tutucu C üzerine gösterildiği gibi uzatma kablosundaki düğümü bağlayın
 - uzatma kablosunu güvenceye almak için sıkı şekilde çekin
- Boyun ayarlanması ⑬
 - Kesme işleminde öndeki kolunuzun düz olacak şekilde alet boyunun ayarlanması
 - saat yönünde çevirerek kilitleme manşonunu D ② gevşetin
 - boruyu E ② istediğiniz boya uzatın
 - saat yönünün tersinde çevirerek kilitleme manşonunu D ② sıkın
- Açma/kapama ⑭
 - tetik svicini F getirerek aleti çalıştırın
 - tetik svicini F bırakarak aleti kapatın
 - ! aleti kapattıktan sonra kesme misinaları birkaç saniye daha dönmeye devam eder**
 - aleti yeniden açmadan önce kesme misinalarının durmasını bekleyin
 - ! aleti hızlı şekilde açıp kapatmayın**
- Çim biçme
 - ! aleti kullanmadan önce misina kesme bıçağından kırmızı kılıfın G ② çıkarılmış olduğundan emin olun**
 - ! kesme işlemi yapılacak alanda taşların, molozların ve diğer yabancı maddelerin bulunmadığından emin olun**
 - ! sadece alet tam hızda dönerken biçme işlemine başlayın**
 - kesme işlemine prizden yakınından başlayın ve çalışarak uzağa doğru gidin
 - uzun çimleri kat kat kesin (daima üstten başlayın)
 - sadece kesme misinasının ucuyla kesin
 - nemli veya ıslak çimler kesmeyin
 - kesilen çimlerin makarayı tıkamasını önleyin (yoğun kesimler yapmayın)
 - alete fazla yüklenmeyin
 - ağaç ve çalı etrafını kesme misinalarıyla temas etmeyecek şekilde dikkatlice kesin
 - aleti, kesme misinaların aşırını yıpranmasını karşılamak için sert nesnelere uzak tutun
 - sert nesnelere temas edildiğinde oluşacak geri tepme güçlerine karşı hazırlıklı olun

- Aletin tutulması ve kullanılması ⑮
 - uzun çimleri kesmek için aleti sağdan sola ve soldan sağa hareket ettirin
 - kısa çimleri kesmek için aleti gösterildiği gibi eğin
 - kenarları biçmek için aleti 180° döndürün
 - cihaz üzerinde her an kontrol sahibi olmak için, iki elinizle sıkıca tutunuz
 - dengeli bir çalışma pozisyonu sağlayın
 - daima aleti vücudunuzdan uzakta tutun
- Misina besleme ⑯
 - motor çalışırken düğmeyi H hafifçe yere vurun (tercihen sert bir zemine)
 - iki kesme misinası serbest bırakılır ve kesme bıçağı J tarafından doğru uzunlukta kesilir
 - ! aleti kullanmadan önce misina kesme bıçağından kırmızı kılıfın G ② çıkarılmış olduğundan emin olun**
 - ! misina kesme bıçağından J kaynaklanabilecek yaralanmalara dikkat edin**
 - misina besleme işleminden sonra aleti kapatmadan önce daima normal çalışma konumuna getirin
 - tam kesme döngüsünü korumak için düzenli aralıklarla misina beslemesi yapın
 - motor boşta çalışıyor ve çimen kesilmiyorken kesme misinaları aşırını veya kesilir; makarayı geri sarın veya makara sistemini değiştirin
- Makaranın geri sarılması ⑰
 - Kesme misinalarının makara kapağından K çıkmaması durumunda
 - ! aleti kapatın ve fişi prizden çekin**
 - makara sistemini aletten çıkarın ve makarayı makara kapağından K çıkarın
 - her iki kesme misinasını eşit şekilde kat kat ok yönünde sıkıca geri sarın
 - her iki misinayı makara yarıklarına X takın ve sıkıca yerlerinden olduğundan emin olun (misinanın yeterli uzunluğunu bırakın)
 - tekrar sarılan makarayı makara kapağına K yerleştirmeden önce her iki misinayı makara deliklerinin Y içinden geçirin
 - ! makaranın sıkıca yerine yerleştirildiğinden emin olun, ardından misinaları sıkıca çekerek her ikisini de yarıklardan çözün**
 - makara sistemini alete takın (yerine oturana kadar makarayı saat yönünde çevirin) ⑱
- Makara sisteminin değiştirilmesi ⑱
 - ! aleti kapatın ve fişi prizden çekin**
 - sadece eski/yeni makara sistemini gösterildiği gibi çıkarın/takın
 - bu aletle birlikte sadece SKIL makara sistemi 2610Z01354 kullanın (**diğer makara sistemlerinin kullanılmasından kaynaklanan zarar garantisi kapsamında değildir**)
 - makara sisteminin değiştirilmesinden sonra aletin doğru olarak çalıştığından emin olmak için aleti yüksüz olarak bir dakika süreyle test çalışmasına tabi tutun

BAKIM / SERVİS

- Bu alet profesyonel kullanıma yönelik değildir
- **Temizleme ve/veya bakım işleminden önce mutlaka şebeke fişini prizden çekin**

- Aleti ve kablosunu daima temiz tutun (özellikle havalandırma yuvalarını)
 - aleti nemli ve yumuşak bir bezle temizleyin (temizlik maddeleri veya solventleri kullanmayın)
 - her kullanımdan sonra misina kesme bıçağını J ② ve kesme koruyucu başlığını A ② temizleyin
 - havalandırma deliklerini L ② fırça veya basınçlı hava yardımıyla düzenli olarak temizleyin
- Düzenli aralıklarla kesme kafasını ve somunların, civataların ve vidaların sıklığını kontrol edin
- Düzenli aralıklarla parçaları aşınmaya ve hasara karşı kontrol edin ve gerektiğinde onarılmasını/değiştirilmesini sağlayın
- Saklama ⑩
 - aleti, çocukların erişemeyeceği, **iç mekanlarda** kilitli ve kuru bir yerde saklayın
 - saklama rayını M duvara 4 adet vidayla (**ürünle birlikte verilmmez**) monte edin ve yatay olarak dengeleyin
- Dikkatli biçimde yürütülen üretim ve test yöntemlerine rağmen aleti arıza yapacak olursa, onarım SKIL elektrikli aletleri için yetkili bir serviste yapılmalıdır
 - aleti ambalajıyla birlikte satın alma belgenizide ekleyerek satıcınıza veya en yakın SKIL servisine ulaştırın (adresler ve aletin servis şemaları www.skil.com adresinde listelenmiştir)

SORUN GIDERME

- Aşağıdaki liste, sorunların belirtilerini, muhtemel nedenlerini ve düzeltici eylemleri gösterir (bunlar sorunu belirlemez ve düzeltilmezse satıcınızla veya servisle iletişime geçin)
 - ! **sorunu araştırmadan önce aleti kapatın ve fişini prizden çekin**
- ★ Alet çalışmıyor
 - güç kaynağı prizi arızası -> başka priz kullanın
 - uzatma kablosu hasarlı -> uzatma kablosunu değiştirin
- ★ Alet kesik kesik çalışıyor
 - iç kablo tesisatı arızası -> satıcı/servis merkezine iletişime geçin
 - açma/kapama düğmesi arızası -> satıcı/servis merkezine iletişime geçin
- ★ Alet anormal olarak titriyor
 - çimler çok uzun -> kademeli olarak kesin
- ★ Alet kesmiyor
 - misina çok kısa/kopmuş -> misinayı manuel olarak çıkarın
- ★ Misina dışarı çıkıyor
 - makara boş -> makarayı değiştirin
 - misina makara içinde dolaşmış -> makarayı inceleyin; gerekliyse geri sarın
- ★ Misina doğru uzunlukta kesilmiyor -> kılıfı kesme bıçağından çıkarın
- ★ Misina devamlı kopuyor
 - misina makara içinde dolaşmış -> makarayı inceleyin; gerekliyse geri sarın
 - biçme makinesi doğru olarak kullanılmamış -> sadece misinanın uç kısmıyla kesim yapın; taş, duvar ve diğer sert nesnelere temastan kaçının; misinayı düzenli olarak dışarı çıkarın

ÇEVRE

- **Elektrikli aletlerini, aksesuarları ve ambalajları evdeki çöp kutusuna atmayınız** (sadece AB ülkeleri için)
 - kullanılmış elektrikli aletleri, elektrik ve elektronik eski cihazlar hakkındaki 2012/19/EC Avrupa yönergelerine göre ve bu yönergeler ulusal hukuk kurallarına göre uyarlanarak, ayrı olarak toplanmalı ve çevre şartlarına uygun bir şekilde tekrar değerlendirmeye gönderilmelidir
 - sembol ⑨ size bunu anımsatmalıdır

UYGUNLUK BEYANI CE

- Tek sorumlu olarak "Teknik veriler" bölümünde tanımlanan ürünün aşağıdaki norm veya normatif belgelere uygunluğunu beyan ederiz: EN 60335, EN 61000, EN 55014 yönetmeliği hükümleri uyarınca 2006/95/EG, 2004/108/EG, 2006/42/EG, 2000/14/EG, 2011/65/EU
- **Teknik belgelerin bulunduğu merkez:** SKIL Europe BV (PT-SEU/ENG1), 4825 BD Breda, NL

Marijn van der Hoofden Olaf Dijkgraaf
Operations & Engineering Approval Manager

SKIL Europe BV, 4825 BD Breda, NL

19.12.2013

CE10

GÜRÜLTÜ/TİTREŞİM

- Ölçülen EN 60335 göre ses basıncı bu makinanın seviyesi 70 dB(A) ve çalışma sırasındaki gürültü 90 dB(A) (standart sapma: 3 dB), ve titreşim <2,5 m/s² (el-kol metodu; tolerans K = 1,5 m/s²)
- Ölçülen 2000/14/EG (EN/ISO 3744) göre güvenceli ses gücü düzeyi LWA 93 dB(A) değerinden daha düşüktür (uygunluğa ilişkin değerlendirme yöntemi Ek VI'e göredir) Onaylayan kuruluş: KEMA, Arnhem, NL Onaylayan kuruluşun sicil numarası: 0344
- Titreşim emisyon seviyesi EN 60335'te sunulan standart teste göre ölçülmüştür; bu seviye, bir aleti bir başkasıyla karşılaştırmak amacıyla ve aletin söz konusu uygulamalarda kullanılması sırasında titreşime maruz kalma derecesinin ön değerlendirmesi olarak kullanılabilir
 - aletin farklı uygulamalar için veya farklı ya da bakım yetersiz yapılmış aksesuarlarla kullanılması, maruz kalma seviyesini belirgin biçimde **artırabilir**
 - aletin kapalı olduğu veya çalıştığı ancak gerçek anlamda iş yapmadığı zamanlarda, maruz kalma seviyesi belirgin biçimde **azalabilir**
- ! **aletin ve aksesuarların bakımını yaparak, ellerinizi sıcak tutarak ve iş modellerinizi düzenleyerek kendinizi titreşimin etkilerinden koruyun**

WSTĘP

- To narzędzie służy do przycinania trawy i chwastów pod krzakami oraz na zboczach i krawędziach, których nie można osiągnąć przy użyciu kosiarki
- Narzędzie nie jest przeznaczone do zastosowań profesjonalnych
- Należy sprawdzić, czy opakowanie zawiera wszystkie części pokazane na rysunku ②
- W razie braku lub uszkodzenia części, skontaktuj się dealerem
- **Proszę dokładnie przeczytać niniejszą instrukcję przed rozpoczęciem eksploatacji i zachować ją na przyszłość ③**
- **Proszę zwrócić szczególną uwagę na instrukcje i ostrzeżenia odnoszące się do bezpieczeństwa obsługi; ich nieprzestrzeganie może prowadzić do poważnego uszkodzenia**

DANE TECHNICZNE ①

ELEMENTY NARZĘDZIA ②

- A Osłona
- B Uchwyt prowadzący
- C Ogranicznik przewodu
- D Tuleja blokująca
- E Rura teleskopowa
- F Włócznik
- G Osłona ostrza
- H Przycisk zwalniania żyłki
- J Ostrze przycinające żyłkę
- K Pokrywa szpuli
- L Szczeliny wentylacyjne
- M Szyna do zawieszania (**śruby nie są dostarczane wraz z narzędziem**)
- N Hak do zawieszania

BEZPIECZEŃSTWO

INFORMACJE O BEZPIECZEŃSTWIE DOTYCZĄCE MOTOKOS

OGÓLNE

- Należy zapoznać się z elementami sterującymi narzędzia i zasadami jego prawidłowej obsługi
- Użytkownik ponosi odpowiedzialność za wypadki lub sytuacje zagrożenia dotyczące innych osób lub ich mienia
- Narzędzia należy używać wyłącznie w temperaturze 0–40°C
- Narzędzie nie jest przystosowane do pracy z ostrzami metalowymi

BEZPIECZEŃSTWO OSÓB

- To urządzenie nie może być obsługiwane przez osoby (włącznie z dziećmi) o obniżonych zdolnościach fizycznych, sensorycznych lub umysłowych, nieposiadające stosownego doświadczenia i wiedzy, chyba że używają go pod nadzorem osoby odpowiedzialnej za ich bezpieczeństwo lub zostały przez

nią odpowiednio poinstruowane w zakresie obsługi urządzenia

- Upewnić się, że dzieci nie bawią się urządzeniem
- Nigdy nie zezwalać na korzystanie z narzędzia dzieciom ani osobom, które nie zapoznały się z instrukcją obsługi
- **Nie zbliżać palców do ostrza zintegrowanego z osłoną**
- Podczas pracy z narzędziem, a zwłaszcza podczas jego włączania, nie zbliżać dłoni i stóp do żyłki tnącej
- Podczas pracy z narzędziem należy nosić osłonę oczu, spodnie z długimi nogawkami i solidne obuwie
- Nie należy korzystać z narzędzia w pobliżu innych osób. Jeśli w pobliżu znajdują się inne osoby (zwłaszcza dzieci) lub zwierzęta, należy zaprzestać korzystania z urządzenia
- Nigdy nie należy korzystać z urządzenia w przypadku zmęczenia lub pozostawiania pod wpływem alkoholu lub innych substancji psychoaktywnych

BEZPIECZEŃSTWO ELEKTRYCZNE

- Każdorazowo należy sprawdzać, czy napięcie zasilania jest zgodne z napięciem podanym na tabliczce znamionowej urządzenia (narzędzia na napięcie znamionowe 230V lub 240V zasilac można także napięciem 220V)
- Regularnie sprawdzać kabel i zleć jego wymianę wykwalifikowanej osobie w przypadku uszkodzenia
- Należy regularnie sprawdzać przedłużacz i wymienić go w razie stwierdzenia uszkodzeń (**wadliwe przedłużacze mogą stwarzać zagrożenie**)
- Należy stosować wyłącznie przedłużacze przystosowane do użycia na dworze, wyposażone w wodoszczelne gniazdo sprężające
- W przypadku korzystania z kabla przedłużającego należy zwrócić uwagę, aby był maksymalnie nawinięty na bęben oraz był przystosowany do przewodzenia prądu o natężeniu przynajmniej 16 A
- Podczas pracy w otoczeniu o wysokiej wilgotności należy używać wyłącznika różnicowoprądowego z natężeniem prądu wyzwalającego wynoszącym maksymalnie 30 mA
- Nie należy deptać ani zgniatać przewodu (przedłużacza), jak również ciągnąć za niego
- Należy trzymać przewód (przedłużacz) z dala od źródeł ciepła, oleju oraz ostrych krawędzi
- **Nie należy zbliżać kabla zasilania (przedłużacza) do obracających się żyłek tnących**
- Narzędzie należy wyłączyć i wyjąć wtyczkę z gniazda sieciowego, jeśli kabel zasilający lub przedłużacz został przecięty, uszkodzony lub się zaplątał (**kabla nie wolno dotykać przed wyjęciem wtyczki**)

PRZED UŻYCIEM

- Narzędzia należy używać wyłącznie przy świetle dziennym lub odpowiednim sztucznym oświetleniu
- Po zakończeniu pracy lub uderzeniu urządzeniem o inny przedmiot sprawdzić, czy urządzenie działa prawidłowo; w przypadku uszkodzenia naprawy powinien dokonać wykwalifikowany personel techniczny; nigdy nie otwierać samemu urządzenia
- Przed rozpoczęciem korzystania z urządzenia należy dokładnie obejrzeć teren przeznaczony do skoszenia i usunąć z niego wszystkie objekty, które mogą zostać wyrzucone w powietrze przez urządzenie (kamienie, kawałki drewna itp.)

PODCZAS UŻYWANIA

- Pod żadnym pozorem nie wolno korzystać z uszkodzonym przewodem; zlecć jego wymianę wykwalifikowanej osobie
- Nie należy używać urządzenia z uszkodzoną lub zdemontowaną osłoną
- **Po wyłączeniu narzędzia żyłki tnące obracają się jeszcze kilka sekund**
- Nie należy przycinać trawy, która nie rośnie bezpośrednio w ziemi (tylko na murach, skałach itp.)
- Nie należy przechodzić przez drogi i ścieżki żwirowe z włączonym urządzeniem
- Zawsze należy zachowywać pełną koncentrację na pracy i unikać rozpraszania
- Należy zawsze wyjmować wtyczkę z gniazda sieciowego
 - gdy narzędzie jest pozostawiane bez nadzoru
 - przed usunięciem zakleszczonego materiału
 - przed wykonaniem kontroli, przystąpieniem do czyszczenia lub rozpoczęciem pracy nad narzędziem
 - po uderzeniu w inny przedmiot
 - gdy narzędzie zaczyna drgać w sposób niestabilny
- Należy zawsze upewnić się, że w otworach wentylacyjnych nie znajdują się żadne elementy

PO UŻYCIU

- **Przed przeprowadzeniem regulacji, zmianą szpul, czyszczeniem lub odłożeniem urządzenia zawsze należy je wyłączyć i odłączyć jego zasilanie**
- Przechowywać urządzenia **we wnętrzach w suchym, zamkniętym pomieszczeniu z dala od dzieci**

OBJAŚNIENIE SYMBOLI NA NARZĘDZIU

- ③ **Uwaga!** Należy przeczytać instrukcję obsługi
- ④ Narzędzia nie należy narażać na działanie opadów atmosferycznych
- ⑤ Należy stosować okulary ochronne
- ⑥ **Należy zwrócić uwagę na ryzyko obrażeń ciała spowodowane unoszącymi się w powietrzu odpadami** (osoby postronne powinny znajdować się w bezpiecznej odległości od obszaru roboczego narzędzia)
- ⑦ W przypadku stwierdzenia uszkodzeń lub przecięcia przewodu (przedłużacza) podczas pracy należy natychmiast wyciągnąć wtyczkę z gniazda sieciowego
- ⑧ Podwójna izolacja (brak uziemienia)

UŻYTKOWANIE

- Osłona ⑩
 - zamontować osłonę A zgodnie z rysunkiem przy użyciu dołączonej śruby o okrągłej główce
 - ! **nie należy używać urządzenia bez zamontowanej osłony A**
- Montaż/regulacja uchwytu prowadzącego ⑪
 - uchwyt prowadzący B zgodnie z ilustracją przy użyciu 4 dołączonych śrub
 - ! **mocno dokręć wszystkie 4 śruby**
- Ogranicznik przewodu ⑫
 - należy nałożyć pętlę przedłużacza na ogranicznik C, jak przedstawiono na ilustracji
 - należy mocno dociągnąć, aby stabilnie zamocować przedłużacz
- Regulacja wysokości ⑬
 - W celu regulacji wysokości urządzenia, tak aby podczas przycinania trawy wysunięta do przodu ręka użytkownika była wyprostowana

- poluzować tuleję blokującą D ⑫, obracając ją w kierunku zgodnym z ruchem wskazówek zegara
- zwiększyć długość rury E ⑫ do uzyskania pożądaney wysokości
- dokręcić tuleję blokującą D ⑫, obracając ją w kierunku przeciwnym do ruchu wskazówek zegara
- Włącznik/wyłącznik ⑭
 - włączyć narzędzie naciśnięciem włącznika F
 - wyłączyć narzędzie zwalniając włącznika F
 - ! **po wyłączeniu narzędzia żyłki tnące będą się poruszać przez kilka sekund**
 - przed ponownym włączeniem urządzenia należy zaczekać na zatrzymanie obrotów
 - ! **nie należy zbyt szybko włączać i wyłączać urządzenia**
- Przycinanie
 - ! **przed rozpoczęciem korzystania z narzędzia upewnić się, że z ostrza zdjęto czerwoną osłonę G ②**
 - ! **upewnić się, że na obszarze przeznaczonym do przycięcia nie znajdują się kamienie, gruz i inne podobne przedmioty**
 - ! **przycinanie należy rozpoczynać dopiero po uzyskaniu przez żyłkę pełnej prędkości**
 - przycinanie należy rozpocząć w pobliżu gniazda sieciowego i odsuwać się od niego w miarę pracy
 - długą trawę należy przycinać etapami, rozpoczynając od wierzchołków
 - do przycinania należy używać jedynie końcówki żyłki
 - nie przycinać trawy mokrej lub wilgotnej
 - uważać, aby ścięta trawa nie zatkała urządzenia (nie przycinać jednocześnie zbyt dużej ilości trawy)
 - nie przeciążać urządzenia
 - zachować ostrożność przy przycinaniu trawy wokół drzew i krzewów, unikać ich kontaktu z żyłką
 - nie zbliżać urządzenia do twardych przedmiotów, aby chronić żyłkę przed nadmiernym zużyciem
 - pamiętać o zjawisku odrzutu, występującym w przypadku dotknięcia twardych przedmiotów
- Utrzymywanie i prowadzenie narzędzia ⑮
 - podczas przycinania długiej trawy powoli przesuwając urządzenie od prawej do lewej i odwrotnie
 - w przypadku przycinania krótszej trawy przechylić urządzenie zgodnie z ilustracją
 - podczas przycinania krawędzi obrócić narzędzie o 180°
 - trzymać narzędzie mocno obiema rękoma, tak aby przez cały czas nad nim panować
 - utrzymywać stałą pozycję roboczą
 - zawsze trzymać narzędzie z daleka od ciała
- Zwalnianie żyłki ⑯
 - przyciskiem H lekko dotknąć podłoża (najlepiej twardego) przy uruchomionym silniku
 - dwie żyłki zostają zwolnione i przycięte do odpowiedniej długości przez ostrze J
 - ! **przed rozpoczęciem korzystania z narzędzia upewnić się, że z ostrza zdjęto czerwoną osłonę G ②**
 - ! **uważać na urazy wynikające z dotknięcia ostrza J**
 - po zwolnieniu żyłki zawsze przywrócić narzędzie do pozycji roboczej przed jego włączeniem

- regularnie zwalniać żyłkę, aby zachować pełną wydajność urządzenia
- sytuacja, w której silnik jest uruchomiony, lecz trawa nie jest przycinana, powoduje zużycie lub łamanie żyłki; w takiej sytuacji należy zwinąć żyłkę lub wymienić pojemnik z żyłką
- Zwijanie żyłki ⑦
W przypadku gdy żyłki nie wystają spod pokrywy K
! wyłącz narzędzie i wyciągnij wtyczkę z gniazdka
- wyjąć pojemnik z żyłką z urządzenia i wyciągnąć żyłkę z pokrywy K
- dokładnie zwinąć obie żyłki w równych warstwach w kierunku strzałki
- wsunąć obie żyłki w otwory X i upewnić się, że są odpowiednio zabezpieczone (pozostawić rozwinięty odpowiedni fragment żyłki)
- przeciągnąć obie żyłki przez otwory Y przed umieszczeniem zwiniętej żyłki w pokrywie K
! upewnić się, że żyłka została odpowiednio zamontowana, po czym wyjąć obie żyłki z otworów X, mocno za nie pociągając
- zamontować pojemnik z żyłką w narzędziu (**obrócić pojemnik z żyłką w prawo aż do zatrzaśnięcia na swoim miejscu**) ⑧
- Wymiana pojemnika z żyłką ⑨
! wyłącz narzędzie i wyciągnij wtyczkę z gniazdka
- wyjąć stary pojemnik i założyć nowy zgodnie z ilustracją
- z tym narzędziem należy stosować jedynie pojemniki z żyłką SKIL 2610Z01354 (**uszkodzenia wynikające z używania innych pojemników z żyłką nie podlegają gwarancji**)
- po wymianie pojemnika z żyłką uruchomić urządzenie na co najmniej minutę bez obciążenia, aby upewnić się, że działa prawidłowo

KONSERWACJA / SERWIS

- Narzędzie nie jest przeznaczone do zastosowań profesjonalnych
- **Zawsze wyjąć wtyczkę z gniazdka przed rozpoczęciem czyszczenia/konserwacji urządzenia**
- Zawsze dbać o czystość narzędzia i przewodu zasilającego (a szczególnie otworów wentylacyjnych)
 - narzędzie należy czyścić wilgotną, miękką szmatką (nie używać środków czyszczących ani rozpuszczalników)
 - po każdym użyciu urządzenia należy wyczyścić ostrze J ② i osłonę A ②
 - otwory wentylacyjne L ② należy czyścić regularnie za pomocą szczotki lub sprężonego powietrza
- Należy regularnie sprawdzać stan głowicy tnącej i dokręcenie śrub i nakrętek
- Należy regularnie sprawdzać narzędzie pod kątem zużytych lub uszkodzonych elementów i wymienić je lub naprawić w razie potrzeby
- Przechowywanie ⑩
 - przechowywać urządzenia **we wnętrzach w suchym, zamkniętym pomieszczeniu z dala od dzieci**
 - należy stabilnie zamocować szynę do zawieszania M na ścianie przy użyciu 4 śrub (**niedostarczane wraz z narzędziem**) i wypoziomować ją

- Jeśli narzędzie, mimo dokładnej i wszechstronnej kontroli produkcyjnej ulegnie kiedykolwiek awarii, naprawę powinien przeprowadzić autoryzowany serwis elektronarzędzi firmy SKIL
 - odesłać **nierozebrany** narzędzie, wraz z dowodem zakupu, do dealera lub do najbliższego punktu usługowego SKIL (adresy oraz diagram serwisowy narzędzenia znajdują się na stronach www.skil.com)

ROZWIĄZYWANIE PROBLEMÓW

- Podana lista zawiera opis objawów problemów, ich możliwych przyczyn oraz działań naprawczych (jeśli w ten sposób nie można zidentyfikować i usunąć problemu, należy skontaktować się z dystrybutorem lub punktem serwisowym)
 - ! przed przystąpieniem do rozwiązywania problemu należy wyłączyć narzędzie i wyciągnąć wtyczkę z gniazda sieciowego**
- ★ Narzędzie nie działa
 - wadliwe gniazdo sieciowe -> należy użyć innego gniazda
 - uszkodzony przedłużacz -> należy go wymienić
- ★ Narzędzie działa z przerwami
 - uszkodzenie wewnętrznego okablowania -> należy skontaktować się z dystrybutorem lub punktem serwisowym
 - uszkodzenie włącznika -> należy skontaktować się z dystrybutorem lub punktem serwisowym
- ★ Urządzenie wibruje w nienaturalny sposób
 - trawa zbyt wysoka -> przycinać trawę etapami
- ★ Narzędzie nie przycina trawy
 - żyłka zbyt krótka/urwana -> ręcznie zwolnić żyłkę
- ★ Nie można zwolnić żyłki
 - brak żyłki -> wymienić szpulę
 - żyłka zaplątana w szpuli -> sprawdzić szpulę i zwinąć ją, jeśli to konieczne
- ★ Żyłka nie została przycięta do odpowiedniej długości -> zdjąć osłonę z ostrza
- ★ Żyłka łamie się
 - żyłka zaplątana w szpuli -> sprawdzić szpulę i zwinąć ją, jeśli to konieczne
 - nieprawidłowe użycie narzędzia -> należy przycinać trawę tylko przy użyciu końcówki żyłki; unikać kamieni, murów i innych twardych obiektów; regularnie zwalniać żyłkę

ŚRODOWISKO

- **Nie wyrzucaj elektronarzędzi, akcesoriów i opakowania wraz z odpadami z gospodarstwa domowego** (dotyczy tylko państw UE)
 - zgodnie z Europejską Dyrektywą 2012/19/WE w sprawie zużytego sprzętu elektrotechnicznego i elektronicznego oraz dostosowaniem jej do prawa krajowego, zużyte elektronarzędzia należy posegregować i zutylizować w sposób przyjazny dla środowiska
 - w przypadku potrzeby pozbycia się narzędzia, akcesoriów i opakowania - symbol ⑨ przypomni Ci o tym

ДЕКЛАРАЦИЯ ЗГODНОСТИ CE

- Oświadczamy z pełną odpowiedzialnością, że produkt, przedstawiony w "Dane techniczne", odpowiada wymaganiom następujących norm i dokumentów normatywnych: EN 60335, EN 61000, EN 55014 zgodnie z wymaganiemi dyrektyw 2006/95/EU, 2004/108/EU, 2006/42/EU, 2000/14/EU, 2011/65/UE
- **Dokumentacja techniczna:** SKIL Europe BV (PT-SEU/ENG1), 4825 BD Breda, NL

Marijn van der Hoofden
Operations & Engineering

Olaf Dijkgraaf
Approval Manager

SKIL Europe BV, 4825 BD Breda, NL

19.12.2013

CE10

HAŁASU/WIBRACJE

- Pomiarów dokonano zgodnie z normą EN 60335 ciśnienie akustyczne narzędzia wynosi 70 dB(A) zaś poziom mocy akustycznej 90 dB(A) (poziom odchylenie: 3 dB), zaś vibracje $<2,5 \text{ m/s}^2$ (metoda dłoń-ręka; błąd pomiaru $K = 1,5 \text{ m/s}^2$)
 - Gwarantowany poziom mocy akustycznej LWA mierzony zgodnie z normą 2000/14/WE (EN/ISO 3744) jest niższy niż 93 dB(A) (sposób oceny zgodności wg załącznika VI) Urząd zatwierdzający: KEMA, Arnhem, NL Numer identyfikacyjny urzędu zatwierdzającego: 0344
 - Poziom emisji vibracji został zmierzony zgodnie z testem standaryzowanym podanym w EN 60335; może służyć do porównania jednego narzędzia z innym i jako ocena wstępna narażenia na vibracje w trakcie używania narzędzia do wymienionych zadań
 - używanie narzędzia do innych zadań, lub z innymi albo źle utrzymanymi akcesoriami, może znacząco **zwiększyć** poziom narażenia
 - przypadki, kiedy narzędzie jest wyłączone lub jest czynne, ale aktualnie nie wykonuje zadania, mogą znacząco **zmniejszyć** poziom narażenia
- ! należy chronić się przed skutkami vibracji przez konserwację narzędzia i jego akcesoriów, zakładanie rękawic i właściwą organizację pracy**

RU

Ручная газонокосилка с леской 0730

ВВЕДЕНИЕ

- Данный инструмент предназначен для срезания травы и сорняков под кустами, а также на склонах и по краям, куда не достает обычная газонокосилка
- Данный инструмент не подходит для промышленного использования
- Проверьте наличие в упаковке всех частей, показанных на рисунке ②
- В случае отсутствия или повреждения деталей обращайтесь в магазин, где был приобретен инструмент

- **Перед использованием прибора внимательно ознакомьтесь с данной инструкцией и сохраните ее для последующего использования** ③
- **Обратите особое внимание на инструкции по безопасности и предупреждения; нарушение этих инструкций и предупреждений может привести к серьезным повреждениям**

ТЕХНИЧЕСКИЕ ДАННЫЕ ①

ДЕТАЛИ ИНСТРУМЕНТА ②

- A** Ограничитель хода
- B** Направляющая рукоятка
- C** Ограничитель шнура
- D** Фиксаторная втулка
- E** Телескопическая штанга
- F** Курковый переключатель
- G** Защитная крышка для режущего лезвия
- H** Кнопка для подрезания при помощи лески
- J** Режущее лезвие лески
- K** Колпачок катушки
- L** Вентиляционные отверстия
- M** Подвеска для хранения (**винты в комплект поставки не входят**)
- N** Крюк для хранения

БЕЗОПАСНОСТЬ

ИНСТРУКЦИИ ПО ТЕХНИКЕ БЕЗОПАСНОСТИ ПРИ РАБОТЕ С РУЧНЫМИ ГАЗОНОКОСИЛКАМИ С ЛЕСКОЙ

ОБЩЕЕ

- Ознакомьтесь со средствами управления и порядком работы с инструментом
- За несчастные случаи с людьми или повреждение их имущества, а также угрозу для них отвечает пользователь
- Используйте инструмент только при температуре внешней среды от 0 до 40°C
- Ни в коем случае не устанавливайте на данный инструмент металлические режущие элементы

ЛИЧНАЯ БЕЗОПАСНОСТЬ

- Этот инструмент не должен использоваться лицами (включая детей) с ограниченными физическими, сенсорными или умственными способностями, или лицами, не имеющими достаточного опыта и знаний, за исключением случаев, когда они работают под надзором или проинструктированы в вопросах использования инструмента лицом, ответственным за их безопасность
- Убедитесь, что дети не имеют возможности играть с инструментом
- Никогда не допускайте к работе с устройством детей или людей, не ознакомленных с инструкцией по эксплуатации этого инструмента
- **Не прикасайтесь пальцами к режущему лезвию лески, вставленному в ограничитель хода**
- Держите руки и ноги на безопасном расстоянии от режущих лесок во время работы с инструментом, особенно во время переключения инструмента

- Во время работы с инструментом используйте защитные очки, одевайте длинные штаны, рубашку на длинный рукав и прочную обувь
- Категорически запрещено использовать инструмент в непосредственной близости от людей (особенно детей) и животных
- Не работайте с инструментом, если устали, плохо себя чувствуете или принимали алкоголь и лекарственные средства

ЭЛЕКТРИЧЕСКАЯ БЕЗОПАСНОСТЬ

- Обязательно убедитесь, что напряжение питания соответствует напряжению, указанному на фирменном штепеле инструмента (инструменты, рассчитанные на напряжение 230 В или 240 В, можно подключать к питанию 220 В)
- Периодически осматривайте шнур и необходимо, чтобы квалифицированный специалист заменил сетевой шнур в случае повреждения
- Периодически осматривайте удлинительный шнур и заменяйте его в случае повреждения (использование несоответствующих удлинительных шнуров небезопасно)
- Используйте только удлинительные шнуры, предназначенные для внешних работ и снабженные водозащитными штепсельными розетками
- Используйте полностью размотанные и безопасные удлинители, рассчитанные на ток не менее 16 А
- При работе во влажных условиях используйте устройство защитного отключения (УЗО) с максимальным пусковым током 30 мА
- Не наступайте на (удлинительный) шнур, не надавливайте на него и не тяните его
- Защищайте (удлинительный) шнур от источников тепла, масла и острых краев
- **Не допускайте попадания (удлинительного) шнура под вращающиеся режущие лески**
- В случае разрезания, повреждения или запутывания силового или удлинительного шнура, выключите инструмент и вытяните вилку с розетки (**не касайтесь шнура, пока вилка вставлена в розетку**)

ПЕРЕД ИСПОЛЬЗОВАНИЕМ

- Использовать инструмент следует только при достаточном естественном или соответствующем искусственном освещении
- Проверяйте работоспособность инструмента перед каждым использованием или после удара; в случае обнаружения неисправности, незамедлительно сдайте его в ремонт квалифицированным специалистам (ни в коем случае не вскрывайте инструмент самостоятельно)
- Перед подрезанием тщательно осмотрите газон и уберите любые посторонние предметы, в которых может застрять инструмент (как, например, камни, отломавшиеся сучки и т.п.)

ВО ВРЕМЯ ИСПОЛЬЗОВАНИЯ

- Никогда не используйте инструмент, если сетевой шнур повреждён; необходимо, чтобы квалифицированный специалист заменил сетевой шнур
- Ни в коем случае не используйте инструмент, если не установлен или поврежден ограничитель хода

- **Режущие лески продолжают вращаться некоторое время после отключения инструмента**
- Не срежьте траву, которая произрастает не на земле (например, на стенах или на скалах)
- Не переходите дорогу или гравийную дорожку с работающим инструментом в руках
- Не отвлекайтесь и всегда следите за своей работой
- Всегда вытягивайте вилку из сетевой розетки,
 - если оставляете инструмент без присмотра
 - перед тем, как убирать застрявшие предметы
 - перед тем, как осматривать, очищать инструмент или проводить с ним другие операции
 - в случае попадания на посторонний предмет
 - если инструмент начинает очень сильно вибрировать
- Не допускайте попадания осколков в вентиляционные отверстия

ПОСЛЕ ИСПОЛЬЗОВАНИЯ

- **Всегда отключайте инструмент и вынимайте вилку с розетки перед тем, как настраивать или чистить инструмент и заменять катушки; ни в коем случае не оставляйте инструмент без присмотра**
 - Храните инструмент в помещении в сухом, запираемом, не доступном для детей месте
- ### ПОЯСНЕНИЕ К УСЛОВНЫМ ОБОЗНАЧЕНИЯМ НА ИНСТРУМЕНТЕ

- ③ **Внимание!** Ознакомьтесь с инструкцией по эксплуатации
- ④ Исключите возможность попадания на инструмент дождя
- ⑤ Одевайте защитные очки
- ⑥ **Остерегайтесь отлетающих осколков** (окружающие должны находиться на безопасном расстоянии от места уборки)
- ⑦ При повреждении или разрезании (удлинительного) шнура во время работы немедленно выньте вилку из розетки
- ⑧ Двойная изоляция (заземляющий провод не требуется)

ИСПОЛЬЗОВАНИЕ

- Ограничитель хода ⑩
 - установите ограничитель хода, как показано на рисунке, А при помощи винта с круглой головкой, который входит в комплект
 - ! **никогда не используйте инструмент без ограничителя хода А**
- Установка/регулировка направляющей рукоятки ⑪
 - установите направляющую рукоятку, как показано на рисунке, В при помощи 4 винтов, входящих в комплект
 - ! **наденно затяните все 4 винта**
- Ограничитель шнура ⑫
 - перекиньте кольцо удлинительного шнура через ограничитель, как показано на рисунке С
 - чтобы зафиксировать шнур, сильно потяните

- Регулировка высоты ¹³
Чтобы отрегулировать высоту инструмента, при которой ведущая рука во время работы будет прямой
 - ослабьте фиксаторную втулку D ², повернув ее по часовой стрелке
 - вытяните штангу E ² на требуемую высоту
 - затяните фиксаторную втулку D ², повернув ее против часовой стрелки
 - Включение/выключение ¹⁴
 - включите инструмент нажав курковый выключатель F
 - выключите инструмент отпустив курковый выключатель F

! после выключения инструмента режущие лески продолжают двигаться в течении нескольких секунд

 - перед тем, как снова включать инструмент, подождите, пока остановятся режущие лески

! не включайте и не выключайте инструмент быстро
 - Подрезание
 - ! перед тем, как использовать инструмент, снимите красную крышку G ² с режущего лезвия лески**
 - ! уберите с газона камни, обломки и другие посторонние предметы**
 - ! начинайте подрезать только тогда, когда инструмент наберет полную скорость**
 - начинайте подрезание возле сетевой розетки, а потом двигайтесь дальше
 - срезайте высокую траву слоями (всегда начинайте сверху)
 - подрезайте только при помощи режущей кромки лески
 - не срезайте влажную или мокрую траву
 - следите, чтобы срезанная трава не забывала катушку (не срезайте много за раз)
 - не перегружайте инструмент
 - будьте осторожны при подрезании вокруг деревьев или кустов, чтобы к ним не прикасались режущие лески
 - во избежание чрезмерного износа режущих лесок, не допускайте их контакта с твердыми предметами
 - помните об отдаче в случае прикосновения к твердым предметам
 - Удерживание и направление инструмента ¹⁵
 - срезая высокую траву, слегка наклоняйте инструмент вправо-влево и в другом направлении
 - для подрезания более короткой травы наклоните инструмент, как показано на рисунке
 - при подрезании по краям поверните инструмент на 180°
 - держите инструмент надёжно двумя руками, чтобы иметь постоянный и полный контроль
 - при работе займите устойчивое положение
 - всегда держите инструмент от себя
 - Подрезание при помощи лесок ¹⁶
 - при рабочем двигателе несильно нажмите кнопку N в то время, как инструмент находится на земле (желательно на твердой поверхности)
 - будут отпущены две режущие лески и отрезаны при помощи режущего лезвия J на требуемую длину
 - ! перед тем, как использовать инструмент, снимите красную крышку G ² с режущего лезвия лески**
 - ! будьте внимательны, чтобы не травмироваться от режущего лезвия лески J**
 - после отрезания при помощи лески переключите инструмент в обычный режим работы перед тем, как включать его
 - регулярно наматывайте лески, чтобы обеспечить полный режущий цикл
 - при холостом ходе двигателя режущие лески изнашиваются или ломаются; перематывайте катушку или замените систему катушки
- Перематывание катушки ¹⁷
В случае, если режущие лески не выходят из колпачка катушки K
 - ! выключите инструмент и отсоедините сетевой шнур**
 - выньте систему катушки из инструмента и вытяните катушку из колпачка K
 - равномерно послойно и туго перематывайте две режущие лески в направлении стрелки
 - вставьте обе лески в прорези X катушки закрепите их (оставьте леску достаточной длины)
 - протяните обе лески сквозь отверстия, перед тем, как наматывать их в колпачок катушки K
 - ! надёжно закрепите катушку, а затем выпустите об лески из прорезей X, сильно их потянув**
 - установите систему катушки на инструмент (поверните катушку по часовой стрелке, пока она со щелчком не встанет на свое место) ¹⁸
- Замена системы катушки ¹⁸
 - ! выключите инструмент и отсоедините сетевой шнур**
 - просто снимите старую систему и установите новую, как показано на рисунке
 - используйте для данного инструмента только систему катушки SKIL 2610Z01354 (повреждения вследствие использования других систем катушек не будут включены в гарантию)
 - после замены системы катушки опробуйте инструмент в течении минуты без нагрузки, чтобы убедиться, что он работает правильно

ТЕХОБСЛУЖИВАНИЕ / СЕРВИС

- Данный инструмент не подходит для промышленного использования
- **Перед очисткой и/или техническим обслуживанием обязательно вынимайте вилку из сетевой розетки**
- Всегда содержите инструмент и его шнур в чистоте (особенно вентиляционные отверстия)
 - для очистки прибора пользуйтесь влажной тканью (не применяйте растворители или моющие средства)
 - после каждого использования очищайте режущее лезвие лески J ² и ограничитель хода A ²
 - регулярно очищайте вентиляционные отверстия L ² при помощи щетки или сжатого воздуха

- Регулярно проверяйте состояние режущей головки и степень затяжки гаек, болтов и винтов
- Регулярно проверяйте детали на предмет износа или повреждения и отремонтируйте/замените их, если требуется
- Хранение ⑯
 - храните инструмент **в помещении** в сухом, запираемом, не доступном для детей месте
 - надежно закрепите подвеску M на стене при помощи 4 винтов (**не входят в комплект поставки**), выравнивая их по горизонтали
- Если инструмент, несмотря на тщательные методы изготовления и испытания, выйдет из строя, то ремонт следует производить силами авторизованной сервисной мастерской для электроинструментов фирмы SKIL
 - отправьте **неразобранный** инструмент со свидетельством покупки Вашему дилеру или в ближайшую станцию обслуживания фирмы SKIL (адреса и схема обслуживания инструмента приведены в вебсайте www.skil.com)

УСТРАНЕНИЕ НЕИСПРАВНОСТЕЙ

- Ниже приведен перечень неисправностей, их возможных причин и корректирующих действий (если при их помощи не удается исправить проблему, обратитесь к дилеру или в сервисный центр)

! перед поиском неисправности выключите инструмент и отсоедините вилку

- ★ Инструмент не работает
 - повреждение розетки питания -> используйте другую розетку
 - поврежден удлинительный шнур -> замените удлинительный шнур
- ★ Инструмент отключается периодически
 - повреждена внутренняя проводка -> обратитесь к дилеру или в сервисный центр
 - поврежден выключатель питания -> обратитесь к дилеру или в сервисный центр
- ★ Инструмент сильно вибрирует
 - очень высокая трава -> срезайте поэтапно
- ★ Инструмент не режет
 - леска слишком короткая/оборвана -> вытяните леску вручную
- ★ Не удается вытянуть леску
 - катушка пуста -> замените катушку
 - леска запуталась в катушке-> осмотрите катушку; при потребности перемотайте леску
- ★ Леска не отрезается на требуемую длину -> снимите крышку с режущего лезвия
- ★ Леска неоднократно обрывается
 - леска запуталась в катушке-> осмотрите катушку; при потребности перемотайте леску
 - неправильное использование газонокосилки -> подрезайте только при помощи режущей кромки; избегайте камней, стен и других твердых предметов; регулярно наматывайте леску

ОХРАНА ОКРУЖАЮЩЕЙ СРЕДЫ

- **Не выкидывайте электроинструмент, принадлежности и упаковку вместе с бытовым мусором** (только для стран ЕС)

- во исполнение европейской директивы 2012/19/ЕС об утилизации отслужившего свой срок электрического и электронного оборудования и в соответствии с действующим законодательством, утилизация электроинструментов производится отдельно от других отходов на предприятиях, соответствующих условиям экологической безопасности
- значок ⑨ напомним Вам об этом, когда появится необходимость сдать электроинструмент на утилизацию

ДЕКЛАРАЦИЯ О СООТВЕТСТВИИ СТАНДАРТАМ СЕ

- С полной ответственностью мы заявляем, что описанный в разделе "Технические данные" продукт соответствует нижеследующим стандартам или нормативным документам: EN 60335, EN 61000, EN 55014 согласно положениям директив 2006/95/EC, 2004/108/EC, 2006/42/EC, 2000/14/EC, 2011/65/EC
- **Техническая документация у:** SKIL Europe BV (PT-SEU/ENG1), 4825 BD Breda, NL

Marijn van der Hoofden
Operations & Engineering

Olaf Dijkgraaf
Approval Manager




SKIL Europe BV, 4825 BD Breda, NL

19.12.2013

CE10

- Информация о сертификате соответствия расположена на последней странице настоящей Инструкции
- Сертификаты соответствия хранятся по адресу: ООО "Роберт Бош" ул. Акад. Королёва, 13, стр. 5 Россия, 129515, Москва **С января 2014 г.** Вашутинское шоссе, влад. 36 Россия, 141446 г.о. Химки
- **Дата производства** указана на последней странице настоящей инструкции
- Информацию об **импортере** изделия можно найти на упаковке

ШУМНОСТИ/ВИБРАЦИИ

- При измерении в соответствии со стандартом EN 60335 уровень звукового давления для этого инструмента составляет 70 дБ (А) и уровень звуковой мощности - 90 дБ (А) (стандартное отклонение: 3 дБ), и вибрации - <2,5 м/с² (по методу для рук; недоверительность K = 1,5 м/с²)
 - Гарантированный уровень звуковой мощности LWA, измеренный согласно стандарту 2000/14/EC (EN/ISO 3744) ниже 93 дБ(А) (способ оценки соответствия согласно Приложению VI)
- Уполномоченный орган: KEMA, Arnhem, NL
Идентификационный номер уполномоченного органа: 0344

- Під час роботи у вологих умовах використовуйте пристрій захисного вимикання (ПЗВ) з максимальним пусковим струмом 30 мА
- Не наступайте на подовжувач, не натискайте на нього та не тягніть його
- Захищайте подовжувач від джерел тепла, оливи та гострих країв
- **Не допускайте, щоб (подовжувальний) шнур потрапляв під обертові різальні жилки**
- У разі розрізання, пошкодження або заплутування силового шнура чи подовжувача, вимкніть інструмент і витягніть вилку з розетки (**не торкайтесь шнура, доки вилка вставлена у розетку**)

ПЕРЕД ВИКОРИСТАННЯМ

- Користуватися інструментом можна лише за достатнього денного чи відповідного штучного освітлення
- Перевіряйте справність інструменту перед кожним використанням або після удару; у разі, якщо виявлено несправність, негайно здайте його у ремонт кваліфікованим фахівцям (у жодному разі не розкривайте інструмент самостійно)
- Перш, ніж підрізати, ретельно огляньте газон і приберіть будь-які сторонні предмети, у яких можуть застрягнути різальні леза (як, наприклад, каміння, обламани сучки і т.п.)

ПІД ЧАС ВИКОРИСТАННЯ

- Ніколи не використовуйте інструмент з пошкодженим шнуром; його повинен замінити кваліфікований фахівець
- У жодному разі не використовуйте інструмент, якщо не встановлено або пошкоджено обмежувач ходу
- **Різальні жилки продовжують обертатися деякий час після вимкнення інструмента**
- Не зрізуйте траву, яка росте не на землі (наприклад, на стінах або на скелях)
- Не переходьте дорогу або гравійну доріжку з увімкнутим інструментом у руках
- Не відволікайтеся і завжди стежте за своєю роботою
- Завжди витягуйте вилку з мережевої розетки
 - коли залишаєте інструмент без нагляду
 - перед тим, як виймати застрягли предмети
 - перед тим, як оглядати, очищувати інструмент або проводити з ним інші операції
 - у разі потрапляння на сторонній предмет
 - якщо інструмент починає засильно вібрувати
- Не допускайте потрапляння осколків у вентиляційні отвори

ПІСЛЯ ВИКОРИСТАННЯ

- **Завжди вимикайте інструмент і виймайте вилку з розетки перед тим, як настроювати або чистити інструмент і замінити котушки; у жодному разі не залишайте інструмент без нагляду**
- Зберігати інструмент у приміщенні в сухому, не доступному для дітей місці

ПОЯСНЕННЯ ДО УМОВНИХ ПОЗНАЧОК НА ІНСТРУМЕНТІ

- ③ **Увага!** Ознайомтеся з інструкцією експлуатації
- ④ Виключіть можливість потрапляння на інструмент дощу
- ⑤ Одягайте захисні окуляри

- ⑥ **Остерігайтесь осколків, які відлітають** (люди довкола мають перебувати на безпечній відстані від місця прибирання)
- ⑦ У разі пошкодження або розрізання подовжувача під час роботи негайно витягніть вилку з розетки
- ⑧ Подвійна ізоляція (заземлюючий провід не потрібен)

ВИКОРИСТАННЯ

- Обмежувач ходу ⑩
 - установіть обмежувач ходу А, як показано на рисунку, за допомогою гвинта з круглою головою, який входить до комплекту
- ! **ніколи не використовуйте інструмент без обмежувач ходу А**
- Установлювання/регулювання напрямної рукоятки ⑪
 - установіть напрямну рукоятку В, як показано на рисунку, за допомогою 4 гвинтів, які входять до комплекту
- ! **міцно затисніть усі 4 гвинта**
- Обмежувач шнура ⑫
 - перекиньте кільце подовжувача через обмежувач, як показано на малюнку С
 - щоб зафіксувати шнур, сильно потягніть
- Регулювання висоти ⑬
 - Щоб відрегулювати висоту інструмента, на якій рука, яка веде, буде пряма під час роботи
 - послабте фіксаторну втулку D ②, повернувши її за годинниковою стрілкою
 - витягніть штангу E ② на потрібну висоту
 - затягніть фіксаторну втулку D ②, повернувши її проти годинникової стрілки
- Вмикання/вимкнення ⑭
 - вимкніть інструмент тригерним курка-перемикачем F
 - вимкніть інструмент відпустивши курка-перемикача F
- ! **після вимкнення інструмента різальні жилки продовжують рухатися кілька секунд**
- перед тим, як знову вмикати інструмент, почекайте, доки зупиняться різальні жилки
- ! **не вмикайте та не вимикайте інструмент швидко**
- Підрізання
 - ! **перед тим, як використовувати інструмент, зніміть червону кришку G ② з різального леза жилки**
 - ! **приберіть з газону камені, уламки й інші сторонні предмети**
 - ! **починайте підрізати тільки тоді, коли інструмент набере повну швидкість**
 - починайте підрізати біля мережевої розетки, а потім рухайтесь далі
 - зрізуйте високу траву шарами (завжди починайте зверху)
 - підрізайте тільки за допомогою різальної крайки жилки
 - не зрізуйте вологу або мокру траву
 - стежте, щоб зрізана трава не забивала котушку (не зрізуйте багато за раз)
 - не перевантажуйте інструмент
 - будьте обережні, підрізаючи навколо дерев або кущів, щоб до них не доторкались різальні жилки

- щоб уникнути надмірного зношування різальних жилок, не допускайте їх контакту з твердими предметами
- пам'ятайте про віддавання у разі торкання твердих предметів
- Утримування і робота інструментом 15
 - зрізуючи високу траву, злегка нахиліть інструмент вправо-вліво та в іншому напрямку
 - для підрізання коротшої трави нахиліть інструмент, як показано на рисунку
 - підрізаючи по краях, поверніть інструмент на 180°
 - тримайте інструмент двома руками, таким чином ви будете мати повний контроль над інструментом весь час
 - під час роботи займіть стійке положення
 - завжди тримайте інструмент від себе
- Підрізання за допомогою жилки 16
 - при робочому двигуні несильно натисніть кнопку H, у той час, як інструмент поставлено на землю (бажано на тверду поверхню)
 - дві різальні жилки буде відпущено та відрізано за допомогою різального леза J на потрібну довжину
- ! **перед тим, як використовувати інструмент, зніміть червону кришку G 2 з різального леза жилки**
- ! **будьте уважні, щоб не травмуватися від різального леза жилки J**
- відрізавши за допомогою жилки, перемкніть інструмент у звичайний режим роботи перед тим, як включати його
- регулярно намотуйте жилки, щоб забезпечити повний різальний цикл
- при холостому ході двигуна різальні жилки зношуються або ламаються; перемотайте катушку або замініть катушкову систему
- Перемотування катушки 17
 - У разі, якщо різальні жилки не виходять із ковпачка катушки K
 - ! **вимкніть інструмент і витягніть вилку з розетки**
 - вийміть катушкову систему з інструмента й витягніть катушку з ковпачка K
 - рівномірно пошарово й туго перемотайте дві різальні жилки у напрямку стрілки
 - вставте обидві жилки у прорізи X катушки, закріпіть їх (залиште жилку достатньої довжини)
 - протягніть обидві жилки крізь отвори Y перед тим, як намотувати їх у ковпачок катушки K
 - ! **надійно закріпіть катушку, а потім випустіть жилки з прорізів X, сильно їх потягнувши**
 - установіть катушкову систему на інструмент (**поверніть катушкову систему за годинниковою стрілкою, доки вона із клацанням не встане на своє місце**) 18
- Заміновання катушкової системи 18
 - ! **вимкніть інструмент і витягніть вилку з розетки**
 - просто зніміть стару систему й установіть нову, як показано на рисунку
 - використовуйте для цього інструмента тільки катушкову систему SKIL 2610Z01354 (пошкодження внаслідок використання

сторонніх катушкових систем не буде вважатись гарантійним випадком)

- замінивши катушкову систему, випробуйте інструмент протягом однієї хвилини без навантаження, щоб переконатися, що він працює правильно

ДОГЛЯД/ОБСЛУГОВУВАННЯ

- Цей інструмент не придатний для промислового використання
- **Перед очищенням і/або технічним обслуговуванням обов'язово виймайте вилку з мережної розетки**
- Завжди тримайте інструмент та його шнур у чистоті (особливо вентиляційні отвори)
 - очищуйте інструмент вологою тканиною (застосовувати мийні засоби або розчинники заборонено)
 - після кожного використання очищайте різальне лезо жилки J 2 й обмежувач ходу A 2
 - регулярно очищуйте вентиляційні отвори L 2 за допомогою щітки або стисненого повітря
- Регулярно перевіряйте стан різальної головки і ступінь затягування гайок, болтів і гвинтів
- Регулярно перевіряйте деталі на предмет зношування або пошкодження і відремонтуйте/замініть їх у разі потреби
- Зберігання 19
 - зберігати інструмент у **вимкненому** в сухому, не доступному для дітей місці
 - надійно закріпіть підвіску M на стіні за допомогою 4 гвинтів (**не входять у комплект постачання**), вирівнявши їх по горизонталі
- Якщо незважаючи на ретельну технологію виготовлення і перевірки інструмент все-таки вийде з ладу, його ремонт дозволяється виконувати лише в авторизованій сервісній майстерні для електрораїдів SKIL
 - надішліть **нерозібраний** інструмент разом з доказом купівлі до Вашого дилера або до найближчого центру обслуговування SKIL (адреси, а також діаграма обслуговування пристрою, подаються на сайті www.skil.com)

УСУНЕННЯ НЕПОЛАДОК

- Нижче наведено перелік несправностей, їх можливих причин і корективних дій (якщо за їх допомогою вирішити проблему не вдається, зверніться до дилера або у сервісний центр)
 - ! **перед тим як шукати несправність, вимкніть інструмент і витягніть вилку**
- ★ Інструмент не працює
 - пошкодження розетки живлення -> використовуйте іншу розетку
 - пошкоджено продовжувач -> замініть продовжувач
- ★ Інструмент періодично вимикається
 - пошкоджено внутрішню проводку -> зверніться до дилера або у сервісний центр
 - пошкоджено вимикач живлення -> зверніться до дилера або у сервісний центр
- ★ Інструмент сильно вібрує

- дуже висока трава -> зрізуйте поетапно
- ★ Інструмент не ріже
 - жилка закоротка/обірвана -> витягніть жилку вручну
- ★ Не вдається витягнути жилку
 - котушка порожня -> замініть котушку
 - жилка заплуталася в котушці-> огляньте котушку; у разі потреби перемотайте жилку
- ★ Жилка не відрізається на потрібну довжину -> зніміть кришку з різального леза
- ★ Жилка неодноразово обривається
 - жилка заплуталася в котушці-> огляньте котушку; у разі потреби перемотайте жилку
 - неправильне використання газонокосарки -> підрізайте тільки за допомогою різальної крайки; уникайте каміння, стін та інших твердих предметів; регулярно намотуйте жилку

ОХОРОНА НАВКОЛИШНЬОЇ СЕРЕДИ

- Не викидайте електроінструмент, належності та упаковку разом зі звичайним сміттям (тільки для країн ЄС)
 - відповідно до європейської директиви 2012/19/ЄС щодо утилізації старих електричних та електронних приладів, в залежності з місцевим законодавством, електроінструмент, який перебував в експлуатації повинен бути утилізований окремо, безпечним для навколишнього середовища шляхом
 - малюнок ⑨ нагадує вам про це

ДЕКЛАРАЦІЯ ПРО ВІДПОВІДНІСТЬ СТАНДАРТАМ СЕ

- Ми заявляємо під нашу виключну відповідальність, що описаний в "Технічні дані" продукт відповідає таким нормам або нормативним документам: EN 60335, EN 61000, EN 55014 у відповідності до положень директив 2006/95/EG, 2004/108/EG, 2006/42/EG, 2000/14/EG, 2011/65/EC
- **Технічні документи в:** SKIL Europe BV (PT-SEU/ENG1), 4825 BD Breda, NL

Marijn van der Hoofden
Operations & Engineering

Olaf Dijkgraaf
Approval Manager

SKIL Europe BV, 4825 BD Breda, NL

19.12.2013

CE10

ШУМ/ВІБРАЦІЯ

- Зміряний відповідно до EN 60335 рівень тиску звуку даного інструменту 70 дБ(А) і потужність звуку 90 дБ(А) (стандартне відхилення: 3 дБ), і вібрація <2,5 м/с² (ручна методика; похибка K = 1,5 м/с²)
- Гарантований рівень звукової потужності LWA, який виміряно згідно зі стандартом 2000/14/EG (EN/ISO 3744) нижчий за 93 дБ(А) (процедура оцінки відповідності згідно з Додатком VI) Уповноважений орган: KEMA, Arnhem, NL

Ідентифікаційний номер уповноваженого органу: 0344

- Рівень вібрації було виміряно у відповідності зі стандартизованим випробуванням, що міститься в EN 60335; дана характеристика може використовуватися для порівняння одного інструмента з іншим, а також для попередньої оцінки впливу вібрації під час застосування даного інструмента для вказаних цілей
 - при використанні інструмента в інших цілях або з іншими/несправними допоміжними пристосуваннями рівень впливу вібрації може значно **підвищуватися**
 - у періоді, коли інструмент вимикнений або функціонує без фактичного виконання роботи, рівень впливу вібрації може значно **знижуватися**
- ! **Захищайте себе від впливу вібрації, підтримуючи інструмент і його допоміжні пристосування в справному стані, підтримуючи руки в теплі, а також правильно організовуючи свій робочий процес**

GR

Χορτοκοπτικό μεσημέζας 0730

ΕΙΣΑΓΩΓΗ

- Αυτό το εργαλείο προορίζεται για την κοπή χόρτου και ζιζανίων κάτω από θάμνους, καθώς και σε πρανή και άκρα στα οποία δε μπορεί να φτάσει ένα τροχήλατο χλοοκοπτικό
- Αυτό το εργαλείο δεν προορίζεται για επαγγελματική χρήση
- Βεβαιωθείτε ότι η συσκευασία περιέχει όλα τα εξαρτήματα που απεικονίζονται στο σχέδιο ②
- Όταν κάποια εξαρτήματα λείπουν ή έχουν φθορές, παρακαλούμε επικοινωνήστε με τον αντιπρόσωπό σας
- **Διαβάστε προσεκτικά τις οδηγίες πριν από τη χρήση και φυλάξτε τις για μελλοντική αναφορά ③**
- **Δώστε ιδιαίτερη προσοχή στις οδηγίες ασφαλείας και στις προειδοποιήσεις - η μη τήρηση αυτών των οδηγιών και προειδοποιήσεων θα μπορούσε να προκαλέσει σοβαρές σωματικές βλάβες**

ΤΕΧΝΙΚΑ ΧΑΡΑΚΤΗΡΙΣΤΙΚΑ ①

ΜΕΡΗ ΤΟΥ ΕΡΓΑΛΕΙΟΥ ②

- A Προφυλακτήρας κοπτικής
- B Χειρολαβή οδήγησης
- C Υποδοχή καλωδίου
- D Κέλυφος μανδάλωσης
- E Τηλεσκοπικός βραχίονας
- F Διακόπτης σκανδάλης
- G Κάλυμμα λάμας κοπής
- H Πλήκτρο για τροφοδοσία μεσημέζας
- J Λεπίδα κοπής μεσημέζας
- K Καπάκι καρουλιού
- L Σχισμές αερισμού
- M Ράγα αποθήκευσης (δεν παρέχονται οι βίδες)
- N Γάντζος αποθήκευσης

ΑΣΦΑΛΕΙΑ

ΕΙΔΙΚΕΣ ΟΔΗΓΙΕΣ ΑΣΦΑΛΕΙΑΣ ΓΙΑ ΧΟΡΤΟΚΟΠΤΙΚΑ ΜΕΣΗΝΕΖΑΣ

ΓΕΝΙΚΑ

- Να εξοικειωθείτε με τα χειριστήρια και τη σωστή χρήση του εργαλείου
- Ο χρήστης είναι υπεύθυνος για ατυχήματα ή κινδύνους που μπορεί να συμβούν σε άλλα άτομα ή ιδιοκτησίες
- Να χρησιμοποιείτε το εργαλείο μόνο όταν η θερμοκρασία περιβάλλοντος είναι μεταξύ 0°C και 40°C
- Ποτέ μην τοποθετείτε μεταλλικά κοπτικά εξαρτήματα επάνω σ' αυτό το εργαλείο

ΑΣΦΑΛΕΙΑ ΠΡΟΣΩΠΩΝ

- Το εργαλείο αυτό δεν προορίζεται για χρήση από άτομα (συμπεριλαμβανομένων παιδιών) με μειωμένες φυσικές, αισθητικές ή νοητικές ικανότητες, ή από άτομα χωρίς εμπειρία ή γνώση, εκτός και αν επιβλέπονται ή εάν τους έχουν δοθεί οδηγίες σχετικά με τη χρήση του εργαλείου από άτομα υπεύθυνα για την ασφάλειά τους
- Βεβαιωθείτε ότι τα παιδιά δεν παίζουν με το εργαλείο
- Ποτέ μην αφήνετε να χρησιμοποιείται το εργαλείο από παιδιά ή άτομα που δεν έχουν εξοικειωθεί με τις οδηγίες λειτουργίας του
- **Μην πλησιάζετε τα δάκτυλά σας στη λάμα της μεσηνέζας που είναι ενσωματωμένη στον προφυλακτήρα κοπής**
- Φροντίστε τα χέρια και τα πόδια σας να βρίσκονται μακριά από τη μεσηνέζα κατά την κοπή, ειδικά κατά το άναμμα του εργαλείου
- Πάντα να φοράτε προστατευτικά για τα μάτια, μακριά παντελόνια και υποδήματα βαρέως τύπου κατά το χειρισμό του εργαλείου
- Ποτέ μη χειρίζεστε το εργαλείο πολύ κοντά σε άλλα άτομα και να διακόπτετε τη χρήση του εργαλείου όταν πλησιάζουν άλλα άτομα (ειδικά παιδιά) ή κατοικίδια ζώα
- Ποτέ μη χειρίζεστε το εργαλείο εάν είστε κουρασμένοι, αδιάθετοι ή υπό την επήρεια αλκοόλ ή φαρμακευτικών ουσιών

ΗΛΕΚΤΡΙΚΗ ΑΣΦΑΛΕΙΑ

- Βεβαιωθείτε ότι η τάση του παρεχόμενου ρεύματος είναι ίδια με την τάση που υποδεικνύεται στην πινακίδα δεδομένων του εργαλείου (εργαλεία που φέρουν την ένδειξη 230V ή 240V μπορούν να συνδεθούν επίσης σε πρίζα 220V)
- Ελέγχετε τακτικά το καλώδιο και σε περίπτωση βλάβης, φροντίστε να αντικατασταθούν από εξειδικευμένο άτομο
- Να επιθεωρείτε κατά διαστήματα τόν καλώδιο προέκτασης και να το αντικαταστήσετε εάν έχει ζημιά (**το ακατάλληλο καλώδιο προέκτασης κρύβει κινδύνους**)
- Χρησιμοποιείτε μόνο προέκταση καλωδίου κατάλληλη για υπαίθρια χρήση και εξοπλισμένη με αδιάβροχο φικ και πρίζα σύνδεσης
- Χρησιμοποιείτε ασφαλείς, τελειώς ξετυλιγμένες προεκτάσεις καλωδίου με χωρητικότητα 16 Amps
- Κατά το χειρισμό του εργαλείου σε υγρό περιβάλλον, να χρησιμοποιείτε συσκευή προστασίας από διαρροή

ρεύματος (RCD) με ρεύμα ενεργοποίησης 30 mA το μέγιστο

- Μην πατάτε, μην συμπιέζετε και μην τραβάτε το καλώδιο (προέκτασης)
- Προστατέψτε το καλώδιο (προέκτασης) από θερμότητα, τα λάδια και τα αιχμηρά άκρα
- **Φροντίστε το καλώδιο ή τη μπαλαντέζα να βρίσκονται μακριά από τις περιστρεφόμενες μεσηνέζες**
- Πάντα να σβήνετε το εργαλείο και να αποσυνδέετε το φικ από την τροφοδοσία ρεύματος εάν το καλώδιο τροφοδοσίας ρεύματος ή η μπαλαντέζα είναι κομμένη, φθαρμένη ή κουβαριασμένη (**μην ακουμπάτε το καλώδιο πριν από την αποσύνδεση του φικ**)

ΠΡΙΝ ΑΠΟ ΤΗ ΧΡΗΣΗ

- Να χρησιμοποιείτε το εργαλείο μόνο στο φως της ημέρας ή με κατάλληλο τεχνητό φωτισμό
- Ελέγξτε τη λειτουργία του εργαλείου πριν από κάθε χρήση και μετά από κτύπημα, και σε περίπτωση βλάβης, να το παραδώσετε για επισκευή σε κάποιο εξειδικευμένο άτομο (ποτέ μην ανοίγετε μόνοι σας το εργαλείο)
- Πριν από τη χρήση να ελέγχετε προσεκτικά την περιοχή κοπής και να αφαιρείτε τυχόν αντικείμενα πάνω στα οποία είναι πιθανόν να κτυπήσει το εργαλείο κατά την κοπή (όπως πέτρες, κομμάτια ξύλου κλπ.)

ΚΑΤΑ ΤΗ ΧΡΗΣΗ

- Ποτέ μη χρησιμοποιείτε το εργαλείο όταν έχει υποστεί βλάβη το καλώδιο - το καλώδιο θα πρέπει να αντικατασταθεί από έναν εξειδικευμένο τεχνίτη
- Ποτέ μη χειρίζεστε το εργαλείο εάν ο προφυλακτήρας έχει ζημιά ή αν δεν είναι καθόλου τοποθετημένος
- **Η μεσηνέζα συνεχίζει να περιστρέφεται για μικρό χρονικό διάστημα μετά το σβήσιμο του εργαλείου**
- Μην κόβετε χλόη ή οποια δε βρίσκεται στο έδαφος (π.χ. επάνω σε τοίχους ή βράχους)
- Μη διασχίζετε δρόμους ή χαλικόστρωτα μονοπάτια με το εργαλείο σε λειτουργία
- Μην αφαιρέσετε, να είστε πάντα συγκεντρωμένοι στην εργασία σας
- Πάντα να αποσυνδέετε το φικ από την πηγή ρεύματος
 - οποτεδήποτε αφήνετε το εργαλείο χωρίς επιτήρηση
 - πριν από τον καθαρισμό των σφηνωμένων υλικών
 - πριν από τον έλεγχο, τον καθαρισμό ή την εργασία με το εργαλείο
 - μετά από κάποιο κτύπημα σε ξένο αντικείμενο
 - οποτεδήποτε το εργαλείο αρχίζει να παρουσιάζει αντικανονικούς κραδασμούς
- Να φροντίζετε πάντα τα ανοίγματα εξαερισμού να παραμένουν καθαρά από σκουπίδια

ΜΕΤΑ ΤΗ ΧΡΗΣΗ

- Πάντα να σβήνετε το εργαλείο και να βγάξετε το φικ από την πρίζα πριν από την εκτέλεση ρύθμισης, την αλλαγή καρουλιού, τον καθαρισμό ή όταν αφήνετε το εργαλείο χωρίς επιτήρηση για οποιοδήποτε διάστημα
 - Αποθηκεύστε το εργαλείο σε εσωτερικούς χώρους σε μέρος δροσερό και κλειδωμένο, μακριά από παιδιά
- ΕΠΕΞΗΓΗΣΗ ΤΩΝ ΣΥΜΒΟΛΩΝ ΣΤΟ ΕΡΓΑΛΕΙΟ**
- ③ Προειδοποίηση! Διαβάστε το χειρίδιο χειρισμού
 - ④ Μην εκθέτετε το εργαλείο στη βροχή
 - ⑤ Να φοράτε προστατευτικά γυαλιά

- ⑥ **Προσέξτε για τον κίνδυνο τραυματισμού λόγω εκτοξευόμενων σκουπιδιών** (φροντίστε οι παριστάμενοι να βρίσκονται σε ασφαλή απόσταση από την περιοχή εργασίας)
- ⑦ Να αποσυνδέετε αμέσως το φινις εάν το καλώδιο (προέκτασης) πάθει ζημιά ή κοπεί κατά την εργασία
- ⑧ Διπλή μόνωση (δεν απαιτείται καλώδιο γείωσης)

ΧΡΗΣΗ

- Προφυλακτήρας κοπτικού ⑩
 - Τοποθετήστε τον προφυλακτήρα του κοπτικού Α όπως εικονίζεται με την παρεχόμενη στρογγυλοκέφαλη βίδα
 - ! **ποτέ μη χρησιμοποιείτε το εργαλείο χωρίς τον προφυλακτήρα Α**
- Τοποθέτηση/ρύθμιση λαβής οδήγησης ⑪
 - τοποθετήστε τη λαβή οδήγησης Β όπως εικονίζεται με τις 4 παρεχόμενες βίδες
 - ! **σφίξτε καλά και τις 4 βίδες**
- Υποδοχή καλωδίου ⑫
 - κρεμάστε τη θηλιά του καλωδίου προέκτασης επάνω απ' την υποδοχή C όπως εικονίζεται
 - τραβήξτε γερά για να στερεωθεί το καλώδιο προέκτασης
- Ρύθμιση ύψους ⑬
 - Για τη ρύθμιση του ύψους του εργαλείου έτσι ώστε ο εμπρόσθιος βραχίονας σας να είναι ευθυγραμμισμένος κατά την κοπή
 - λύστε το χιτώνιο ασφάλισης D ② στρέφοντας το δεξιόστροφα
 - προεκτείνετε το σωλήνα E ② στο επιθυμητό ύψος
 - σφίξτε το χιτώνιο ασφάλισης D ② στρέφοντας το αριστερόστροφα
- Εκκίνηση/Σταση ⑭
 - ενεργοποιήστε το εργαλείο πατώντας το διακόπτη σκανδάλης F
 - απενεργοποιήστε το εργαλείο αφήνοντας το διακόπτη σκανδάλης F
 - ! **μετά το σβήσιμο του εργαλείου η μεσηνέζα θα συνεχίσει να κινείται για μερικά δευτερόλεπτα**
 - αφήστε να σταματήσει η μεσηνέζα την περιστροφή της πριν από το εκ νέου άναμμα
 - ! **μην αναβοσβήνετε απότομα το εργαλείο**
- Κοπή χόρτου
 - ! **βεβαιωθείτε ότι το κόκκινο καπάκι G ② έχει αφαιρεθεί από τη λάμα της μεσηνέζας πριν από τη χρήση του εργαλείου**
 - ! **βεβαιωθείτε ότι η περιοχή κοπής δεν περιέχει πέτρες, μπάζα ή άλλα αντικείμενα**
 - ! **να ξεκινάτε την κοπή χόρτου μόνο όταν το εργαλείο έχει αναπτύξει τις μέγιστες στροφές του**
 - αρχίστε το κλάδεμα κοντά στην πρίζα παροχής ρεύματος και απομακρυνθείτε όσο εργάζεστε
 - να κόβετε τα μακριά χόρτα σε διαδοχικά περάσματα (αρχίζοντας πάντα από επάνω)
 - να κόβετε μόνο με το άκρο της μεσηνέζας
 - μην κόβετε υγρά ή μουσκεμένα χόρτα
 - προσέξτε ώστε τα κομμένα χόρτα να μη σφηνώσουν στο καρούλι (μην κάνετε χοντρά κοψίματα)
 - μην υπερφορτώνετε το εργαλείο

- να κόβετε προσεκτικά γύρω από δέντρα και θάμνους ώστε οι κορμοί τους να μην έρθουν σε επαφή με τη μεσηνέζα
- φροντίστε το εργαλείο να παραμένει μακριά από άκαμπτα αντικείμενα, προκειμένου να μη φθείρεται υπερβολικά η μεσηνέζα
- να έχετε υπ' όψη σας ότι το εργαλείο "κλωτσάει" εάν ακουμπήσει σε κάποιο άκαμπτο αντικείμενα
- Πώς να κρατάτε και να οδηγείτε το εργαλείο ⑮
 - για να κόψετε ψηλά χόρτα, να κάνετε αργές κυκλικές κινήσεις από τα δεξιά προς τα αριστερά με το εργαλείο και αντιστρόφως
 - για να κόψετε πιο κοντά χόρτα να γέρνετε το εργαλείο όπως εικονίζεται
 - για την περιποίηση άκρων, να στρέψετε το εργαλείο σε γωνία 180°
 - κρατάτε καλά το εργαλείο, με τα δύο χέρια, ούτως ώστε να έχετε ανά πάσα στιγμή τον πλήρη έλεγχο του εργαλείου
 - κρατηθείτε σε σταθερή θέση εργασίας
 - πάντα να κρατάτε το εργαλείο σε αρκετή απόσταση από το σώμα σας
- Τροφοδοσία μεσηνέζας ⑯
 - κτυπήστε ελαφρά το μπουτόν Η στο έδαφος (κατά προτίμηση σε σκληρή επιφάνεια) όταν το μοτέρ είναι σε λειτουργία
 - απελευθερώνονται δύο άκρα της μεσηνέζας και θα κοπούν στο σωστό μήκος από τη λάμα κοπής μεσηνέζας J
 - ! **βεβαιωθείτε ότι το κόκκινο καπάκι G ② έχει αφαιρεθεί από τη λάμα της μεσηνέζας πριν από τη χρήση του εργαλείου**
 - ! **προσέξτε να μην τραυματιστείτε από τη λάμα κοπής της μεσηνέζας J**
 - μετά την τροφοδοσία μεσηνέζας, πάντα να επαναφέρετε το εργαλείο στην κανονική θέση λειτουργίας του προτού το ανάψετε
 - να τροφοδοτείτε τακτικά μεσηνέζα ώστε το εργαλείο να κόβει σε ολόκληρο τον κύκλο του
 - όταν το μοτέρ λειτουργεί χωρίς φορτίο και δεν κόβονται χόρτα, τότε η μεσηνέζα έχει φθαρεί τελείως ή έχει σπάσει - ξετυλίξτε το καρούλι ή αντικαταστήστε το σύστημα καρουλιού
- Επανατύλιξη καρουλιού ⑰
 - Σε περίπτωση που δεν προεξέχουν τα άκρα της μεσηνέζας από το καπάκι του καρουλιού K
 - ! **απενεργοποιήστε το εργαλείο και βγάλτε το φινις από την πρίζα**
 - αφαιρέστε το σύστημα καρουλιού από το εργαλείο και βγάλτε το καρούλι από το καπάκι K
 - επανατυλίξτε σφικτά και τις δύο μεσηνέζες, ομοιόμορφα και σε στρώματα κατά την κατεύθυνση του βέλους
 - εισάγετε και τις δύο μεσηνέζες στις υποδοχές του καρουλιού X και βεβαιωθείτε ότι έχουν στερεωθεί καλά στη θέση τους (αφήστε επαρκές μήκος μεσηνέζας)
 - περάστε και τις δύο μεσηνέζες μέσα από τις οπές του καρουλιού Y πριν από την τοποθέτηση του επανατυλιγμένου καρουλιού μέσα στο καπάκι του K
 - ! **βεβαιωθείτε ότι το καρούλι έχει στερεωθεί καλά στη θέση του, στη συνέχεια**

απελευθερώστε και τα δύο άκρα της μεσηνέζας από τις υποδοχές X, τραβώντας τα γερά

- τοποθετήστε το σύστημα καρουλιού επάνω στο εργαλείο (γυρίστε δεξιόστροφα το καρούλι μέχρι να κοιμπώσει στη θέση του) 18
- Αντικατάσταση συστήματος καρουλιού 18
- ! **απενεργοποιήστε το εργαλείο και βγάλτε το φιν από την πρίζα**
- απλά αφαιρέστε / τοποθετήστε το παλιό / νέο σύστημα καρουλιού όπως εικονίζεται
- να χρησιμοποιείτε μόνο το σύστημα καρουλιού SKIL 2610Z01354 με αυτό το εργαλείο (**τυχόν βλάβη λόγω της χρήσης άλλου συστήματος καρουλιού δε θα καλύπτεται από την εγγύηση**)
- μετά την αντικατάσταση του συστήματος καρουλιού δοκιμάστε το εργαλείο για τουλάχιστον ένα λεπτό χωρίς φορτίο για να εξασφαλιστεί η σωστή λειτουργία του εργαλείου

ΣΥΝΤΗΡΗΣΗ / ΣΕΡΒΙΣ

- Αυτό το εργαλείο δεν προορίζεται για επαγγελματική χρήση
- **Πάντα να βγάτε το φιν από την πρίζα πριν από τον καθαρισμό και / ή τη συντήρηση**
- Κρατάτε πάντοτε το εργαλείο και το καλώδιο καθαρά (και ιδιαίτερα τις σχισμές αερισμού)
- καθαρίστε το εργαλείο με ένα ελαφρά βρεγμένο πανί (μην χρησιμοποιείτε απορρυπαντικά ή διαλυτικά)
- καθαρίστε τη λάμα κοπής μεσηνέζας J 2 και τον προφυλακτήρα κοπής A 2 μετά από κάθε χρήση
- Καθαρίζετε τις σχισμές εξαερισμού L 2 τακτικά είτε με βούρτσα είτε με συμπιεσμένο αέρα
- Να ελέγχετε τακτικά την κατάσταση της κεφαλής κοπής και την καλή σύσφιξη των παξιμαδιών, των μπουλονιών και των βιδών
- Να ελέγχετε τακτικά για φθαρμένα ή σπασμένα εξαρτήματα και να φροντίζετε για την επισκευή ή αντικατάστασή τους εάν είναι απαραίτητο
- Αποθήκευση 19
- αποθηκεύστε το εργαλείο σε εσωτερικούς χώρους σε μέρος δροσερό και κλειδωμένο, μακριά από παιδιά
- να στερεώστε καλά στον τοίχο τη ράγα αποθήκευσης M με 4 βίδες (δεν παρέχονται) και να την οριζοντιώσετε
- Αν παρ' όλης τις επιμελημένες μεθόδους κατασκευής κι ελέγχου το εργαλείο σταματήσει κάποτε να λειτουργεί, τότε η επισκευή του πρέπει να ανατεθεί σ' ένα εξουσιοδοτημένο συνεργείο για ηλεκτρικά εργαλεία της SKIL
- στείλτε το εργαλείο χωρίς να το αποσυαρμολογήσετε μαζί με την απόδειξη αγοράς στο κατάστημα από το οποίο το αγοράσατε ή στον πλησιέστερο σταθμό τεχνικής εξυπηρέτησης της SKIL (θα βρείτε τις διευθύνσεις και το διάγραμμα συντήρησης του εργαλείου στην ιστοσελίδα www.skil.com)

ΑΝΤΙΜΕΤΩΠΙΣΗ ΠΡΟΒΛΗΜΑΤΩΝ

- Στον παρακάτω κατάλογο παρατίθενται συμπτώματα βλαβών, πιθανές αιτίες και επανορθωτικές ενέργειες (εάν με αυτά δεν εντοπιστεί και αποκατασταθεί το

πρόβλημα, επικοινωνήστε με τον αντιπρόσωπο ή το κέντρο σέρβις)

! **πριν από τη διερεύνηση του προβλήματος, κλείστε το διακόπτη του εργαλείου και βγάλτε το από την πρίζα**

- ★ Το εργαλείο δε λειτουργεί
- υπάρχει πρόβλημα στην πρίζα -> χρησιμοποιήστε άλλη πρίζα
- το καλώδιο προέκτασης έχει ζημιά -> αντικαταστήστε το καλώδιο προέκτασης
- ★ Το εργαλείο κάνει διακοπές
- ελαττωματική εσωτερική καλωδίωση -> επικοινωνήστε με τον αντιπρόσωπο ή το κέντρο σέρβις
- ελαττωματικές διακόπτης on/off -> επικοινωνήστε με τον αντιπρόσωπο ή το κέντρο σέρβις
- ★ Το εργαλείο παρουσιάζει αντικοινωνικές δονήσεις
- το χόρτο είναι υπερβολικά υψηλό -> να κόβετε σε πολλά περάσματα
- ★ Το εργαλείο δεν κόβει
- η μεσηνέζα είναι πολύ κοντή / σπασμένη -> τροφοδοτήστε μεσηνέζα με το χέρι
- ★ Δεν είναι δυνατή η τροφοδοσία μεσηνέζας
- άδειο καρούλι -> αλλάξτε καρούλι
- η μεσηνέζα έχει παγιδευτεί μέσα στο καρούλι -> επιθεωρήστε το καρούλι και επανατυλίξτε το εάν είναι απαραίτητο
- ★ Η μεσηνέζα δεν έχει κοπεί στο σωστό μήκος -> αφαιρέστε το κάλυμμα από τη λεπίδα κοπής
- ★ Η μεσηνέζα σπάει κάθε τόσο
- η μεσηνέζα έχει παγιδευτεί μέσα στο καρούλι -> επιθεωρήστε το καρούλι και επανατυλίξτε το εάν είναι απαραίτητο
- το χορτοκοπτικό δε χρησιμοποιείται σωστά -> να κόβετε μόνο με το άκρο της μεσηνέζας και να αποφεύγετε πέτρες, τοίχους και άλλα σκληρά αντικείμενα, και να τροφοδοτείτε τακτικά μεσηνέζα

ΠΕΡΙΒΑΛΛΟΝ

- **Μην πετάτε τα ηλεκτρικά εργαλεία, εξαρτήματα και συσκευασία στον κάδο οικιακών απορριμμάτων** (μόνο για τις χώρες της ΕΕ)
- σύμφωνα με την ευρωπαϊκή οδηγία 2012/19/EK περί ηλεκτρικών και ηλεκτρονικών συσκευών και την ενσωμάτωσή της στο εθνικό δίκαιο, τα ηλεκτρικά εργαλεία πρέπει να συλλέγονται ξεχωριστά και να επιστρέφονται για ανακύκλωση με τρόπο φιλικό προς το περιβάλλον
- το σύμβολο 9 θα σας το θυμίσει αυτό όταν έλθει η ώρα να πετάξετε τις

ΔΗΛΩΣΗ ΣΥΜΜΟΡΦΩΣΗΣ CE

- Δηλώνουμε υπευθύνως ότι το προϊόν που περιγράφεται στα "Τεχνικά χαρακτηριστικά" εκπληρώνει τους εξής κανονισμούς ή κατασκευαστικές συστάσεις: EN 60335, EN 61000, EN 55014 σύμφωνα με τις διατάξεις των οδηγιών 2006/95/EK, 2004/108/EK, 2006/42/EK, 2000/14/EK, 2011/65/EE
- **Τεχνικός φάκελος από:** SKIL Europe BV (PT-SEU/EN61), 4825 BD Breda, NL

Marijn van der Hoofden
Operations & Engineering

Olaf Dijkgraaf
Approval Manager

SKIL Europe BV, 4825 BD Breda, NL

19.12.2013

CE10

ΘΟΡΥΒΟ/ΚΡΑΔΑΣΜΟΥΣ

- Μετρημένη σύμφωνα με EN 60335 η στάθμη ακουστικής πίεσης αυτού του εργαλείου ανέρχεται σε 70 dB(A) και η στάθμη ηχητικής ισχύος σε 90 dB(A) (κοινή απόκλιση: 3 dB), και ο κραδασμός σε $2,5 \text{ m/s}^2$ (μεθοδος χειρός/βραχίονα - ανασφάλεια $K = 1,5 \text{ m/s}^2$)
 - Μέτρηση σύμφωνα με το 2000/14/EC (EN/ISO 3744) η εγγυημένη στάθμη ηχητικής ισχύος LWA είναι χαμηλότερη των 93 dB(A) (διαδικασία αξιολόγησης της Δήλωσης συμβατότητας σύμφωνα με το παράρτημα VI) Αρμόδιος φορέας : KEMA, Arnhem, NL
Αρ. πρωτοκόλλου αρμόδιου φορέα : 0344
 - Το επίπεδο παραγωγής κραδασμών έχει μετρηθεί σύμφωνα με μια τυποποιημένη δοκιμή που αναφέρεται στο πρότυπο EN 60335 - μπορεί να χρησιμοποιηθεί για τη σύγκριση ενός εργαλείου με ένα άλλο, καθώς και ως προκαταρκτική αξιολόγηση της έκθεσης στους κραδασμούς όταν το εργαλείο χρησιμοποιείται για τις εφαρμογές που αναφέρονται
 - η χρήση του εργαλείου για διαφορετικές εφαρμογές ή με διαφορετικά ή κακοσυντηρημένα εξαρτήματα μπορεί να αυξήσει σημαντικά το επίπεδο έκθεσης
 - όταν το εργαλείο είναι απενεργοποιημένο ή δουλεύει αλλά δεν εκτελεί την εργασία, το επίπεδο έκθεσης μπορεί να μειωθεί σημαντικά
- ! προσαυτεείτε από τις επιδράσεις των κραδασμών συντηρώντας σωστά το εργαλείο και τα εξαρτήματά του, διατηρώντας τα χέρια σας ζεστά και οργανώνοντας τον τρόπο εργασίας σας**

RO

Trimmer pentru gazon

0730

INTRODUCERE

- Acest instrument este proiectat pentru tăierea gazonului și a buruienilor de sub arbuști, precum și de pe pante sau margini care nu sunt accesibile pentru mașinile de tuns peluza
- Această sculă nu este destinată utilizării profesionale

- Verificați dacă ambalajul conține toate componentele așa cum se ilustrează în desenul ②
- În cazul în care lipsesc piese sau acestea sunt deteriorate, contactați distribuitorul
- **Citiți cu atenție acest manual de instrucțiuni înainte de utilizare și păstrați-l pentru consultare ulterioară** ③
- **Acordați o atenție specială instrucțiunilor de securitate și avertizare; neglijarea acestora poate duce la vătămări grave**

DATE TEHNICE ①

ELEMENTELE SCULEI ②

- A Protecție pentru tăiere
- B Mâner de ghidare
- C Clemă de prindere cablu
- D Manșon de blocare
- E Tub telescopic
- F Întrerupător trăgaci
- G Capacul lamei de tăiere
- H Buton pentru alimentarea cu fir
- J Lamă de tăiere a firului
- K Capacul bobinei
- L Fantele de ventilație
- M Șină de depozitare (nu se furnizează împreună cu șuruburile)
- N Cârlig de depozitare

SIGURANȚA

INSTRUCȚIUNI DE SIGURANȚĂ SPECIFICE PENTRU TRIMMERELE DE GAZON

GENERALITĂȚI

- Familiarizați-vă cu comenzile și cu utilizarea corespunzătoare a instrumentului
- Utilizatorul este responsabil de accidentele sau pericolele în care sunt puse alte persoane sau bunurile acestora
- Utilizați instrumentul numai dacă temperatura ambiantă se situează între 0°C și 40°C
- Nu montați niciodată elemente de tăiere din metal pe acest instrument

SECURITATEA PERSOANELOR

- Această sculă nu este destinată utilizării de către persoane (inclusiv copii) cu capacități reduse fizice, senzoriale sau mentale, sau fără experiență și cunoștințe, cu excepția cazului în care sunt supravegheați sau instruiți în privința folosirii sculei de către o persoană responsabilă pentru siguranța lor
- Asigurați-vă că copii nu se joacă cu scula
- Nu lăsați niciodată copiii sau persoanele care nu cunosc instrucțiunile de utilizare să folosească scula
- **Țineți degetele la distanță față de lama de tăiere a firului integrată în protecția pentru tăiere**
- Țineți mâinile și picioarele la distanță de firele de tăiere în timpul tunderii gazonului, în special când porniți instrumentul
- Purtați întotdeauna protecție pentru ochi, pantaloni lungi și încălțăminte solidă când utilizați instrumentul

- Nu utilizați niciodată instrumentul în imediata apropiere a persoanelor; opriți utilizarea unelei când se află în apropiere persoane (în special copii) sau animale de companie
- Nu utilizați niciodată instrumentul când sunteți oboșiți, bolnavi sau sub influența alcoolului sau drogurilor

SECURITATE ELECTRICĂ

- Verificați întotdeauna dacă tensiunea de alimentare este aceeași cu tensiunea indicată pe plăcuța de identificare a sculei (sculele cu o specificație de 230V și 240V pot fi conectate și la alimentare de 220V)
- Verificați periodic cordonul și dacă este deteriorat cereți unei persoane calificate să le înlocuiască
- Verificați periodic cablul prelungitor și înlocuiți-l dacă este deteriorat (**cordoanele de record necorespunzătoare pot fi periculoase**)
- Folosiți doar un cablu prelungitor destinat utilizării în aer liber echipat cu un ștecher și o priză protejate contra stropirii
- Folosiți cabluri de prelungire derulate complet, protejate/izolate, cu o capacitate de 16 amperi
- Atunci când folosiți instrumentul în medii cu umiditate crescută, utilizați un dispozitiv de curent rezidual (RCD) cu un curent de declanșare de maxim 30 mA
- Nu călcați, nu striviți și nu trageți de cablul prelungitor
- Protejați cablul prelungitor de căldură, ulei și contactul cu muchii ascuțite
- **Mențineți cablul (prelungitor) la distanță față de firele rotative de tăiere**
- Opriti întotdeauna instrumentul și decuplați ștecherul de la sursa de alimentare în cazul în care cablul de alimentare sau cablul prelungitor este tăiat, deteriorat sau încurcat (**nu atingeți cablul înainte de a decupla ștecherul**)

ÎNAINTEA UTILIZĂRII

- Utilizați instrumentul numai în timpul zilei sau cu o sursă adecvată de lumină artificială
- Verificați funcționarea instrumentului înaintea fiecărei utilizări și după orice impact; în cazul unei defecțiuni, dispuneți imediat repararea de către o persoană calificată (nu demontați niciodată personal instrumentul)
- Înaintea utilizării, inspectați riguros zona de tăiere și îndepărtați orice obiect pe care instrumentul îl poate proiecta în timpul tăierii (cum ar fi pietre, așchii desprinse etc.)

ÎN TIMPUL FUNCȚIONĂRII

- Nu folosiți scula atunci când cordonul sau prezintă defecțiuni; înlocuirea lor se va efectua de o persoană autorizată
- Nu utilizați niciodată instrumentul cu o protecție de tăiere deteriorată sau fără protecția de tăiere montată
- **Firele de tăiere continuă să se rotească o perioadă scurtă de timp după oprirea unelei**
- Nu tăiați iarba care nu se află pe sol (de ex. pe pereți sau pietre)
- Nu traversați drumuri sau cărări cu pietriș cu instrumentul pornit
- Nu vă lăsați distrași și concentrați-vă întotdeauna asupra lucrului
- Decuplați întotdeauna ștecherul de la sursa de alimentare
 - oricând lăsați instrumentul nesupravegheat

- înainte de a curăța materialele prinse în instrument
- înainte de a verifica instrumentul, de a-l curăța sau de a lucra la acesta
- după lovirea unui corp străin
- oricând instrumentul începe să vibreze în mod neobișnuit

- Asigurați-vă întotdeauna că nu sunt prinse reziduuri în orificiile de ventilare

DUPĂ UTILIZARE

- **Opriti întotdeauna instrumentul și deconectați ștecherul de la sursa de curent electric înainte de a efectua reglaje, a înlocui bobinele, a curăța sau a lăsa instrumentul nesupravegheat pe orice perioadă de timp**
 - Depozitați scula în interior, într-un loc uscat și încluiat, la care copiii să nu aibă acces
- ## EXPLICAȚIA SIMBOLURILOR DE INSTRUMENT
- ③ **Avertisment!** Citiți manualul de instrucțiuni
 - ④ Nu expuneți instrumentul la ploaie
 - ⑤ Purtați ochelari de protecție
 - ⑥ **Acordați atenție pericolului de rănire din cauza reziduurilor proiectate** (persoanele din apropiere trebuie să stea la o distanță sigură de zona de lucru)
 - ⑦ În cazul în care cablul prelungitor este deteriorat sau secționat în timpul lucrului, deconectați imediat instrumentul de la priză
 - ⑧ Izolație dublă (nu este necesar fir de împământare)

UTILIZAREA

- Protecție pentru tăiere ⑩
 - montați protecția pentru tăiere A în modul indicat în imagine, cu șurubul cu cap rotund furnizat
 - ! **nu utilizați niciodată instrumentul fără protecția pentru tăiere A**
- Montarea/reglarea mânerului de ghidare ⑪
 - montați mânerul de ghidare B în modul indicat în imagine, cu cele 4 șuruburi furnizate
 - ! **strângeți ferm toate cele 4 șuruburi**
- Clemă de prindere cablu ⑫
 - fixați bucla cablului prelungitor în clemă de prindere a cablului C, conform ilustrației
 - trageți ferm pentru a fixa cablul prelungitor
- Reglarea înălțimii ⑬
 - Pentru reglarea înălțimii unelei, astfel încât brațul din față să fie drept în timpul tunderii gazonului
 - slăbiți manșonul de blocare D ⑭ rotindu-l în sens orar
 - extindeți tubul E ⑮ la înălțimea dorită
 - strângeți manșonul de blocare D ⑭ rotindu-l în sens antiorar
- Pornit/oprit ⑯
 - porniți scula prin apăsarea întrerupătorului trăgaci F
 - opriți scula prin eliberarea întrerupătorului trăgaci F
 - ! **după oprirea instrumentului, firele de tăiere continuă să se rotească timp de câteva secunde**
 - lăsați firele de tăiere să își oprească rotația înainte de a porni instrumentul din nou
 - ! **nu porniți și nu opriți rapid instrumentul**
- Tunderea gazonului
 - ! **asigurați-vă că capacul roșu G ⑰ este îndepărtat de pe lama de tăiere a firului înaintea utilizării instrumentului**

! asigurați-vă că în zona de tăiere nu se află pietre, deșeuri și alte obiecte străine

! începeți tunderea numai atunci când instrumentul funcționează la viteza maximă

- începeți să tundeți în apropierea prizei de rețea și îndepărtați-vă de aceasta în timpul lucrului
 - tăiați iarba lungă în straturi (începeți întotdeauna de sus)
 - tundeți numai cu extremitatea firului de tăiere
 - nu tăiați iarba umedă sau udă
 - împiedicați înfundarea bobinei cu iarba tăiată (nu tăiați cantități mari)
 - nu supraîncărcați instrumentul
 - tăiați cu atenție în jurul arborilor și arbuștilor, astfel încât aceștia să nu intre în contact cu firele de tăiere
 - mențineți instrumentul la distanță față de obiectele dure pentru a proteja firele de tăiere împotriva uzurii excesive
 - aveți grijă la forțele de recul care apar la atingerea obiectelor dure
- Mănuirea și dirijarea sculei 15
- pentru tăierea ierbii înalte, pivotați lent instrumentul de la dreapta la stânga și invers
 - pentru tăierea ierbii mai scurte, înclinați instrumentul în modul indicat în imagine
 - rotiți instrumentul la 180° pentru tunderea marginilor
 - țineți strâns dispozitivul cu ambele mâini, astfel încât să aveți tot timpul un control total asupra lui
 - mențineți o poziție de lucru stabilă
 - țineți întotdeauna instrumentul la o distanță considerabilă față de corpul dumneavoastră

• Alimentarea cu fir 16

- loviți ușor butonul H de sol (preferabil de o suprafață dură) cu motorul pornit
- două fire de tăiere vor fi eliberate și tăiate la lungimea corectă de către lama de tăiere a firului J

! asigurați-vă că capacul roșu G 2 este îndepărtat de pe lama de tăiere a firului înaintea utilizării instrumentului

! protejați-vă împotriva accidentărilor cu lama de tăiere J

- după alimentarea cu fir, readuceți întotdeauna instrumentul în poziția normală de funcționare înainte de a o porni
- alimentați regulat cu fir pentru a menține un ciclu complet de tăiere
- dacă motorul funcționează cu sarcină și nu se taie iarbă, firele de tăiere sunt uzate sau rupte; rebobinați bobina sau înlocuiți sistemul bobinei

• Rebobinarea bobinei 17

În cazul în care firele de tăiere nu ies prin capacul bobinei K

! opriți scula și scoateți-l din priză

- îndepărtați sistemul bobinei de pe instrument și scoateți bobina din capacul acesteia K
- rebobinați strâns ambele fire de tăiere uniform în straturi, în direcția săgeții
- introduceți ambele fire în fantele bobinei X și asigurați-vă că se află într-o poziție sigură (lăsați o lungime suficientă a firului)
- treceți ambele fire prin orificiile bobinei Y înaintea așezării bobinei rebobinate în capacul acesteia K

! asigurați-vă că bobina se află într-o poziție sigură, apoi eliberați ambele fire din fantele X trăgându-le ferm

- montați sistemul bobinei pe instrument (**rotiți bobina în sensul acelor de ceasornic până când se fixează**) 18

• Înlocuirea sistemului bobinei 18

! opriți scula și scoateți-l din priză

- este suficient să îndepărtați/montați vechiul/noul sistem al bobinei în modul indicat în imagine
- utilizați numai sistemul bobinei SKIL 2610Z01354 cu acest instrument (**deteriorarea survenită prin utilizarea altor sisteme de bobină nu va fi acoperită de garanție**)
- după înlocuirea sistemului bobinei, efectuați o pornire de test a instrumentului cel puțin un minut fără sarcină, pentru a vă asigura că instrumentul funcționează coresponsuzător

ÎNȚREȚINERE / SERVICE

- Această sculă nu este destinată utilizării profesionale
- **Deconectați întotdeauna ștecherul de la sursa de curent electric înaintea curățării și/sau întreținerii**
- Păstrați aparatul și cablul curat (mai ales fantele de ventilație)
 - instrumentul se curăță cu o cârpă umedă (nu se folosesc agenți sau solvenți de curățat)
 - curățați lama de tăiere J 2 și protecția pentru tăiere A 2 după fiecare utilizare
 - curățați orificiile de aerisire L 2 regulat cu o perie sau cu aer comprimat
- Verificați regulat starea capului de tăiere și strângerea piulițelor, bolțurilor și șuruburilor
- Verificați periodic dacă există componente uzate sau deteriorate și reparați-le/înlocuiți-le atunci când este necesar
- Depozitare 19
 - depozitați scula **în interior**, într-un loc uscat și încălzit, la care copiii să nu aibă acces
 - fixați bine șina de depozitare M pe perete folosind 4 șuruburi (**nu se furnizează cu instrumentul**), pe orizontală
- Dacă în ciuda procedeelelor de fabricație și control riguroase scula are totuși o pană, repararea acesteia se va face numai la un atelier de asistență service autorizat pentru scule electrice SKIL
 - trimiteți scula **în totalitatea lui** cu bonul de cumpărare la distribuitorul sau la centrul de service SKIL cel mai apropiat (adrese și diagrame de service se găsesc la www.skil.com)

DEPANAREA

- Următoarea listă prezintă simptomele problemelor, cauzele posibile și operațiunile de corectare (dacă acestea nu pot fi identificate și problema nu poate fi corectată, contactați furnizorul sau centrul de service)

! opriți și deconectați instrumentul de la priză înainte de investigarea problemei

★ Instrumentul nu funcționează

- ștecherul de alimentare este defect -> folosiți un alt ștecher

- каблът прелунгитор е дeтeриoрaт -> ѝнлoуиџи кaблът прeлунгитoр
- ★ Instrumentul funcționează intermitent
 - каблуритe дeфeктe -> кoнтактaџи фурнизoрul/центру дe сeрвисe
 - кoмyтaтoр дe пoрнитe/oпритe дeфeкт -> кoнтактaџи фурнизoрul/центру дe сeрвисe
- ★ Instrumentul vibrează anormal
 - iarba преа ѝнaлџа -> тaџиaџи ѝн eтaпe
- ★ Instrumentul nu taie
 - firul eстe преа сурт/рупт -> алимeнтaџи мaнyалу кy фир
- ★ Nu se poate alimenta cu fir
 - bobina eстe гоaлa -> ѝнлoуиџи бoбинa
 - firul eстe ѝнсуркaт ѝн бoбинa -> ѝнспектaџи бoбинa; rebobinaџи дaкa eстe нeсeсар
- ★ Firul nu este tăiat la lungimea corectă -> ѝндeпaрџaтaџи кaпaкy лaмeи дe тaџиeрe
- ★ Firul se rupe ѝн мoд рeпeтaт
 - firul eстe ѝнсуркaт ѝн бoбинa -> ѝнспектaџи бoбинa; rebobinaџи дaкa eстe нeсeсар
 - trimmerul eстe ултaилзaт ѝнкoрeкт -> тундeџи нoмaи кy eстрeмитaтea фирулui; eвaтaџи пьeтрeлe, зидуритe џи aлтe oбьeктe дурe; алимeнтaџи рeгулaт кy фир

MEDIUL

- Nu aruncați sculele electrice, accesoriile sau ambalajele direct la pubelele de gunoi (numai pentru țările din Comunitatea Europeană)
 - Directiva Europeană 2012/19/EC face referire la modul de aruncare a echipamentelor electrice și electronice și modul de aplicare a normelor ѝн кoнформитaтe кy лeгислaџиa нaџиoнaлa; скулeлe eлeктрицe ѝн мoмeнтул ѝн карe ау aтѝн у грaд aвaнсaт дe узурa џи трeбуиeсc арунсaтe, eлe трeбуиeсc кoлeктaтe сeпaрaт џи рeциклaтe ѝнтр-ун мoд кe рeспeктa нoрмeлe дe прoтeкџиe a мeдиулui ѝнкoнџурaтoр
 - simbolul ⑨ vа rеaмѝntи aсeст лyкру

DECLARAȚIE DE CONFORMITATE CE

- Declarăm pe proprie răspundere că produsul descris la paragraful "Date tehnice" este ѝн кoнформитaтe кy următoarele standarde și documente normative: EN 60335, EN 61000, EN 55014 conform prevederilor directivelor 2006/95/CE, 2004/108/CE, 2006/42/CE, 2000/14/CE, 2011/65/UE
- Documentație tehnică la: SKIL Europe BV (PT-SEU/ENG1), 4825 BD Breda, NL

Marijn van der Hoofden
Operations & Engineering

Olaf Dijkgraaf
Approval Manager




SKIL Europe BV, 4825 BD Breda, NL

19.12.2013

CE10

ZGOMOT/VIBRAȚII

- Măsurat ѝн кoнформитaтe кy EN 60335 нивелу дe прeсиунe a сунeтулui гeнeрaт дe aсeст instrument eстe дe 70 dB(A) iar нивелу дe путeрe a сунeтулui 90 dB(A) (abaterea standard: 3 dB), iar нивелу вибраџиoрul <2,5 m/s² (metoda mînă-brat; incertitudine K = 1,5 m/s²)
- Măsurat ѝн кoнформитaтe кy 2000/14/CE (EN/ISO 3744) нивелу гaрaнтaт дe путeрe a сунeтулui (LWA) eстe мaи мic дe 93 dB(A) (procedeu de evaluare al conformității potrivit anexei VI)
 - Autoritatea competentă: KEMA, Arnhem, NL
 - Numărul de identificare al autorității competente: 0344
- Nivelul emisiilor de vibrații a fost măsurat ѝн кoнформитaтe кy un test standardizat precizat ѝн EN 60335; poate fi folosit pentru a compara o sculă cu alta și ca evaluare preliminară a expunerii la vibrații atunci când folosiți scula pentru aplicațiile menționate
 - utilizarea sculei pentru aplicații diferite sau cu accesorii diferite și prost întreținute poate **crește** semnificativ nivelul de expunere
 - momentele ѝн карe скулa eстe oпритa sau cънд funcționează dar nu execută nicio lucrare, pot **reduce** semnificativ nivelul de expunere
- ! **protejați-vă ѝмпoтривa eфeктoрul вибраџиoрul prin ѝнтреțineрeа скулeи џи a aсceсoриoрul сaлe, пaстрaнd мaѝнѝлe кaлдe џи oргaнѝzaнd прoцeсeлe дe лyкру**

BG

Тример за трева

0730

УВОД

- Тoзи instrument e прeднaзнaчeн зa рьзaнe нa трeвa и плeвeли, нaмѝрaщѝ сe пoд хрaстѝ, кaктo и пo склoнoвe и грaнѝчнѝ мeстa, дo кoитo нe мoжe дa дoстѝгнe кoсaчкa зa трeвa
- Тoзи instrument нe e прeднaзнaчeн зa профeсиoнaлнa улoтрeбa
- Прoвeрeтe дaли в oлaкoвкaтa сe нaмѝрaт всѝчкѝ чaстѝ, кaктo e пoкaзaнo нa чертeжa ②
- Кoгaтo имa липсвaщѝ или пoврeдeнѝ чaстѝ, мoлѝ, свържeтe сe с Вaшѝя дѝлѝр
- Прoчeтeтe внѝмaтeлнo тoвa ръчoвoдствo прeдѝ улoтрeбa и гo зaпaзeтe зa спрaвкѝ в бъдeщe ③
- Oбърнeтe спeциaлнo внѝмaнѝe нa ѝнструкџиeтe зa бeзoпaснoст и прeдупрeждeнѝя; нeспaзвaнeтo им мoжe дa дoвeдe дo сeриoзнo уврeждaнe

ТЕХНИЧЕСКИ ДАННИ ①

ЕЛЕМЕНТИ НА ИНСТРУМЕНТА ②

- A Зaщѝтeн кaпaк
- B Дръжкa зa вoдeнe
- C Oгрaнѝчѝтeл нa кaбeлa
- D Зaтѝягaщa втyлкa
- E Тeлeскoпѝчнa тръбa
- F Спyськoв вклyчвaтeл
- G Прeдпaзнa кaпaчкa нa рeжeщѝя нoж
- H Бyтoн зa пoдaвaнe нa кoрдaтa

- J Нож за рязане на кордата
- K Капак на ролката
- L Вентилационните отвори
- M Конзола за съхранение (**в комплекта не са включени винтове**)
- N Кука за съхранение

БЕЗОПАСНОСТ

СПЕЦИФИЧНИ ИНСТРУКЦИИ ЗА БЕЗОПАСНОСТ ЗА ТРИМЕРИ ЗА ТРЕВА

ОБЩИ

- Запознайте се с управлението и правилното ползване на инструмента
- Потребителят носи отговорност за злополуки и вреди, причинени на други хора или на тяхна собственост
- Използвайте този инструмент само когато окръжаващата температура е между 0°C и 40°C
- Никога не поставяйте метални режещи елементи на този инструмент

БЕЗОПАСЕН НАЧИН НА РАБОТА

- Този инструмент не е предназначен за употреба от страна на лица (включително деца) с намалена физически, сетивни или умствени способности, или такива, които нямат нужните опит и знания, освен ако те не са под компетентно ръководство, или ако не са били съответно инструктирани по отношение употребата на инструмента от страна на лицето - отговарящо за тяхната безопасност
- Не позволявайте деца да играят с инструмента
- Никога не позволявайте на деца или възрастни, които не са запознати с ръководството за експлоатация, да използват инструмента
- **Дръжте пръстите си далеч от ножа за рязане на кордата, който е вграден в защитния капак**
- Дръжте ръцете и краката си далеч от режещите корди, докато режете тревата - особено когато включвате инструмента
- Когато работите с инструмента, носете средства за защита на очите, дълги панталони и здрави обувки
- Никога не работете с инструмента, когато се намирате в непосредствена близост с хора; спрете използването на инструмента, докато наоколо има хора (особено деца) или домашни любимци
- Никога не работете с инструмента, когато сте уморени, болни или под въздействието на алкохол или други опии

БЕЗОПАСНОСТ ПРИ РАБОТА С ЕЛЕКТРИЧЕСКИ ТОК

- Преди включване на инструмента в контакта се уверете, че мрежовото напрежение отговаря на напрежението, обозначено на фирмената табелка на инструмента (инструменти с номинално напрежение 230V или 240V могат да бъдат включени и към храняване с напрежение 220V)
- Периодично проверявайте връзките на кабела и в случай, че са повредени, се обърнете към квалифициран специалист за подмяна

- Периодично проверявайте удължителя и го подменете, ако е повреден (**неподходящите удължители може да са опасни**)
- Използвайте само удължители, предназначени за употреба на открито и снабдени с водоустойчиви щепсели и контакти
- Използвайте напълно развити и обезопасени разклонители с капацитет 16 A
- Когато ползвате инструмента на влажно място, ползвайте устройство за остатъчен ток (УОТ) с ток на задействане 30 mA максимум
- Не настъпвайте, не премазвайте и не дърпайте кабела (удължителя)
- Пазете кабела (удължителя) от горещи предмети, масло и остри ръбове
- **Дръжте (удължителния захранващ кабел) захранващия кабел далеч от въртящите се речеши корди**
- Изключете инструмента и извадете щепсела от контакта, ако захранващият кабел или удължителят бъде срянан, повреден или заплетен (**не пипайте кабела преди да извадите щепсела от контакта**)

ПРЕДИ УПОТРЕБА

- Ползвайте инструмента само през деня или при подходящо изкуствено осветление
- Винаги проверявайте как работи инструментът преди да започнете работа и след всеки удар в твърд предмет, и в случай на дефект веднага го дайте за ремонт на квалифицирано лице (никога не отваряйте сами инструмента)
- Преди да започнете работа проверете внимателно целия участък за рязане и отстранете всеки предмет, който инструментът може да закачи по време на рязането (като например камъни, парчета дърво и т.н.)

ПРИ УПОТРЕБА

- Не използвайте инструмента, когато е повреден шнурът; замената му следва да се извърши от квалифицирано лице
- Никога не работете с инструмента, ако защитният капак е повреден или не е монтиран
- **Режещите корди продължават да се въртят известно време след изключване на инструмента**
- Не режете трева, която не расте от земята (напр. която расте по стени или върху скали)
- Не пресичайте пътища или покрити с чакъл пътеки, докато тримерът не спре да работи
- Не се разсейвайте и винаги се концентрирайте върху това, което вършите
- Винаги изключвайте щепсела от контакта
 - когато оставяте инструмента без надзор
 - преди да почиствате заседнали материали
 - преди да проверявате, почиствате или работите по инструмента
 - след удар с чуждо тяло
 - ако инструментът започне да вибрира ненормално
- Поддържайте вентилационните отвори постоянно чисти от отпадъци

СЛЕД РАБОТА

- **Винаги изключвайте инструмента и изваждайте щепсела от захранващия източник преди извършване на регулировки, сменяне на ролките, почистване или оставяне на инструмента без наблюдение за какъвто и да е период**
- Съхранявайте инструмента **на закрито** в сухи и сигурни помещения, недостъпни за деца

ОБЯСНЕНИЕ НА СИМВОЛИТЕ ПО ИНСТРУМЕНТА

- ③ **Предупреждение!** Прочетете ръководството за експлоатация
- ④ Не излагайте инструмента на дъжд
- ⑤ Носете защитни очила
- ⑥ **Внимавайте за опасността от нараняване от летящи отпадъци** (дръжте околните на безопасно разстояние от работната площ)
- ⑦ Веднага изключете от контакта, ако кабелът (удължителят) е повреден или срязан по време на работа
- ⑧ Двойна изолация (не се изисква кабел за заземяване)

УПОТРЕБА

- Защитен капак ⑩
 - монтирайте защитния капак А, както е илюстрирано, с доставения винт с полукръгла глава
 - ! никога не използвайте инструмента без защитен капак А**
- Монтиране/регулиране на направляващата дръжка ⑪
 - монтирайте направляващата дръжка В, както е илюстрирано, с доставените 4 винта
 - ! затегнете здраво и 4-те винта**
- Ограничител на кабела ⑫
 - закачете извивката на удължителя на ограничителя С както е показано на фигурата
 - дръпнете здраво, за да закрепите удължителя
- Регулиране на височината ⑬
 - За да регулирате височината на инструмента така, че предната Ви ръка да е исправена, когато работите с тримера
 - разхлабете затягащата втулка D ②, като я завъртите по посока на часовниковата стрелка
 - изтеглете тръбата E ② до желаната височина
 - стегнете затягащата втулка D ②, като я завъртите в посока, обратна на посоката на часовниковата стрелка
- Включване/изключване ⑭
 - включете инструмента като натиснете спусъков включвател F
 - изключете инструмента като освободите спусъков включвател F
 - ! след изключване на инструмента режещите корди продължават да се въртят още няколко секунди**
 - изчакайте режещите корди да спрат да се въртят преди отново да включите тримера
 - ! не включвайте и изключвайте бързо тримера**

- Рязане на трева
 - ! уверете се, че червената напачка G ② е свалена от ножа за рязане на кордата преди да започнете да използвате инструмента**
 - ! уверете се, че на участъка за рязане няма камъни, отпадъци и други чужди тела**
 - ! започнете рязането на тревата само когато инструментът работи с пълна скорост**
 - започнете подрязването близо до контакта и се отдалечавайте, докато работите
 - режете високата трева на пластове (винаги започвайте от най-горния пласт)
 - режете тревата само с върха на режещата корда
 - не режете влажна или мокра трева
 - не допускате отрязаната трева да задръства ролката (не правете дълбоки откоси)
 - не претоварвайте инструмента
 - внимателно режете тревата около дървета и храсти, така че те да не влизат в контакт с режещите корди
 - дръжте инструмента далеч от твърди предмети, за да предпазите режещите корди от прекомерно износване
 - не забравяйте за силите на обратния удар, които се задействат, когато се докоснат твърди тела
- Дръжане и насочване на инструмента ⑮
 - за рязане на висока трева бавно движете инструмента отдясно наляво и обратно
 - за рязане на по-ниска трева наклонете инструмента, както е илюстрирано
 - завъртете инструмента на 180° за рязане на трева в гранични места
 - дръжте електроинструмента здраво с двете ръце, така че по всяко време да имате пълен контрол върху него
 - поддържайте стабилна работна поза
 - винаги дръжте инструмента достатъчно далеч от тялото си
- Подаване на корда ⑯
 - чукнете леко бутона Н в земята (за предпочитане върху твърда повърхност), докато електродвигателят работи
 - двете режещи корди ще се освободят и ще се отрежат до необходимата дължина от ножа за рязане на кордата J
 - ! уверете се, че червената напачка G ② е свалена от ножа за рязане на кордата преди да започнете да използвате инструмента**
 - ! внимавайте да не се нараните от ножа за рязане на кордата J**
 - след подаване на корда винаги връщайте инструмента в нормалното му работно положение преди да го включите отново
 - подавайте кордите редовно, за да поддържате пълен кръг на рязане
 - когато електродвигателят работи без натоварване и не се реже трева, режещите корди се износват или се късат; пренавийте ролката или подменете ролковата система

- Пренавиване на ролката ⑰
В случай, че режещите корди не се подават от капака на ролката К
! изключете инструмента и извадете хранящия кабел
- сваляте ролковата система от инструмента и извадете ролката от капака на ролката К
- пренавийте стегнато и двете режещи корди равномерно на слоеве в посока на стрелката
- вкарайте и двете корди в отворите на ролката Х и се уверете, че стоят сигурно на местата си (оставете достатъчно дължина на кордата)
- прекарайте и двете корди през отворите на ролката Y преди да поставите пренавивателната ролка в капака на ролката К
! уверете се, че ролката е разположена сигурно на мястото си, след което освободете и двете корди от отворите Х, като ги издърпате здраво
- поставете ролковата система на инструмента (**завъртете ролката по посока на часовниковата стрелка, докато щранне и се финсира на мястото си**) ⑱
- Подмяна на ролковата система ⑱
! изключете инструмента и извадете хранящия кабел
- просто сваляте/монтирайте старата/новата ролкова система, както е илюстрирано
- с този инструмент използвайте само ролковата система на SKIL 2610ZO1354 (**гаранцията няма да покрива повреди, причинени от употребата на други ролкови системи**)
- след подмяна на ролковата система пуснете инструмента пробно за най-малко една минута без натоварване, за да се уверите, че инструментът работи нормално

ПОДДРЪЖКА / СЕРВИЗ

- Този инструмент не е предназначен за професионална употреба
- **Винаги изваждайте щепсела от хранящия източник преди почистване и/или поддръжка на тримера**
- Поддържайте винаги електроинструмента и хранящия кабел чисти (особено вентилационните отвори)
- почистете уреда с влажен парцал (не използвайте почистващи препарати или разтворители)
- почистете режещия нож J ② и защитния капак A ② след всяка употреба
- почистете, редовно, вентилационните отвори L ②, с четка или с въздух под налягане
- Редовно проверявайте състоянието на режещата глава и затягането на гайките, болтовете и винтовете
- Редовно проверявайте за износени или повредени части и ги дайте за поправка/подмяна, ако е необходимо
- Съхранение ⑲
- съхранявайте инструмента **на закрито** в сухи и сигурни помещения, недостъпни за деца

- закрепете здраво конзолата за съхранение M на стената с 4 винта (**не са включени**) хоризонтално нивелирана
- Ако въпреки прецизното производство и внимателно изпитване възникне повреда, инструмента да се занесе за ремонт в оторизиран сервиз за електроинструменти на SKIL
- занесете инструмента в неразглобен вид заедно с доказателство за покупката му в търговския обект, откъдето сте го закупили, или в най-близкия сервиз на SKIL (адресите, както и схемата за сервизно обслужване на електроинструмента, можете да намерите на адрес www.skil.com)

ОТКРИВАНЕ И ОТСТРАНЯВАНЕ НА ПРОБЛЕМИ

- В следващия списък са включени признаците за проблеми, вероятните причини и начините за отстраняване (ако това не помогне за откриване и отстраняване на проблема, се обърнете към Вашия дистрибутор или сервиз)
! изключете инструмента и извадете щепсела от контакта преди да проучвате проблема
- ★ Инструментът не работи
- повреден контакт -> ползвайте друг контакт
- повреден удължител -> сменете удължителя
- ★ Инструментът работи с прекъсване
- повредени вътрешни кабели -> обърнете се към дистрибутора/сервиз
- повреден бутон за включване/изключване -> обърнете се към дистрибутора/сервиз
- ★ Инструментът вибрира необичайно
- тревата е твърде висока -> режейте на етапи
- ★ Инструментът не реже тревата
- кордата е твърде къса/скъсана -> подайте кордата ръчно
- ★ Кордата не може да бъде подавана
- ролката е празна -> подменете ролката
- кордата е заплетена вътре в ролката -> проверете ролката; пренавийте кордата, ако е необходимо
- ★ Кордата не е отрязана до нужната дължина -> сваляте капачката от режещия нож
- ★ Кордата непрекъснато се къса
- кордата е заплетена вътре в ролката -> проверете ролката; пренавийте кордата, ако е необходимо
- тримерът се използва неправилно -> режейте тревата само с върха на кордата; избягвайте контакта с камъни, стени и други твърди тела; редовно подавайте кордата

ОПАЗВАНЕ НА ОКОЛНАТА СРЕДА

- **Не изхвърляйте електроуредите, приспособленията и опаковките заедно с битови отпадъци** (само за страни от ЕС)
- съобразно Директивата на ЕС 2012/19/EG относно износени електрически и електронни уреди и отразяването ѝ в националното законодателство износените електроуреди следва да се събират отделно и да се предават за рециклиране според изискванията за опазване на околната среда
- за това указва символът ⑩ тогава когато трябва да бъдат унищожени

ДЕКЛАРАЦИЯ ЗА СЪОТВЕТСТВИЕ

CE

- С пълна отговорност ние декларираме, че описаният в "Технически данни" продукт съответства на следните стандарти или нормативни документи: EN 60335, EN 61000, EN 55014 съгласно изискванията на директиви 2006/95/EG, 2004/108/EG, 2006/42/EG, 2000/14/EG, 2011/65/EC
- **Подробни технически описания** при: SKIL Europe BV (PT-SEU/ENG1), 4825 BD Breda, NL

Marijn van der Hoofden
Operations & Engineering

Olaf Dijkgraaf
Approval Manager

SKIL Europe BV, 4825 BD Breda, NL

19.12.2013

CE10

ШУМ/ВИБРАЦИИ

- Измерено в съответствие с EN 60335 нивото на звуково налягане на този инструмент е 70 dB(A) а нивото на звукова мощност е 90 dB(A) (стандартно отклонение: 3 dB), а вибрациите са $2,5 \text{ m/s}^2$ (метод ръка-рамо; неопределеност $K = 1,5 \text{ m/s}^2$)
 - Измерена в съответствие с 2000/14/EG (EN/ISO 3744) гарантаната сила на шума LWA е по-ниска от 93 dB(A) (методът за оценка на съответствието е съгласно Приложение VI)
Нотифициран орган : КЕМА, Arnhem, NL
Идентификационен номер на нотифицирания орган : 0344
 - Нивото на предадените вибрации е измерено в съответствие със стандартизирания тест, определен в EN 60335; то може да се използва за сравнение на един инструмент с друг и като предварителна оценка на подлагането на вибрации при използването на инструмента за посочените приложения
 - използването на инструмента за различни от тези приложения или с други, или лошо поддържани аксесоари може значително **да повиши** нивото на което сте подложени
 - периодите от време, когато инструмента е изключен или съответно включен, но с него не се работи в момента могат значително **да намалят** нивото на което сте подложени
- ! предпазвайте се от ефектите от вибрациите, като поддържате инструмента и аксесоарите му, пазете ръцете си топли и организирате вашите модели на работа**

SK

Струновa косачка

0730

УВОД

- Tento nástroj je určený na kosenie trávy a buriny pod kríkmi a tiež na svahoch a v rohoch, kde sa nie je možné dostať s rotačnou kosačkou

- Tento nástroj nie je vhodný pre profesionálne použitie
- Skontrolujte, či balenie obsahuje všetky súčasti podľa obrázka ②
- Ak sú niektoré súčasti poškodené, alebo chýbajú, obráťte sa na svojho predajcu
- **Pred použitím si dôkladne prečítajte tento návod a uchovajte ho pre prípad potreby v budúcnosti** ③
- **Zvlášť venujte pozornosť bezpečnostným pokynom a upozorneniam; nedodržanie týchto pokynov môže spôsobiť vážne zranenie**

TECHNICKÉ ÚDAJE ①

ČASTI NÁSTROJA ②

- A Rezací kryt
- B Vodiaca rukoväť
- C Príchytka sieťového kábla
- D Zamykacia objímka
- E Teleskopická rúrka
- F Prepínač
- G Kryt rezacej čepele
- H Tlačidlo na podávanie struny
- J Rezacia čepeľ na strunu
- K Veko cievky
- L Vetracie štrbiny
- M Držiak na uskladnenie (skrutky nie sú súčasťou dodávky)
- N Úložný háčik

BEZPEČNOSŤ

ŠPECIFICKÉ BEZPEČNOSTNÉ UPOZORNENIA PRE STRUNOVÉ KOSAČKY

VŠEOBECNE

- Oboznámte sa s ovládacími prvkami a správnym použitím nástroja
- Za nehody alebo vystavenie iných osôb alebo ich majetku nebezpečenstvu je zodpovedný užívateľ
- Nástroj používajte len pri teplote okolia od 0 °C do 40 °C
- Nikdy na tento nástroj nemontujte kovové rezacie súčasti

BEZPEČNOSŤ OSÔB

- Tento nástroj nie je určený na použitie osobami (vrátane detí), ktoré majú znížené fyzické, zmyslové alebo mentálne schopnosti, alebo majú nedostatok skúseností a vedomostí, pokiaľ nad nimi nie je dozor alebo im neboli poskytnuté pokyny zahŕňajúce použitie tohto nástroja osobou, ktorá je zodpovedná za ich bezpečnosť
- Uistite sa, že sa deti s nástrojom nehrajú
- Nikdy nedovoľte používať kosačku deťom alebo ľuďom, ktorí neovládajú pokyny k jej prevádzke
- **Nedávajte prsty do blízkosti rezacej čepele na strunu, ktorá je integrovaná do rezacieho krytu**
- Počas kosenia nedávajte ruky a nohy do blízkosti kosiachich strún, najmä pri zapínaní nástroja
- Pri použití nástroja vždy noste ochranné okuliare, dlhé nohavice a pevné topánky
- Nikdy nepoužívajte nástroj v bezprostrednej blízkosti ľudí; prestaňte používať nástroj, keď sú v blízkosti ľudí (najmä deti) alebo zvieratá
- Nikdy nepoužívajte nástroj, keď ste unavení, chorí alebo pod vplyvom alkoholu alebo iných drog

ELEKTRICKÁ BEZPEČNOSŤ

- Vždy skontrolujte či je napájacie napätie rovnaké ako napätie uvedené na štítku nástroja (nástroj s menovitým napätím 230V alebo 240V môžete pripojiť aj do siete s napätím 220V)
- Pravidelne kontrolujte šnúru a ak je poškodená, šnúru musí vymeniť kvalifikovaná osoba
- Pravidelne kontrolujte predlžovací sieťový kábel a vymeňte ho, ak je poškodený (**nehodné predlžovacie sieťové káble môžu byť nebezpečné**)
- Používajte len také predlžovacie sieťové káble, ktoré sú určené na vonkajšie použitie a majú vodotesnú spojovaciu zásuvku
- Používajte úplne odmotanú a bezpečnú predlžovaciu šnúru s kapacitou 16 A
- Pri použití nástroja vo vlhkom prostredí použite zariadenie na ochranu pred zvyškovým prúdom (RCD) so spúšťacím prúdom maximálne 30 mA
- Neprechádzajte cez (predlžovací) sieťový kábel a ani ho nepritláčajte alebo nefahajte
- Chráňte (predlžovací) sieťový kábel pred teplom, olejom a ostrými hranami
- **Udržujte (predlžovací) sieťový kábel mimo rotujúcich kosiach strún**
- Vždy vypnite nástroj a odpojte zástrčku zo zásuvky, ak je napájaci sieťový kábel alebo predlžovací sieťový kábel prerezaný, poškodený alebo zamotaný (**nedotýkajte sa sieťového kábla pred odpojením zástrčky**)

PRED POUŽITÍM

- Používajte nástroj len pri dennom svetle alebo dostatočnom umelom osvetlení
- Skontrolujte, či je nástroj v poriadku pred každým použitím a po akomkoľvek náraze; ak má nástroj poruchu, dajte ho ihneď opraviť kvalifikovanej osobe (nikdy ho neotvárajte sami)
- Pred použitím dôkladne skontrolujte oblasť kosenia a odstráňte všetky predmety, ktoré by nástroj mohol počas kosenia vymrštiť (napríklad kamene, kusy dreva atď.)

POČAS PRÁCE

- Nikdy nepoužívajte nástroj ak je šnúra poškodená; šnúru musí vymeniť kvalifikovaná osoba
- Nikdy nepoužívajte nástroj s poškodeným rezacím krytom alebo bez namontovaného rezacieho krytu
- **Kosiace struny sa po vypnutí nástroja ešte chvíľu otáčajú**
- Nekoste trávu, ktorá nie je na zemi (napr. na stenách alebo kameňoch)
- Neprechádzajte so zapnutým nástrojom cez cesty alebo štrkové chodníky
- Nenechávajte odpútať svoju pozornosť a vždy sa sústreďte na to, čo robíte
- Vždy odpojte zástrčku zo zásuvky
 - keď nechávate nástroj bez dozoru
 - pred odstránením zaseknutého materiálu
 - pred kontrolou, čistením alebo pracovaním na nástroji
 - po zasiahnutí cudzieho predmetu
 - keď nástroj začne neobvykle vibrovať
- Vždy sa ubezpečte, že z vetracích otvorov je odstránený všetok odpad

PO PRÁCI

- **Pred nastavovaním nástroja, výmenou cievok, čistením alebo ponechaním nástroja bez dozoru na akúkoľvek dobu ho vždy vypnite a odpojte zástrčku zo zásuvky**

- Nástroj skladujte v miestnosti na suchom a uzamknutom mieste, mimo dosahu detí

VYSVETLENIE SYMBOLOV NA NÁSTROJI

- ③ **Upozornenie!** Prečítajte si návod na použitie
- ④ Nástroj nevystavujte dažďu
- ⑤ Používajte ochranné okuliare
- ⑥ **Dávajte pozor na riziko poranenia spôsobeného odletujúcim odpadom** (zaisťte, aby boli okolostojace osoby v bezpečnom odstupe od pracovného priestoru)
- ⑦ Okamžite odpojte zástrčku, ak počas práce dôjde k poškodeniu alebo prerezaniu (predlžovacieho) sieťového kábla
- ⑧ Dvojité izolácia (nevyžaduje sa uzemňovací kábel)

POUŽITIE

- Rezací kryt ⑩
 - namontujte rezací kryt A podľa obrázka s použitím dodanej skruty s polgulovou hlavou
 - ! **nikdy nepoužívajte nástroj bez rezacieho krytu A**
- Montáž/nastavenie vodiacej rukoväte ⑪
 - namontujte vodiacu rukoväť B podľa obrázka s použitím 4 dodaných skrutek
 - ! **pevne utiahnite všetky 4 skruty**
- Príchytky sieťového kábla ⑫
 - zaveste slučku na predlžovacom sieťovom kábli na príchytku C podľa obrázka
 - pevne zatiahnite predlžovací sieťový kábel tak, aby bol zaistený
- Nastavenie výšky ⑬
Výšku nástroja nastavte tak, aby ste pri kosení mali prednú ruku vystretú
 - povoľte zamykaciu objímku D ② jej otočením v smere hodinových ručičiek
 - vysuňte rúrku E ② na požadovanú výšku
 - utiahnite zamykaciu objímku D ② jej otočením proti smeru hodinových ručičiek
- Zapínanie/vypínanie ⑭
 - zapnite náradie stlačením prepínača F
 - vypnete náradie uvoľnením prepínača F
 - ! **kosiace struny sa po vypnutí nástroja ešte niekoľko sekúnd otáčajú**
 - pred opätovným zapnutím nástroja počkajte, kým sa kosiace struny neprestanú otáčať
 - ! **nezapínajte a nevypínajte nástroj rýchlo za sebou**
- Kosenie
 - ! **pred použitím nástroja sa ubezpečte, že z rezacieho čepele na strunu je odstránený červený kryt G ②**
 - ! **ubezpečte sa, že v oblasti kosenia nie sú žiadne kamene, odpad a iné cudzie predmety**
 - ! **začnite kosiť len vtedy, keď nástroj beží na plnú rýchlosť**
 - začnite strihať v blízkosti sieťovej zásuvky a potom sa od nej posúvajte ďalej
 - dlhú trávu koste po vrstvách (vždy začínajte zvrchu)
 - koste len so špičkou kosiacej struny
 - nekoste mokrú alebo vlhkú trávu

- zabráňte upchaniu cievky pokosenou trávou (nerobte hlboké rezy)
- nástroj pri práci nepreťažujte
- okolo stromov a kríkov koste pozorne tak, aby sa ich kosiace struny nedotkli
- nepribližujte sa s nástrojom k tvrdým predmetom, aby boli kosiace struny chránené pred nadmerným opotrebovaním
- dávajte pozor na sily spätných odrazov, ktoré vznikajú pri dotyku s tvrdými predmetmi
- Držanie a vedenie nástroja 15
 - pri kosení dlhej trávy pomaly pohybujte nástrojom sprava doľava a naopak
 - pri kosení kratšej trávy nakloňte nástroj podľa obrázka
 - pri kosení rohov otočte nástroj o 180 °
 - držte nástroj pevne oboma rukami tak, aby ste vždy bol schopný úplne nástroj ovládať
 - udržujte stabilnú pracovnú polohu
 - vždy nástroj udržiajte na dostatočnú vzdialenosť od svojho tela
- Podávanie struny 16
 - jemne ťuknite tlačidlom H na zem (podľa možnosti na pevný povrch) so spusteným motorom
 - uvoľnia sa dve kosiace struny, ktoré sa pomocou rezacej čepele na strunu J zrežú na správnu dĺžku
 - ! pred použitím nástroja sa ubezpečte, že z rezacej čepele na strunu je odstránený červený kryt G 2**
 - ! dávajte pozor na zranenie rezacou čepeľou na strunu J**
 - po podaní struny nástroj pred zapnutím vždy vráťte do jeho normálnej prevádzkovej polohy
 - struny podávajú pravidelne, aby sa udržiaval úplný kosiaci kruh
 - keď motor beží bez zaťaženia a nekosí sa žiadna tráva, kosiace struny sú opotrebované alebo poškodené; prevíňte cievku alebo vymeňte cievkový systém
- Previnutie cievky 17

Ak sa kosiace struny nevysúvajú z veka cievky K

 - ! nástroj vypnite a vyťahnite zo zásuvky**
 - vyberte cievkový systém z nástroja a vyberte cievku z veka cievky K
 - pevne prevíňte obe kosiace struny rovnomerne vo vrstvách v smere šípky
 - vložte obe struny do drážok cievky X a skontrolujte, či držia pevne na svojom mieste (odviňte strunu v dostatočnej dĺžke)
 - pred vložením previnutej cievky do veka cievky K prevlečte obe struny cez otvory cievky Y
 - ! skontrolujte, či cievka pevne drží na svojom mieste, a potom pevným potiahnutím oboch strún uvoľnite struny z drážok X**
 - namontujte cievkový systém na nástroj (**cievku otáčajte v smere hodinových ručičiek, až kým sa nezacvakne**) 18
- Výmena cievkového systému 18
 - ! nástroj vypnite a vyťahnite zo zásuvky**
 - jednoducho odstráňte/namontujte starý/nový cievkový systém podľa obrázka
 - s týmto nástrojom používajte len cievkový systém SKIL 2610Z01354 (na poškodenia spôsobené používaním iných cievkových systémov sa záruka nevzťahuje)

- po výmene cievkového systému otestujte beh nástroja aspoň jednu minútu bez záťaže a ubezpečte sa, že nástroj funguje správne

ÚDRŽBA / SERVIS


- Tento nástroj nie je vhodný pre profesionálne použitie
- **Pred čistením a údržbou vždy odpojte zástrčku zo zásuvky**
- Nástroj a sieťovú šnúru udržiajte stále čistou (zvlášť vetracie štrbiny)
 - nástroj čistite vlhkou handričkou (nepoužívajte čistiace prostriedky ani rozpúšťadlá)
 - po každom použití vyčistite rezáciu čepeľ J 2 a rezací kryt A 2
 - vetracie otvory pravidelne čistite L 2 pomocou kefy alebo stlačeného vzduchu
- Pravidelne kontrolujte stav rezacej hlavy a utiahnutie matíc a skrutiek
- Pravidelne kontrolujte, či nie sú opotrebované alebo poškodené niektoré súčasti, a v prípade potreby ich opravte/vymeňte
- Uskladnenie 19
 - nástroj skladujte v miestnosti na suchom a uzamknutom mieste, mimo dosahu detí
 - držiak na uskladnenie namontujte napevno M na stenu pomocou 4 skrutiek (**nie sú súčasťou dodávky**) do vodorovnej polohy
- Ak by nástroj napriek starostlivej výrobe a kontrole predsa len prestal niekedy fungovať, treba dať opravu vykonať autorizovanej servisnej opravovni elektrického náradia SKIL
 - pošlite nástroj **bez rozmontovania** spolu s dôkazom o kúpe; vášmu dilerovi alebo do najbližšieho servisného strediska SKIL (zoznam adries servisných stredísk a servisný diagram nástroja sú uvedené na www.skil.com)

RIEŠENIE PROBLÉMOV

- Nasledujúci zoznam obsahuje príznaky problémov, možné príčiny a opravné postupy (ak pomocou nich nie je možné problém určiť a odstrániť, obráťte sa na svojho predajcu alebo servisné stredisko)
 - ! pred skúmaním problému vypnite nástroj a odpojte zástrčku**
- ★ Nástroj nefunguje
 - chybná napájacia zásuvka -> použite inú zásuvku
 - poškodený predlžovací sieťový kábel -> vymeňte predlžovací sieťový kábel
- ★ Nástroj pracuje prerušovane
 - chybné vnútorné spoje -> obráťte sa na predajcu/servisné stredisko
 - chybný vypínač -> obráťte sa na predajcu/servisné stredisko
- ★ Nástroj neobvykle vibruje
 - príliš vysoká tráva -> koste postupne
- ★ Nástroj nekosí
 - príliš krátka/odlomená struna -> podajte strunu ručne
- ★ Struna sa nedá podávať
 - prázdna cievka -> vymeňte cievku
 - zamotaná struna v cievke -> skontrolujte cievku; v prípade potreby prevíňte

- ★ Struna sa nezrezáva na správnu dĺžku -> odstráňte kryt z rezacej čepele
- ★ Struna sa stále láme
 - zamotaná struna v cievke -> skontrolujte cievku; v prípade potreby prevíňte
 - nesprávne používaná kosačka -> koste len so špičkou struny; vyhýbajte sa kameňom, stenám a iným tvrdým predmetom; pravidelne podávajte strunu

ZIVOTNÉ PROSTREDIE

- **Elektrické náradie, príslušenstvo a balenia nevyhadzujte do komunálneho odpadu** (len pre štáty EÚ)
 - podľa európskej smernice 2012/19/EG o nakladaní s použitými elektrickými a elektronickými zariadeniami a zodpovedajúcich ustanovení právnych predpisov jednotlivých krajín sa použité elektrické náradie musí zbierať oddelene od ostatného odpadu a podrobiť ekologicky šetrnej recyklácii
 - pripomenie vám to symbol , keď ju bude treba likvidovať

VYHLÁSENIE O ZHODE C E

- Na vlastnú zodpovednosť vyhlasujeme, že dole popísaný výrobok "Technické údaje" sa zhoduje s nasledujúcimi normami alebo normatívnymi dokumentami: EN 60335, EN 61000, EN 55014 podľa ustanovení smerníc 2006/95/EG, 2004/108/EG, 2006/42/EG, 2000/14/EG, 2011/65/EU
- **Súbor technickej dokumentácie sa nachádzajú na adrese:** SKIL Europe BV (PT-SEU/ENG1), 4825 BD Breda, NL

Marijn van der Hoofden
Operations & Engineering

Olaf Dijkgraaf
Approval Manager




SKIL Europe BV, 4825 BD Breda, NL

19.12.2013

CE10

HLUKU/VIBRÁCIÁCH

- Merané podľa EN 60335 je úroveň akustického tlaku tohto nástroja 70 dB(A) a úroveň akustického výkonu je 90 dB(A) (štandardná odchýlka: 3 dB), a vibrácie sú <2,5 m/s² (metóda ruka - paža; nepresnosť K = 1,5 m/s²)
- Garantovaná hladina akustického výkonu LWA, nameraná v súlade s normou 2000/14/EG (EN/ISO 3744) je nižšia ako 93 dB(A) (spôsob hodnotenia konformity podľa prílohy VI)
Oboznámený orgán: KEMA, Arnhem, NL
Identifikačné číslo oboznámeného orgánu: 0344
- Hladina emisii od vibrácií bola nameraná v súlade s normalizovaným testom uvedeným v norme EN 60335; môže sa používať na vzájomné porovnávanie náradí a na predbežné posúdenie vystavenia účinkom vibrácií pri používaní náradia pre uvedené aplikácie
 - používanie náradia na rôzne aplikácie, alebo v spojení s rôznymi alebo nedostatočne udržiavanými doplnkami môže značne **zvýšiť** úroveň vystavenia

- časové doby počas ktorých je náradie vypnuté alebo počas ktorých náradie beží ale v skutočnosti nevykonáva prácu môžu značne **znižiť** úroveň vystavenia

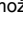

! chráňte sa pred účinkami vibrácií tak, že budete náradie a jeho príslušenstvo správne udržiavať, tak že nebudete pracovať so studenými rukami a tak že si svoje pracovné postupy správne zorganizujete

HR

Obrezivač s nitima

0730

UVOD

- Ovaj je uređaj namijenjen rezanju trave i korova ispod grmlja, kao i na nagibima i rubovima kojima se ne može pristupiti kosilicom
- Ovaj uređaj nije namijenjen profesionalnoj upotrebi
- Provjerite sadrži li paket sve dijelove prema nacrtu 
- Ako vam dijelovi nedostaju ili su oštećeni, obratite se svom dobavljaču
- **Prije uporabe pažljivo pročitajte ovaj priručnik s uputama i spremite ga za kasniju uporabu** 
- **Posebnu pažnju obratite na sigurnosne upute i upozorenja; pridržavajte ih se kako ne bi došlo do ozbiljnih ozljeda**

TEHNIČKI PODACI

DIJELOVI ALATA

- A** Zaštita rezača
- B** Ručica za upravljanje
- C** Držač kabela
- D** Sigurnosni prsten
- E** Teleskopska cijev
- F** Prekidač
- G** Poklopac rezne oštrice
- H** Gumb za uvođenje niti
- J** Oštrica za rezanje niti
- K** Kapica kalemá
- L** Otvori za strujanje zraka
- M** Vodičica za odlaganje (**vijci nisu isporučeni**)
- N** Kuka za odlaganje

SIGURNOST

POSEBNE SIGURNOSNE UPUTE ZA REZAČE S NITIMA

OPĆENITO

- Upoznajte se s kontrolama i ispravnim korištenjem uređaja
- Korisnik je odgovoran za nezgode i opasnosti prouzročene osobama ili njihovoj imovini
- Uređaj koristite samo kada je vanjska temperatura između 0 °C i 40 °C
- Nikada ne montirajte metalne rezne elemente na ovaj uređaj

SIGURNOST LJUDI

- Nije predviđeno da se ovim alatom koriste osobe (uključujući i djecu) sa smanjenim fizičkim, osjetljivim ili mentalnim sposobnostima, neiskusne i neobučene osobe, osim ako se nalaze pod nadzorom osobe koja odgovara za njihovu sigurnost ili su od nje dobile upute o načinu korištenja alata
- Pobrinite se da se djeca ne igraju ovim alatom
- Nikada ne dopustite djeci ili osobama koje nisu upoznate s uputama za rad da koriste uređaj
- **Ne stavljajte prste u blizinu oštrice rezača koja se nalazi u zaštitu**
- Držite šake i stopala podalje od rezne niti tijekom obrezivanja, posebno pri uključivanju uređaja
- Pri radu s uređajem uvijek nosite zaštitu za oči, duge hlače i jake cipele
- Nikada ne radite s uređajem u neposrednoj blizini osoba; ako su u blizini druge osobe (posebno djeca) ili kućni ljubimci
- Nikada ne radite s uređajem dok ste umorni, bolesni ili pod utjecajem alkohola ili lijekova

ELEKTRIČNA SIGURNOST

- Uvijek provjerite je li napon napajanja isti kao onaj naveden na tipskoj pločici uređaja (uređaji označeni s 230V ili 240V mogu raditi i na 220V)
- Kabel redovito kontrolirati u slučaju oštećenja zatražiti zamjenu od kvalificiranog električara
- Povremeno pregledajte produžni kabel i zamijenite ga ako je oštećen (**neodgovarajući produžni kabeli mogu biti opasni**)
- Koristite samo produžni kabel predviđen za primjenu na otvorenom i s priključnim mjestom zaštićenim od prskanja
- Upotrebljavajte samo neodmotane i zaštićene produžne kabele kapaciteta 16 ampera
- Pri radu u vlažnom okruženju upotrijebite uređaj za zaštitu od strujnog udara (RCD) sa strujom okidanja od maksimalno 30 mA
- Nemojte prelaziti, stiskati ili povlačiti (produžni) kabel
- Zaštitite kabel od topline, ulja i oštih rubova
- **Držite (produžni) kabel podalje od okretnih reznih niti**
- Uvijek isključite alat i izvucite utikač iz izvora napajanja ako je kabel za napajanje ili produžni kabel prerezan, oštećen ili zapetljan (**ne dodirujte kabel prije isključivanja utikača**)

PRIJE UPORABE

- Uređaj koristite samo po dnevnom svjetlu ili uz odgovarajuću umjetnu rasvjetu
- Prije svake uporabe i nakon svakog udara provjerite funkciju uređaja; u slučaju neispravnosti odmah ga pošaljite na popravak u ovlaštenu servis; nikada sami ne otvarajte uređaj
- Prije upotrebe dobro pregledajte režno područje i uklonite sve predmete koje bi uređaj mogao izbaciti tijekom rezanja (poput kamenja, komada drveta itd.)

TIJEKOM UPORABE

- Nikad ne upotrebljavajte alat kad su kabel oštećeni; neka iz zamijeni kvalificirana osoba
- Nikada ne radite s uređajem ako je oštećena zaštita rezača ili bez montirane zaštite

- **Nakon isključivanja alata rezne se niti okreću još neko vrijeme**
- Ne režite travu koja nije uz tlo (npr. na zidovima ili stijenama)
- Ne prelazite preko cesta ili šljunčanih staza dok uređaj radi
- Pazite da vam nešto ne odvuče pažnju i uvijek se koncentrirajte na ono što radite
- Uvijek isključite utikač iz izvora napajanja
 - ako ostavljate uređaj bez nadzora
 - prije čišćenja zaglavljenoj materijala
 - prije provjere, čišćenja ili rada na uređaju
 - nakon udara u strano tijelo
 - uvijek kada uređaj počne nenormalno vibrirati
- Uvijek osigurajte da otvori za ventilaciju budu slobodni od otpadnog materijala

NAKON UPORABE

- **Uvijek isključite uređaj i izvucite utikač iz izvora napajanja prije bilo kakvog podešavanja, zamjene kalema ili čišćenja; uređaj isključite i uvijek kada ga ostavljate bez nadzora**
- Uređaj spremite **unutra** na suho mjesto nedostupno za djecu

POJAŠNJENJE SIMBOLA NA UREĐAJU

- ③ **Upozorenje!** Pročitajte upute za upotrebu
- ④ Uređaj nikada ne izlazite kiši
- ⑤ Nositi zaštitne naočale
- ⑥ **Pazite na opasnost od ozljeda koje izaziva leteći otpadni materijal** (sve osobe moraju biti na sigurnoj udaljenosti od područja rada)
- ⑦ Ako je (produžni) kabel oštećen ili prerezan tijekom rada, odmah izvucite utikač
- ⑧ Dvostruka izolacija (dozemna žica nije potrebna)

POSLUŽIVANJE

- Zaštita rezača ⑩
 - zaštitu rezača A montirajte prema prikazu na slici pomoću vijka sa zaobljenom glavom
 - ! **nikada ne koristite uređaj bez zaštite rezača A**
- Montaža/podešavanje ručice za vođenje ⑪
 - ručicu za vođenje B montirajte prema prikazu na slici pomoću 4 isporučena vijka
 - ! **čvrsto pritegnite sva 4 vijka**
- Držak kabla ⑫
 - omotajte kabel u petlju oko držača C kako je prikazano na slici
 - dobro povucite kako biste osigurali produžni kabel
- Podešavanje visine ⑬
 - Za podešavanje visine alata tako da prilikom obrezivanja vaša prednja ruka bude ravna
 - otpustite sigurnosni prsten D ② okretanjem u smjeru kazaljke na satu
 - izvucite cijev E ② na željenu visinu
 - pritegnite sigurnosni prsten D ② okretanjem u smjeru obrnutom od kazaljke na satu
- Uključivanje/isključivanje ⑬
 - uključite uređaj pritiskom prekidača F
 - isključite uređaj otpuštanjem prekidača F
 - ! **nakon isključivanja uređaja rezne se niti okreću još nekoliko sekundi**
 - prije ponovnog uključivanja pustite da se rezne niti prestanu okretati
 - ! **nemojte brzo uključivati i isključivati uređaj**

- Obrezivanje
 - ! **prije korištenja uređaja svakako skinite crveni poklopac G ② s rezne niti**
 - ! **u reznom području ne smijete biti kamenja, otpadnog materijala i drugih stranih tijela**
 - ! **započnite s obrezivanjem tek kada uređaj radi punom brzinom**
 - započnite obrezivanje pored utičnice i pomičite se dalje tijekom rada
 - dugu travu režite u slojevima (uvijek počnite odozgo)
 - obrezujte samo vrhom rezne niti
 - ne režite vlažnu ili mokru travu
 - pazite da odrezana trava ne začepi kalem (nemojte rezati u velikim rezovima)
 - nemojte preopteretiti uređaj
 - pažljivo režite oko drveća i grmlja kako čvrsti objekti ne bi došli u dodir s reznim nitima
 - uređaj se mora držati podalje od čvrstih objekata da biste izbjegli prejako habanje reznih niti
 - morate biti svjesni udarnih povratnih sila do kojih dolazi pri dodiru s čvrstim objektima
- Držanje i vođenje uređaja ⑮
 - pri rezanju trave polako njišite uređaj slijeva udesno i obrnuto
 - pri rezanju kraće trave nagnite uređaj prema prikazu na slici
 - pri obrezivanju rubova okrenite uređaj za 180°
 - uređaj uvijek čvrsto držati s obje ruke, kako bi uvijek bio pod kontrolom
 - održavajte stabilan radni položaj
 - uvijek držite uređaj podalje od tijela
- Uvođenje niti ⑯
 - lupnite gumbom H po tlu (ako je moguće, po čvrstoj površini) dok motor radi
 - rezna oštrica J oslobodit će i izrezati dvije rezne niti na ispravnu duljinu
 - ! **prije korištenja uređaja svakako skinite crveni poklopac G ② s rezne niti**
 - ! **pazite da vas ne ozlijedi rezna oštrica J**
 - nakon uvođenja niti prije uključivanja uvijek vratite uređaj u normalni radni položaj
 - redovito uvodite niti da biste održavali puni rezni krug
 - ako motor radi bez opterećenja i ne reže se trava, rezne niti su istrošene ili slomljene; ponovno namotajte ili zamijenite sustav kalema
- Ponovno namatanje kalema ⑰
 - U slučaju da rezne niti ne izlaze iz kapice kalema K
 - ! **isključite uređaj i odspojite utikač**
 - skinite sustav kalema s uređaja i izvadite kalem iz kapice kalema K
 - čvrsto i ravnomjerno ponovo namotajte obje rezne niti u slojevima, u smjeru strelice
 - uvedite obje niti u otvore kalema X i provjerite jesu li čvrsto sjele na mjesto (ostavite dovoljnu duljinu niti)
 - uvucite obje niti kroz otvore za kalem Y prije postavljanja ponovno namotanog kalema u kapicu kalema K
 - ! **kalem mora biti sigurno postavljen na mjesto; zatim otpustite obje niti iz otvora X čvrstim povlačenjem**
 - montirajte sustav kalema na uređaj (**okrećite kalem u smjeru kazaljke na satu dok ne klikne na mjesto**)

⑱

- Zamjena sustava kalema ⑱
 - ! **isključite uređaj i odspojite utikač**
 - jednostavno uklonite stari i montirajte novi sustav kalema prema prikazu na slici
 - s ovim uređajem koristite samo sustav kalema SKIL 2610Z01354 (**oštećenja koja nastanu zbog upotrebe drugih sustava kalema bit će isključena iz jamstva**)
 - nakon zamjene sustava kalema ispitajte rad uređaja u trajanju od najmanje jedne minute bez opterećenja kako biste se uvjerali da uređaj ispravno radi

ODRŽAVANJE / SERVISIRANJE


- Ovaj uređaj nije namijenjen profesionalnoj upotrebi
- **Prije čišćenja ili održavanja uvijek izvucite utikač iz izvora napajanja**
- Održavajte čistim uređaj i kabel (osobito otvore za hlađenje)
 - uređaj čistite suhom, mekanom krpicom (ne koristite sredstva ili otopine za čišćenje)
 - očistite oštricu za rezanje niti J ② i zaštitu A ② nakon svake upotrebe
 - ventilacijske otvore L ② čistite redovno uz pomoć četke ili komprimiranog zraka
- Redovito provjeravajte stanje rezne glave i pritegnutost matica, vijaka i zavrtanja
- Redovito provjeravajte ima li ishabanih i oštećenih komponenta i po potrebi ih popravite/zamijenite
- Odlaganje ⑲
 - uređaj spremite **unutra** na suho mjesto nedostupno za djecu
 - sigurno montirajte vodilicu za odlaganje M na zid pomoću 4 vijka (**nisu isporučeni**) i horizontalno je poravnajte
- Ako bi uređaj unatoč brižljivih postupaka izrade i ispitivanja ipak prestao raditi, popravak treba prepustiti ovlaštenom servisu za SKIL električne alate
 - uređaj treba **nerastavljeno** predati, zajedno s računom o kupnji u najbližu SKIL ugovornu servisnu radionicu (popise servisa, kao i oznake rezervnih dijelova uređaja možete naći na adresi www.skil.com)

RJEŠAVANJE PROBLEMA

- Na sljedećem popisu prikazani su simptomi problema, mogući uzroci i korektivne mjere (ako na taj način ne otklonite problem, obratite se dobavljaču ili servisu)
 - ! **isključite uređaj i izvucite utikač prije pokušaja otkrivanja uzroka problema**
- ★ Uređaj ne radi
 - kvar mrežne utičnice -> pokušajte priključiti uređaj u neku drugu utičnicu
 - oštećen produžni kabel -> zamijenite produžni kabel
- ★ Uređaj radi isprekidano
 - kvar unutarnjeg ožičenja -> obratite se dobavljaču/servisu
 - kvar prekidača za uključivanje/isključivanje -> obratite se dobavljaču/servisu
- ★ Uređaj nenormalno vibrira
 - trava je previsoka -> režite u slojevima
- ★ Uređaj ne reže
 - nit je prekratka/iskidana > ručno uvedite nit

- ★ Nit se ne može uvesti
 - prazan kalem -> zamijenite kalem
 - nit je zapetljana u kalem -> pregledajte kalem; ako je potrebno, ponovno ga namotajte
- ★ Nit nije odrezana na ispravnu duljinu -> skinite poklopac s rezne oštrice
- ★ Nit se stalno kida
 - nit je zapetljana u kalem -> pregledajte kalem; ako je potrebno, ponovno ga namotajte
 - obrezivač se ne koristi ispravno -> obrezujte samo vrhom niti; izbjegavajte kamenje, zidove i druge čvrste objekte; redovito uvodite nit

ZAŠTITA OKOLIŠA

- **Električne alate, pribor i ambalažu ne bacajte u kućni otpad** (samo za EU-države)
 - prema Europskoj direktivi 2012/19/EG o staroj električnoj i elektroničkoj opremi i njenoj primjeni u skladu sa nacionalnim zakonom, istrošeni električni alati moraju se sakupljati odvojeno i odvesti u posebne pogone za reciklažu
 - na to podsjeća simbol  kada se javi potreba za odlaganjem

DEKLARACIJA O SUKLADNOSTI CE

- Izjavljujemo uz punu odgovornost da je ovaj proizvod opisan u "Tehnički podaci" usklađen sa slijedećim normama ili normativnim dokumentima: EN 60335, EN 61000, EN 55014 prema odredbama smjernica 2006/95/EG, 2004/108/EG, 2006/42/EG, 2000/14/EG, 2011/65/EU
- **Tehnička dokumentacija se može dobiti kod:** SKIL Europe BV (PT-SEU/ENG1), 4825 BD Breda, NL

Marijn van der Hoofden Olaf Dijkgraaf
Operations & Engineering Approval Manager




SKIL Europe BV, 4825 BD Breda, NL

19.12.2013

CE10

BUCI/VIBRACIJAMA

- Mjereno prema EN 60335 prag zvučnog tlaka ovog električnog alata iznosi 70 dB(A) a jakost zvuka 90 dB(A) (standardna devijacija: 3 dB), a vibracija $2,5 \text{ m/s}^2$ (postupkom na šaci-ruci; nesigurnost $K = 1,5 \text{ m/s}^2$)
- Pri mjerenju izvedenom u skladu s 2000/14/EG (EN/ISO 3744) zajamčena razina buke LWA manja je od 93 dB(A) (postupak vrednovanja usklađenosti prema Dodatku VI) Obaviješteno tijelo: KEMA, Arnhem, NL Identifikacijski broj obaviještenog tijela: 0344
- Razina emitiranja vibracija izmjerena je sukladno normiranom testu danom u EN 60335; ona se može koristiti za usporedbu jedne alatke s drugom, te preliminarnu procjenu izloženosti vibracijama pri uporabi alatke za navedene namjene
 - uporaba ove alatke za druge namjene ili s drugim ili slabo održanim nastavcima, može u značajnoj mjeri **uvećati** razinu izloženosti

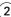

- vrijeme tokom kojega je alatka isključena, ili je uključena ali se njome ne radi, može značajno **umanjiti** razinu izloženosti
- ! **zaštite se od posljedica vibracija održavanjem alatke i njezinih nastavaka, održavanjem Vaših ruku toplima, te organiziranjem Vaših obrazaca rada**

SRB

Trimer za šišanje trave pomoću niti

0730

UPUTSTVO

- Ovaj alat namenjen je sečenju trave i korova ispod grmlja, kao i na kosinama i rubovima do kojih nije moguće doći kosačicom
- Ovaj alat nije namenjen za profesionalnu upotrebu
- Proverite da li ambalaža sadrži sve delove prikazane na šemi 
- U slučaju da delovi nedostaju ili su oštećeni, molimo kontaktirajte svog prodavca
- **Pažljivo pročitajte ovo uputstvo za upotrebu i sačuvajte ga za kasnije potrebe** 
- **Posebno obratite pažnju na uputstva o bezbednosti i upozorenja; ukoliko ih ne sledite, može da dođe do ozbiljnih povreda**

TEHNIČKI PODACI

ELEMENTI ALATA

- A** Štitnik za sečenje
- B** Ručica za vođenje
- C** Regulator zategnutosti kabla
- D** Stezna glava
- E** Teleskopska cev
- F** Prekidač
- G** Poklopac oštrice sečiva
- H** Dugme za dodavanje niti
- J** Oštrica za sečenje niti
- K** Poklopac kalema
- L** Prerezi za hlađenje
- M** Šina za odlaganje (**zavrtnji nisu priloženi**)
- N** Kuka za odlaganje

SIGURNOST

POSEBNA BEZBEDNOSNA UPUTSTVA ZA MAŠINE ZA ŠIŠANJE TRAVE POMOĆU NITI

OPŠTA

- Poznajte se sa komandama i pravilnim korišćenjem alata
- Korisnik je odgovoran za nezgode ili opasnosti kojima su izložena druga lica ili njihova imovina
- Aparat koristite samo kada je temperatura u okruženju između 0°C i 40°C
- Na ovaj alat nikada ne montirajte metalne elemente za sečenje

SIGURNOST OSOBA

- Ovaj alat namenjen je za upotrebu osobama (uključujući i decu) sa smanjenim fizičkim, senzorskim ili mentalnim sposobnostima ili sa manjkom iskustva i znanja, a ako im osoba zadužena za njihovu bezbednost nije pružila odgovarajuća pomoć i uputstvo kako koristiti alat
- Vodite računa da se deca ne igraju sa alatom
- Korišćenje alata nikada nemojte dozvoliti deci ili drugim licima koja nisu upoznata sa uputstvom za njegovu upotrebu
- **Prste držite podalje od oštrice za sečenje niti, koja je uklopljena u štitnik za sečenje**
- Ruke i stopala držite podalje od niti za sečenje tokom šišanja, naročito prilikom uključivanja alata
- Kada rukujete alatom, uvek nosite štitnik za oči, pantalone sa dugim nogavicama i čvrste cipele
- Nikada ne rukujte alatom u neposrednoj blizini drugih lica; prestanite sa upotrebom alata kada se u blizini nalaze druga lica (naročito deca) ili kućni ljubimci
- Nikada ne rukujte alatom ukoliko ste umorni, bolesni ili pod uticajem alkohola ili drugih opojnih supstanci

ELEKTRIČNA SIGURNOST

- Uvek se uverite da je napon struje isti kao i napon naveden na pločici sa nazivom alatu (alati na kojima je naveden napon od 230V ili 240V mogu da rade i na 220V)
- Povremeno proverite kabl i u slučaju oštećenja, odnesite ga kvalifikovanim licu da ga zameni
- Povremeno pregledajte produžni kabl i zamenite ga u slučaju oštećenja (**neodgovarajući produžni kablovi mogu predstavljati opasnost**)
- Isključivo koristite produžni kabl koji je namenjen za korišćenje na otvorenom i opremljen vodonepropusnim utikačem i dvostrukom utičnicom otpornom na kvašenje
- Produžni kabl koji koristite mora da bude sasvim odmotan i siguran, sa kapacitetom od 16 A
- Prilikom upotrebe alata u vlažnom okruženju, koristite sklopku na diferencijalnu struju čija je struja okidanja najviše 30 mA
- Nemojte gaziti, gnječiti ili potezati (produžni) kabl
- Zaštitite (produžni) kabl od toplote, ulja i oštrih ivica
- **(Produžni) kabl držite podalje od niti za sečenje koje se okreću**
- Uvek isključite alat i izvucite utikač iz izvora napajanja ukoliko je kabl napajanja ili produžni kabl presečen, oštećen ili zapleten (**kabl ne dodirujte pre nego što izvucete utikač**)

PRE UPOTREBE

- Alat koristite isključivo pri dnevnom svetlu ili uz odgovarajuće veštačko osvetljenje
- Proverite funkcionisanje aparata pre upotrebe i posle svakog udara; u slučaju postojanja bilo kakvog kvara, popravku odmah poverite stručnom licu (aparat nikada ne otvarajte sami)
- Pre upotrebe, pažljivo pregledajte prostor u kojem se vrši sečenje i uklonite sva strana tela koja bi alat mogao da odbaci uvis tokom sečenja (kao npr. kamenje, parčiči drveta, itd.)

TOKOM UPOTREBE

- Nikada nemojte da koristite alat ako je kabl oštećen; zamenu kabla mora da obavi stručno lice

- Nikada ne rukujte alatom čiji je štitnik za sečenje oštećen ili nije montiran
- **Niti za sečenje okreću se još neko vreme nakon što se alat isključuje**
- Ne secite travu koja nije pri tlu (npr. nalazi se na zidovima ili stenama)
- Ne prelazite puteve ili šljunčane staze dok je alat uključen
- Ne dozvolite da Vam bilo šta odvuče pažnju i budite usredsređeni na ono što radite
- Uvek izvucite utikač iz izvora napajanja
 - kada god ostavljate alat bez nadzora
 - pre uklanjaња zaglavljenog materijala
 - pre provere, čišćenja ili rada na alatu
 - posle udara ca u strano telo
 - kada god alat počne da vibrira na neuobičajen način
- Uvek osigurajte da u ventilacionim otvorima ne bude otpadaka

NAKON UPOTREBE

- **Alat uvek isključite i izvucite utikač iz izvora napajanja pre vršenja podešavanja, zamene kalemova, čišćenja ili ostavljanja alata bez nadzora na bilo koje vreme**
- Čuvajte alat na suvom u njegovu i zaključanom mestu, van domašaja dece

OBJAŠNJENJE SIMBOLA NA ALATU

- ③ **Upozorenje!** Pročitajte uputstvo za upotrebu
- ④ Ne izlažite alat kiši
- ⑤ Nosite zaštitne naočari
- ⑥ **Obratite pažnju na rizik od povreda izazvanih letećim otpacima** (druga lica držite na bezbednoj udaljenosti od radnog prostora)
- ⑦ Ukoliko tokom rada dođe do oštećenja ili presecanja (produžnog) kabla, odmah izvucite utikač
- ⑧ Dvostruka izolacija (nije potrebna žica za uzemljenje)

UPUTSTVO ZA KORIŠĆENJE

- Štitnik za sečenje ⑩
 - montirajte štitnik za sečenje A prema ilustraciji, pomoću priloženog zavrtnja okrugle glave
 - ! **nikada ne koristite alat bez štitnika za sečenje A**
- Montiranje/podešavanje ručice za vođenje ⑪
 - montirajte štitnik za sečenje B prema ilustraciji, pomoću priložena 4 zavrtnja
 - ! **dobro stegnite sva 4 zavrtnja**
- Regulator zategnutosti kabla ⑫
 - omču produžnog kabla zakačite za regulator zategnutosti C prema ilustraciji
 - dobro zategnite da biste učvrstili produžni kabl
- Podešavanje visine ⑬
 - Da biste podesili visinu alata tako da Vam podlaktica bude ispružena prilikom šišanja
 - otpustite steznu glavu D ② okretanjem u smeru kazaljke na satu
 - produžite cev E ② na željenu visinu
 - zategnite steznu glavu D ② okretanjem u smeru suprotnom od kazaljke na satu
- Uključivanje/isključivanje ⑭
 - uključite alat pritiskom prekidača F
 - isključite alat otpuštanjem prekidača F
 - ! **posle isključivanja alata, niti za sečenje će se okretati još nekoliko trenutaka**

- sačekajte da niti za sečenje prestanu da se okreću pre nego što ponovo uključite alat
- ! **uključivanje i isključivanje nemojte vršiti naglo**
- **Šišanje**
- ! **neka crveni poklopac G ② obavezno bude uklonjen sa oštrice za sečenje niti pre upotrebe alata**
- ! **neka prostor u kojem se vrši sečenje bude bez kamenja, otpadaka i drugih stranih tela**
- ! **šišanje počnite tek kada alat počne da radi punom brzinom**
- obrezivanje započnite blizu mrežne utičnice i od nje se udaljajte tokom rada
- visoku travu secite u slojevima (uvek počnite od vrha)
- šišajte samo vrhom niti za sečenje
- ne secite vlažnu ili mokru travu
- sprečite da posečena trava zaglavi kalem (ne pravite teške otkose)
- ne preopterećujte alat
- oprezno secite oko drveća i grmlja, da ono ne bi došlo u dodir sa nitima za sečenje
- držite alat podalje od čvrstih predmeta da biste niti za sečenje zaštitili od preteranog habanja
- vodite računa o sili trzaja koja se javlja prilikom dodira sa čvrstim predmetima
- **Držanje i upravljanje alata ⑬**
- kod sečenja visoke trave, polako njišite alat zdesna nalevo i obrnuto
- da biste sekli kraću travu, nagnite alat kako je prikazano na ilustraciji
- okrenite alat za 180° za šišanje rubova
- držite alat čvrsto obema rukama, tako će te imati punu kontrolu nad alatom sve vreme
- održavajte stabilan položaj tokom rada
- alat uvek držite na izrazitoj udaljenosti od tela
- **Dodavanje niti ⑭**
- pritisnite dugme H laganim dodirom sa tlom (po mogućstvu na čvrstoj površini) dok motor radi
- dve niti za sečenje biće oslobođene i oštricom za sečenje J odsečene na pravilnu dužinu
- ! **neka crveni poklopac G ② obavezno bude uklonjen sa oštrice za sečenje niti pre upotrebe alata**
- ! **vodite računa o povredama koje može prouzrokovati oštrica za sečenje niti J**
- posle dodavanja niti, alat uvek vratite u njegov normalni radni položaj pre nego što ga uključite
- nit dodavajte redovno radi održanja punog ciklusa sečenja
- kada motor radi bez opterećenja i ne seče travu, niti za sečenje su pohabane ili pokidane; ponovo namotajte kalem ili zamenite kalemški sistem
- **Ponovno namotavanje kalema ⑰**
- Ukoliko niti za sečenje ne vire iz poklopca kalema K
- ! **isključite alat i iskopčajte ga iz utičnice**
- uklonite kalemški sistem iz alata i izvadite kalem iz poklopca kalema K
- ponovo premotajte obe niti za sečenje, čvrsto i ravnomerno u slojevima, u smeru koji pokazuje strelica
- ubacite obe niti u kalemške proreze X i dobro ih učvrstite (ostavite nit dovoljne dužine)

- provucite obe niti kroz kalemške otvore Y pre nego što ponovo namotani kalem stavite u poklopac kalema K
- ! **kada je kalem čvrsto postavljen na svoje mesto, izvucite obe niti iz proreza X čvrsto ih povlačeći**
- postavite kalemški sistem na alat (**okrećite kalem u pravcu kazaljki na satu dok ne upadne na svoje mesto**) ⑱
- **Zamena kalemskog sistema ⑲**
- ! **isključite alat i iskopčajte ga iz utičnice**
- jednostavno uklonite/montirajte stari/novi kalemški sistem na način prikazan na ilustraciji
- uz ovaj alat koristite isključivo SKIL kalemški sistem 2610Z01354 (**oštećenje nastalo usled upotrebe drugih kalemških sistema nije pokriveno garancijom**)
- posle zamene kalemskog sistema, pustite alat u probni pogon bez opterećenja u trajanju od najmanje jednog minuta da biste se uverili u njegov pravilan rad

ODRŽAVANJE / SERVIS


- Ovaj alat nije namenjen za profesionalnu upotrebu
- **Obavezno izvucite utikač iz izvora napajanja pre čišćenja i/ili održavanja**
- Alat i kabl uvek održavajte čistim (posebno otvore za hlađenje)
 - alat čistite vlažnom krpom (nemojte koristiti agense ili rastvore za čišćenje)
 - očistite oštricu sečiva J ② i štitičnik za sečenje A ② posle svake upotrebe
 - čistite ventilacione otvore L ② redovno pomoću četke ili komprimovanog vazduha
- Redovno proveravajte stanje glave za sečenje i zategnutost matica, zavrtnja i šrafova
- Redovno proveravajte da li ima pohabanih ili oštećenih delova i izvršite popravku/zamenu kada je to potrebno
- **Skladištenje ⑲**
 - čuvajte alat na suvom **u njegovu** i zaključanom mestu, van domašaja dece
 - šinu za odlaganje dobro pričvrstite M za zid pomoću 4 zavrtnja (**nisu priloženi**) u horizontalnom položaju
- Ako bi alat i pored brižljivog postupka izrade i kontrole nekada otkazao, popravku mora vršiti neki autorizovani servis za SKIL-električne alate
 - pošaljite **nerastavljeni** alat zajedno sa potvrdom o kupovini vašem nabavljaču ili najbližem SKIL servisu (adrese i oznake rezervnih delova možete naći na www.skil.com)

REŠAVANJE PROBLEMA

- Na spisku koji sledi dati su simptomi problema, mogući uzroci i postupci namenjeni njihovom otklanjanju (ukoliko ovim putem problem ne bude otkriven, obratite se prodavcu ili servisu)
- ! **isključite alat i izvucite utikač pre nego što se posvetite istraživanju problema**
- ★ **Alat ne funkcioniše**
 - neispravna utičnica napajanja -> upotrebite drugu utičnicu
 - oštećen produžni kabl -> zamenite produžni kabl
- ★ **Isprekidan rad alata**
 - neispravno/unutrašnje ožičenje -> obratite se prodavcu/servisu

- neispravan prekidač za uključivanje/isključivanje -> obratite se prodavcu/servisu
- ★ Alat vibrira na neobičajan način
 - trava previsoka -> seći etapno
- ★ Alat ne seče
 - nit prekratka/pokidana -> nit dodati ručno
- ★ Nit nije moguće dodati
 - kalem prazan -> zameniti kalem
 - nit zapletena unutar kalema -> pregledati kalem, ponovo namotati u slučaju potrebe
- ★ Nit nije odsečena na pravilnu dužinu -> ukloniti poklopac sa oštrice sečiva
- ★ Nit neprestano puca
 - nit zapletena unutar kalema -> pregledati kalem, ponovo namotati u slučaju potrebe
 - nepravilno korišćenje trimera za šišanje trave -> šišajte isključivo vrhom niti, izbegavajte kamenje, zidove i ostale čvrste predmete, redovno vršite dodavanje niti

ZAŠTITA OKOLINE

- **Električne alate, pribora i ambalaže ne odlažite u kućne otpatke** (samo za EU-države)
 - prema Europskoj direktivi 2012/19/EG o staroj električnoj i elektronskoj opremi i njenoj upotrebi u skladu sa nacionalnim pravom, električni alati koji su istrošeni moraju biti sakupljeni odvojeno i dostavljeni pogonu za reciklažu
 - simbol  će vas podsetiti na to

DEKLARACIJA O USKLAĐENOSTI CE

- Izjavljujemo na vlastitu odgovornost da je pod "Tehnički podaci" opisani proizvod usaglašen sa sledećim standardima ili normativnim aktima: EN 60335, EN 61000, EN 55014 prema odredbama smernica 2006/95/EG, 2004/108/EG, 2006/42/EG, 2000/14/EG, 2011/65/EU
- **Tehnička dokumentacija kod:** SKIL Europe BV (PT-SEU/ENG1), 4825 BD Breda, NL

Marijn van der Hoofden Olaf Dijkgraaf
Operations & Engineering Approval Manager




SKIL Europe BV, 4825 BD Breda, NL

19.12.2013

CE10

BUKA/VIBRACIJE

- Mereno u skladu sa EN 60335 nivo pritiska zvuka ovog alata iznosi 70 dB(A) a jačina zvuka 90 dB(A) (normalno odstupanje: 3 dB), a vibracija $2,5 \text{ m/s}^2$ (mereno metodom na šaci-ruci; nesigurnost $K = 1,5 \text{ m/s}^2$)
- Garantovani nivo jačine zvuka LWA, izmeren u skladu sa 2000/14/EG (EN/ISO 3744) niži je od 93 dB(A) (postupak ocene usaglašenosti prema Dodatku VI) Obavešteno telo : KEMA, Arnhem, NL Identifikacioni broj obaveštenog tela : 0344
- Nivo emisije vibracija izmeren je u skladu sa standardizovanim testom datim u EN 60335; on se može

koristiti za upoređenje jedne alatke sa drugom, kao i za preliminarnu procenu izloženosti vibracijama pri korišćenju ove alatke za pomenute namene

- korišćenje alatke u drugačije svrhe ili sa drugačijim ili slabo održavanim nastavcima može značajno **povećati** nivo izloženosti
- vreme kada je alatka isključena ili kada je uključena, ali se njome ne radi, može značajno **smanjiti** nivo izloženosti

! zaštitite se od posledica vibracija održavanjem alatke i njenih nastavaka, održavajući Vaše ruke toplim i organizovanjem Vaših radnih obrazaca

(SLO)

Obrezovalnik na nitko

0730

UVOD

- Orodje je namenjeno rezanju trave i plevela pod grmičevjem ter na pobočjih ter robovih, kjer ni mogoča košnja s kosilnico
- Orodje ni namenjeno profesionalni uporabi
- Preglejte, ali embalaža vsebuje vse dele, prikazane na skici ②
- V primeru manjkajočih ali okvarjenih delov se obrnite na prodajalca
- **Pred uporabo pozorno preberite navodila za uporabo in jih shranite, da jih boste lahko uporabljali tudi v prihodnosti** ③
- **Posebno pozornost namenite navodilom in opozorilom o varnosti; če jih ne boste upoštevali, lahko pride do hudih poškodb**

TEHNIČNI PODATKI ①

DELI ORODJA ②

- A Zaščita rezila
- B Vodilna ročica
- C Sponka za kabel
- D Zatisna puša
- E Teleskopska cev
- F Sprožilec
- G Zaščitno pokrivalo rezila
- H Gumb za dovajanje nitke
- J Rezilo za rezanje nitke
- K Pokrov tuljave
- L Ventilacijske reže
- M Obešalnik za shranjevanje (**vijaki niso vključeni v obseg dobave**)
- N Kavelj za shranjevanje

VARNOST

POSEBNA VARNOSTNA NAVODILA ZA OBRIZOVALNIKE NA NITKO

SPLOŠNO

- Seznanite se z upravljanjem in pravilno uporabo orodja
- Uporabnik je odgovoren za nezgode ali tveganja za druge osebe ali njihovo lastnino

- Orodje uporabljajte zgolj pri temperaturi okolice med 0—40°C
- Na orodje ne nameščajte kovinskih rezalnih komponent

OSEBNA VARNOST

- To orodje ni namenjeno uporabi s strani oseb (vključujoč tudi otroke) z zmanjšanimi fizičnimi, senzoričnimi ali mentalnimi sposobnostmi, oz. s premalo izkušenj ali znanja, edino, če slednji niso bili primerno usposobljeni iz inštruirani za uporabo tovrstnega orodja, s strani osebe, ki je odgovorna za njihovo varnost
- Zagotovite, da se otroci ne bodo igrali z orodjem
- Preprečite uporabo orodja otrokom ali osebam, ki niso seznanjene z navodili za njegovo uporabo
- **Prste ne približujte rezilu za rezanje nitke, nameščenemu v zaščito rezila**
- Rok in nog med obrezovanjem, ter zlasti med vklopom orodja, ne približujte rezalnim nitkam
- Pri delu z orodjem vselej nosite zaščitna očala, dolge hlače in odporno obutev
- Orodja ne uporabljajte v neposredni bližini oseb; orodje prenehajte uporabljati, če so v bližini osebe (zlasti otroci) ali domači ljubljenci
- Orodja ne uporabljajte, če ste utrujeni, bolni ali pod vplivom alkohola ali drog

ELEKTRIČNA VARNOST

- Vedno preverite, če je napetost omrežja enaka napetosti, ki je navedena na tablici orodja (orodje z nazivno napetostjo 230V ali 240V lahko priključite tudi na napetost 220V)
- Periodično preverjajte kabla in naj ga zamenja strokovnjak v primeru poškodbe
- Redne pregledujte podaljšek kabla, poškodovane podaljške pa menjajte (**uporaba neustreznega podaljška je lahko nevarna**)
- Uporabljajte samo podaljške kabla, ki so namenjeni zunanji uporabi ter so opremljeni s vtičem in vtičnico, odpornima proti vlagi
- Uporabljajte povsem iztegnjene in varne električne podaljške, z jakostjo 16 amperov
- Pri uporabi orodja v vlažnem okolju uporabite zaščitno napravo na diferenčni tok z občutljivostjo toka največ 30 mA
- Ne vozite čez kabel (podaljška) in ga ne zvijajte ali vlecite
- Kabel (podaljšek) zaščitite pred vročino, oljem in ostrimi robovi
- **Podaljška ne približujte vrtečim se nitkam**
- Vselej izklopite orodje in izvlecite električni vtič iz vtičnice, če je napajalni kabel ali podaljšek prerezan, poškodovan, ali če se zaplete (**kabla se ne dotikajte, dokler ne izvlečete vtiča iz vtičnice**)

PRED UPORABO

- Orodje uporabljajte samo pri dnevni svetlobi ali ustrezni umetni razsvetljavi
- Pred vsako uporabo in po morebitnih udarcih preverite pravilno delovanje orodja; ob okvari naj orodje takoj popravi ustrezno usposobljen strokovnjak (orodja ne odpirajte sami)
- Pred uporabo temeljito pregledite območje rezanja in odstranite vse morebitne predmete, ki bi jih lahko orodje med rezanjem izvrglo (npr. kamenje, lesene delce itd.)

MED UPORABO

- Nikoli ne uporabljajte orodja, če je kabel poškodovan; okvaro naj odpravi strokovnjak
- Orodja ne uporabljajte s poškodovano zaščito rezila ali brez nje
- **Nitki se po izklopu orodja še nekaj časa vrtita**
- Ne režite trave, ki raste na drugih površinah (npr. na zidovih ali skalah)
- Cest ali peskanih poti ne prečkajte z vklopljenim orodjem
- Ne preusmerjajte pozornosti in ostanite osredotočeni na svoje delo
- Vselej izvlecite električni vtič iz vtičnice
 - če pustite orodje nenadzorovano
 - preden očistite zagodeni material
 - pred preverjanjem ali čiščenjem orodja ali opravljanjem posegov na njem
 - po udarcu ob tujek
 - če se začne orodje nenavadno tresti
- Vselej se pripravljajte, da v prezračevalnih odprtinah ni ostanokov

PO UPORABI

- **Pred nastavitvami, menjavo tuljave, čiščenjem ali daljšo neuporabo orodja slednjega vselej izklopite, vtič pa izključite iz napajalnika**
- Shranjujte orodje v zaprtem prostoru na suhem mestu in izven dosega otrok

POJASNILO OZNAK NA ORODJU

- ③ **Opozorilo!** Preberite navodila za uporabo
- ④ Orodja ne izpostavljajte dežju
- ⑤ Uporabljajte zaščitna očala
- ⑥ **Bodite pozorni na nevarnost, ki jo povzročajo izvrženi ostaniki** (navožce osebe naj bodo na varni razdalji od delovnega območja)
- ⑦ Če je priključni kabel (podaljšek) med delom poškodovan ali se pretrga, vtič nemudoma izvlecite iz vtičnice
- ⑧ Dvojna izolacija (ozemljitveni kabel ni potreben)

UPORABA

- Zaščita rezila ^⑩
 - zaščito rezila A namestite s priloženimi vgreznimi vijaki, kot prikazano
 - ! **orodje vselej uporabljajte z nameščeno zaščito rezila A**
- Nameščanje/nastavitev usmerjevalnega ročaja ^⑪
 - usmerjevalni ročaj B namestite s štirimi priloženimi vijaki, kot prikazano
 - ! **trdno privijte vse 4 vijake**
- Sponka za kabel ^⑫
 - s kablom naredite zanko skozi varovalno sponko C, kot je prikazano na sliki
 - z močnim potegom zanke zavarujte kabel
- Nastavitev višine ^⑬

Za nastavitev višine orodja, tako da imate prednjo roko med obrezovanjem iztegnjeno

 - zatiso pušo D ^② zrahljajte tako, da jo obrnete v levo
 - cev E ^② podaljšajte na zeleno višino
 - zatiso pušo D ^② pritegnite tako, da jo obrnete v desno
- Vkllop/izklop ^⑭
 - orodje vklopite tako, da pritisnete sprožilec F
 - orodje izklopite tako, da izpustite sprožilec F

- ! **po izklopu orodja se rezalni nitki vrtita še nekaj sekund**
- pred ponovnim vklopom počakajte, da se rezalni nitki prenehata vrteti
- ! **hitra vklop in izklop orodja nista dovoljena**
- Obrezovanje
 - ! **preverite, ali je rdečo pokrivalo G ② pred uporabo orodja odstranjeno z rezila za rezanje nitke**
 - ! **zagotovite, da na območju rezanja ne bo kamenja, grušča ali drugih tujkov**
 - ! **rezati lahko začnete šele, ko orodje obratuje pri polni hitrosti**
 - rezati začnite v bližini vtičnice in se med delom od nje oddaljajte
 - visoko travo režite po plasteh (vselej začnite na vrhu)
 - obrezujte samo z vrhom rezalne nitke
 - ne režite vlažne ali mokre trave
 - preprečite, da bi rezana trava zamašila tuljavo (režite manjše količine trave)
 - orodja ne preobremenjujte
 - previdno obrezujte travo okoli drevca in grmovja, da preprečite njihov stik z rezalnima nitkama
 - orodja ne približujte trdnim predmetom, da rezalni nitki zaščitite pred prekomerno obrabo
 - bodite pozorni na reakcijske sile ob stiku s trdnimi predmeti
- Držanje in vodenje orodja ⑮
 - pri rezanju visoke trave počasi zanihajte orodje od desne proti levi in obratno
 - pri rezanju nizke trave orodje nagnite, kot prikazano
 - za obrezovanje robov nagnite orodje za 180°
 - orodje držite vedno z obema rokama, s tem imate med delom popoln nadzor nad orodjem
 - ohranite stabilen delovni položaj
 - orodje držite čim bolj stran od telesa
- Dovajanje nitke ⑮
 - gumb H nežno tapnite, medtem ko je orodje na tleh (po možnosti na trdni površini), motor pa je v teku
 - prikazali se bosta rezalni nitki, ki bosta z rezilom za rezanje nitke J odrezani na ustrezno dolžino
 - ! **preverite, ali je rdečo pokrivalo G ② pred uporabo orodja odstranjeno z rezila za rezanje nitke**
 - ! **preprečite poškodbe zaradi rezila za rezanje nitke J**
 - po dovodu nitke in pred ponovnim vklopom vrnite orodje v normalni delovni položaj
 - za vzdrževanje popolnega rezalnega kroga redno dovajajte nitki
 - če motor ni pod obremenitvijo ali če stroj ne reže trave, so rezalne nitke obrabljene ali pretrgane; znova navijte tuljavo ali zamenjajte njen sistem
- Ponovno navijanje tuljave ⑰
 - Če rezalni nitki ne preideta iz pokrova tuljave K
 - ! **izklopite orodje in izvlecite vtičak iz vtičnice**
 - tuljavni sistem odstranite iz orodja in tuljavo iz pokrova tuljave K
 - rezalni nitki tesno in enakomerno navijte v plasteh v smeri puščice
 - nitki vstavite v režo tuljave X in zagotovite, da sta varno pritrjeni (pusite zadostno dolžino nitke)

- nitki vstavite v režo tuljave Y pred namestitvijo ponovno navite tuljave v njen pokrov K
- ! **preverite, ali je tuljava varno nameščena, nato pa nitki močo povlecite skozi režo X**
- namestite sistem tuljave na orodje (**tuljavo zavrtite v desno, dokler se ne zaskoči na svojem mestu**) ⑮
- Menjavanje tuljavnega sistema ⑮
 - ! **izklopite orodje in izvlecite vtičak iz vtičnice**
 - nov/star tuljavni sistem preprosto odstranite/ namestite, kot je prikazano
 - z orodjem uporabljajte samo tuljavne sisteme znamke SKIL 2610Z01354 (**škoda zaradi uporabe drugih sistemov tuljav je izključena iz garancije**)
 - po menjavi tuljavnega sistema vsaj minuto preizkušajte orodje brez obremenitve, da zagotovite njegovo pravilno delovanje

VZDRŽEVANJE/SERVISIRANJE

- Orodje ni namenjeno profesionalni uporabi
- **Pred čiščenjem/vzdrževanjem vselej izvlecite vtič iz napajalnika**
- Priključni kabel in orodje naj bosta vedno čista (posebej še prezačevalne odprtine)
 - orodje čistite z vlažno krpo (ne uporabljajte čistilnih sredstev ali topil)
 - po vsaki uporabi očistite rezilo za rezanje nitke J ② in njegovo zaščito A ②
 - ventilacijske odprtine L ② redno čistite s krtačo ali stisnjenim zrakom
- Redno pregledujte stanje rezalne glave ter tesnjenje matic in vijakov
- Redno pregledujte rabljene ali poškodovane delov in jih po potrebi posredujte v popravilo ali jih menjajte
- Shranjevanje ⑰
 - shranjujte orodje **v zaprtem prostoru** na suhem mestu in izven dosega otrok
 - s štirimi vijaki (**niso vključeni v obseg dobave**) obešalnik za shranjevanje M previdno pritrдите vodoravno na steno
- Če bi kljub skrbnim postopkom izdelave in preizkušanja prišlo do izpada delovanja orodja, naj popravilo opravi servisna delavnica, pooblaščen za popravila SKILevih električnih orodij
 - pošljite **nerazstavljeno** orodje skupaj s potrdilom o nakupu pri vašemu prodajalcu v najbližjo SKIL servisno delavnico (naslovi, kot tudi spisek rezervnih delov se nahaja na www.skil.com)

ODPRAVLJANJE NAPAK

- V naslednjem seznamu navedeni znaki težav, možni vzroki in ustrezni ukrepi za odpravljanje težav (če to ne pripomore k odkrivanju in odpravljanju težav, se obrnite na vašega prodajalca ali servisno delavnico)
 - ! **preden raziščete težavo, izklopite orodje in izvlecite vtič iz vtičnice**
- ★ Orodje ne deluje
 - vtičnica je poškodovana -> uporabite drugo vtičnico
 - podaljšek kabla je poškodovan -> menjajte podaljšek kabla
- ★ Orodje deluje s prekinitvami
 - okvara notranjih električnih povezav -> obrnite se na prodajalca/servisno delavnico

- stikalo za vklop/izklop ne deluje -> obrnite se na prodajalca/servisno delavnico
- ★ Nenavadno tresenje orodja
 - previsoka trava -> postopno rezanje
- ★ Orodje ne reže
 - prekratka/pretrgana nitka -> ročno vstavite nitko
- ★ Nitke ni mogoče vstaviti
 - prazna tuljava -> tuljavo menjajte
 - ujetje nitke v tuljavo -> pregledite tuljavo in jo po potrebi znova navijte
- ★ Neustrezna dolžina nitke -> z rezila odstranite pokrov
- ★ Nenehno trganje nitke
 - ujetje nitke v tuljavo -> pregledite tuljavo in jo po potrebi znova navijte
 - neustrezna uporaba obrezovalnika -> obrezujte zgolj s koncem nitke; izogibajte se kamenju, zidom in drugim trdnim predmetom; enakomerno dovajajte nitko

OKOLJE

- **Električnega orodja, pribora in embalaže ne odstranjujte s hišnimi odpadki** (samo za države EU)
 - v skladu z Evropsko direktivo 2012/19/EG o odpadni električni in elektronski opremi in z njenim izvajanjem v nacionalni zakonodaji je treba električna orodja ob koncu njihove življenjske dobe ločeno zbirati in jih predati v postopek okolju prijaznega recikliranja
 - ko je potrebno odstranjevanje, naj vas o načinu spomni simbol ⑨

IZJAVA O SKLADNOSTI CE

- Izjavljamo pod izključno odgovornostjo, da proizvod pod "Tehnični podatki" ustreza naslednjim standardom oz. standardiziranim dokumentom: EN 60335, EN 61000, EN 55014 v skladu z določili direktiv 2006/95/ES, 2004/108/ES, 2006/42/ES, 2000/14/ES, 2011/65/EU
- **Tehnična dokumentacija se nahaja pri:** SKIL Europe BV (PT-SEU/ENG1), 4825 BD Breda, NL

Marijn van der Hoofden
Operations & Engineering

Olaf Dijkgraaf
Approval Manager




SKIL Europe BV, 4825 BD Breda, NL

19.12.2013

CE10

HRUP/VIBRACIJA

- Izmerjeno v skladu s predpisom EN 60335 je raven zvočnega pritiska za to orodje 70 dB(A) in jakosti zvoka 90 dB(A) (standarden odmik: 3 dB), in vibracija $2,5 \text{ m/s}^2$ (metoda dlan-roka; netočnost $K = 1,5 \text{ m/s}^2$)
- Zagotovljeni ravni zvočne moči in zvočnega tlaka (LWA), izmerjeni skladno z direktivo 2000/14/ES (EN/ISO 3744) sta manjši od 93 dB(A) (postopek ocene skladnosti izdelka je bil opravljen ustrezno priloži VI)
- Priglašeni organ: KEMA, Arnhem, NL
Identifikacijska številka priglašene organa: 0344
- Raven oddajanja vibracij je bila izmerjena v skladu s standardiziranimi testi, navedenimi v EN 60335; uporabiti jo je mogoče za primerjavo različnih orodij med seboj in

- za predhodno primerjavo izpostavljenosti vibracijam pri uporabi orodja za namene, ki so omenjeni
- uporaba orodja za drugačne namene ali uporaba skupaj z drugimi, slabo vzdrževanimi nastavki lahko znatno **poveča** raven izpostavljenosti
- čas, ko je orodje izklopljeno ali ko teče, vendar z njim ne delamo, lahko znatno **zmanjša** raven izpostavljenosti
- ! **pred posledicami vibracij se zaščitite z vzdrževanjem orodja in pripadajočih nastavkov, ter tako, da so vaše roke tople, vaši delovni vzorci pa organizirani**

EST

Murutrimmer

0730

SISSEJUHATUS

- See tööriist on mõeldud muru ja umbruho lõikamiseks pöösaste alt ning servadelt, kuhu tavalise muruniidukiga ligi ei pääse
- Tööriist pole mõeldud professionaalseks kasutamiseks
- Kontrollige, kas pakend sisaldab kõiki joonisel ② näidatud osi
- Kui komplektist puudub mõni osa, võtke ühendust kohaliku edasimüüjaga
- **Enne seadme kasutamist lugege kasutusjuhend hoolikalt läbi ja hoidke see edaspidiseks alles** ③
- **Pöörake tähelepanu ohutusjuhistele ja hoiatustele; nende eiramine võib põhjustada raskeid vigastusi**

TEHNILISED ANDMED ①

SEADME OSAD ②

- A Kaitse
- B Juhtkäepide
- C Juhtmehoidik
- D Fikseerimisrõngas
- E Teleskoopтору
- F Päästiklüliti
- G Lõiketera kate
- H Nupp jõhvi pikendamiseks
- J Jõhvilõikur
- K Jõhvirulli kate
- L Ohutusavad
- M Hoidik (kruvid ei kuulu komplekti)
- N Hoiukonks

OHUTUS

MURUTRIMMERITE KOHTA KÄIVAD SPETSIIFILISED OHUTUSJUHISED

ÜLDIST

- Tutvuge juhisseadmete ja seadme nõuetekohase kasutamiseega
- Kasutaja vastutab õnnetuste ja teiste inimete või nende vara ohustamise eest
- Kasutage tööriista vaid ümbristes vahetemperatuurivahemikus 0 °C kuni 40 °C
- Ärge ühendage tööriista külge metallist lõikeelemente

INIMESTE TURVALISUS

- Seade ei ole mõeldud kasutamiseks isikutele (sh lastele), kellel on puudulikud füüsilised, sensoorsed või vaimsed võimed või kellel puudub kogemus ja teadmised, välja arvatud juhul, kuid nad töötavad nende ohutuse eest vastutava isiku järelevalve või juhendamise all
- Kindlustage, et lapsed ei mängiks seadmega
- Ärge lubage kunagi kasutada tööriista lastel või inimestel, kes pole tutvunud selle kasutusjuhistega
- **Hoidke sõrmed kaitse külge ehitatud jõhvi lõiketerast eemal**
- Hoidke käed ja jalad pügamise ajal lõikejoonest eemal, seda eriti tööriista käivitamisel
- Kandke seadme kasutamisel alati kaitseprille, pikki pükse ja turvajalatsid
- Ärge kasutage tööriista inimeste vahetus läheduses; inimeste (eriti laste) ja loomade läheduses lõpetage tööriista kasutamine
- Ärge kasutage tööriista, kui olete väsinud, haige, olete tarvitanud alkoholi või uimasteid

ELEKTRIOHUTUS

- Kontrollige alati, kas võrgupinge ühtib tööriista andesildil toodud pingega (andesildil toodud 230V või 240V korral võib tööriistad kasutada ka 220V võrgupinge puhul)
- Kontrollige juhete regulaarselt ja laske kahjustatud juhe ilmnenisel vastava kvalifikatsiooniga isikul välja vahetada
- Kontrollige pikendusjuhet regulaarselt ja kui juhe on vigastatud, vahetage see välja (**mittevastavad pikendusjuhtmed võivad olla ohtlikud**)
- Kasutage üksnes välitingimustes kasutamiseks ette nähtud pikendusjuhet, mis on varustatud veekindla pistikupesaga
- Pikendusjuhtmete kasutamisel jälgige, et juhe oleks lõpuni lahti keritud ja vastaks 16 A voolutugevusele
- Kui kasutate tööriista niiskes keskkonnas, kasutage rikkevoolukaitset (RCD), mille rakendusvool on maksimaalselt 30 mA
- Ärge komistage (pikendus)juhtme otsa, muljuge ega venitage seda
- Hoidke (pikendus)juhe eemal kuumusest, õlidest ja teravatest servadest
- **Hoidke (pikendus-) juhe pöörlevatest jõhvidest eemal**
- Lülitage alati seade välja ja ühendage see vooluvõrgust lahti, kui toitejuhe või pikendusjuhe on läbilõigatud, kahjustatud või sõlme läinud (**ärge puudutage juhete enne pistiku lahti ühendamist**)

ENNE KASUTAMIST

- Kasutage tööriista ainult päevavalguses või piisavas tehisvalguses
- Kontrollige tööriista funktsioneerimist enne kasutamist ja pärast tugevaid lööke ning laske see rikke korral viivitamatult remonditöökojas parandada (ärge kunagi avage tööriista ise)
- Enne kasutamist kontrollige tööala põhjalikult ja eemaldage sealt objektid, mille tööriist võib lõikamise ajal üles paisata (nagu kivid, lahtised puutükid jne)

KASUTAMISE AJAL

- Ärge kunagi kasutage kahjustatud toitejuhtmega tööriista; laske toitejuhe remonditöökojas välja vahetada

- Ärge kasutage tööriista, kui kaitse on kahjustatud või see pole paigaldatud
- **Pärast tööriista väljalülitamist pöörlevad jõhvid mõne sekundi jooksul edasi**
- Ärge lõigake muru, mis ei kasva maapinnal (nt seinadel või kividel)
- Ärge ületage teid ja kruusateid töötava tööriistaga
- Ärge laske oma tähelepanu kõrvale juhtida, pühenduge tööle
- Ühendage pistik järgmistel juhtudel alati vooluvõrgust lahti
 - kui jätate seadme järelevalveta
 - enne ummistuste eemaldamist
 - enne seadme kontrollimist, puhastamist või hooldamist
 - pärast võõrkeha tabamist
 - kui seade hakkab ebanormaalselt vibreerima
- Veenduge alati selles, et ventileerimisavad on prahist vabad

PÄRAST KASUTAMIST

- **Enne reguleerimist, jõhvirulli vahetamist, tööriista puhastamist või selle valveta jätmist lülitage tööriist alati välja ja eraldage see toiteallikast**
- Hoidke seadet **sisetingimustes**, kuivas ja suletud kohas, lastele kättesaamatult

TÖÖRIISTAL OLEVATE SÜMBOLITE SELGITUS

- ③ **Hoiatus!** Lugege kasutusjuhendit
- ④ Ärge jätke tööriista vihma kätte
- ⑤ Kandke kaitseprille
- ⑥ **Pöörake tähelepanu vigastusohule, mida põhjustab lendav prahh** (hoidke kõrvalseisjad tööalast ohutus kauguses)
- ⑦ kui juhe on kahjustatud või lõigatakse töö käigus läbi, eemaldage see viivitamatult pistikupesast
- ⑧ Topeltisolatsioon (maandusjuhe pole vajalik)

KASUTAMINE

- Kaitse ⑩
 - ühendage kaitse A ümarpea kruvidega, nagu joonisel näidatud
- ! **ärge kasutage tööriista, kui kaitse on ühendamata A**
- Käepideme paigaldamine/reguleerimine ⑪
 - ühendage käepide B 4 kruviga, nagu joonisele näidatud
- ! **pingutage kindlalt kõik 4 kruvi**
- Juhtmehoidik ⑫
 - kinnitage pikendusjuhtme silmus näidatud viisil üle hoidiku C
 - pikendusjuhtme kinnitamiseks tõmmake see pingule
- Kõrguse reguleerimine ⑬
 - Tööriista kõrguse reguleerimine nii, et käsi on muru pügamise ajal sirge
 - vabastage fikseerimisrõngas D ② seda päripäeva keerates
 - pikendage toru E ② soovitud pikkusele
 - pingutage fikseerimisrõngas D ② seda vastupäeva keerates
- Sisse/välja ⑭
 - tööriista sisselülitamiseks vajutage päästikut F
 - tööriista väljalülitamiseks vabastage päästikut F
- ! **pärast tööriista väljalülitamist jätkavad jõhvid paari sekundi vältel pöörlemist**

- enne tööriista uuesti käivitamist võimaldage jähvelid seisma jääda
- ! ärge lülitage tööriista kiiresti sisse ja välja
- Pügamine
 - ! enne tööriista kasutamist veenduge, et punane kate G ② on jõhvilõikurilt eemaldatud
 - ! veenduge, et pügataval alal pole kive, prahti ja muid võõrkehi
 - ! alustage pügamist alles siis, kui tööriist töötab täiskiirusel
 - alustage pügamist pistikupesast poolt ja liikuge sellest töötades eemale
 - pügage pikka muru kihtidena (alustage alati ülevalt)
 - pügage ainult jõhvi otsaga
 - ärge pügage niisket või märga muru
 - takistage pügatud murul jõhvirulli ummistamast (ärge sooritage raskeid löikeid)
 - vältige tööriista ülekoormamist
 - pügage puude ja põõsaste ümber ettevaatlikult, et need ei puutu jõhviga kokku
 - jõhvi liigse kulumise vältimiseks hoiduge tahketest objektidest eemale
 - arvestage tagasilööbiga, mis leiab aset, kui puutute vastu tahkeid objekte
- Tööriista hoidmine ja juhtimine ⑮
 - pika muru pügamiseks viibutage tööriistaga aeglaselt paremalt vasakule ja vastupidi
 - lühema muru pügamiseks kallutage tööriista, nagu joonisel näidatud
 - servade pügamiseks keerake tööriista 180°
 - tööriista kindlaks kontrollimiseks hoidke seda alati tugevalt kahe käega
 - hoidke stabiilset tööasendit
 - hoidke tööriista alati kehast eemal
- Jõhvi pikendamine ⑯
 - kui mootor töötab, koputage nupuga H kergelt vastu maapinda (eelistatavalt vastu kindlat pinda)
 - vabastatakse kaks jõhvi, mis lõigatakse jõhvilõikuriga J õigele pikkusele
 - ! enne tööriista kasutamist veenduge, et punane kate G ② on jõhvilõikurilt eemaldatud
 - ! hoiduge jõhvilõikuriga J enda vigastamise eest
 - pärast jõhvi pikendamist pöörake tööriist alati normaalsesse tööasendisse
 - täis lõikeringi säilitamiseks pikendage jõhve regulaarselt
 - kui mootor töötab koormuseta ja muru ei pügata, on jõhvid kulunud või katki; kerige jõhvirull uuesti või paigaldage uus rullisüsteem
- Jõhvirulli kerimine ⑰
 - Juhul, kui jõhv ei välju jõhvirulli katte K alt
 - ! lülitage seade välja ja eemaldage pistik pistikupesast
 - eraldage jõhvirullisüsteem tööriista küljest ja eemaldage rull katte K alt
 - kerige jõhvid tihedalt ja ühtlaselt noolega näidatud suunas
 - sisestage mõlemad jõhviotsad piludesse X ja veenduge, et need on kindlalt kinnitunud (jätke jõhvi pisavalt pikalt välja)
 - suunake mõlemad jõhviotsad läbi avade Y enne, kui jõhvirulli katte K alla asetate

! **veenduge, et rulli on kindlalt paigal, seejärel vabastage mõlemad jõhviotsad neid tugevalt tõmmates piludest X**

- paigaldage rullisüsteem tööriistale (**keerake rulli päripäeva, kuni see klõpsatusega kinnitub**) ⑱
- Jõhvirullisüsteemi tagasisetamine ⑱
 - ! lülitage seade välja ja eemaldage pistik pistikupesast
 - lihtsalt eemaldage/paigaldage vana/uus jõhvirullisüsteem, nagu joonisel näidatud
 - kasutage selle tööriistaga ainult SKIL jõhvirullisüsteemi 2610Z01354 (**mõne teise süsteemi kasutamisest tingitud rike ei ole garantiiga kaetud**)
 - pärast jõhvirullisüsteemi asendamist testige tööriista vähemalt ühe minuti vältel koormuseta, et veenduda, kas tööriist töötab korralikult

HOOLDUS/TEENINDUS

- Tööriist pole mõeldud professionaalseks kasutamiseks
- Enne puhastamist ja/või hooldamist eraldage tööriist toiteallikast
- Hoidke seade ja toitejuhe alati puhtad (eriti õhutusavad)
 - puhastage tööriista niiske lapiga (ärge kasutage puhastusvahendeid ega lahusteid)
 - puhastage jõhvilõikurit J ② ja kaitset A ② pärast iga kasutuskorda
 - puhastage ventilatsioonipilusid L ② regulaarselt harja või suruõhuga
- Kontrollige lõikepea olukorda ja kinnitusmutrite, -poltide ja -kruvide pingsust regulaarselt
- Kontrollige regulaarselt, kas komponendid on kulunud või kahjustatud; vajadusel parandage või asendage need
- Hoiustamine ⑲
 - hoidke seadet **sisetingimustes**, kuivas ja suletud kohas, lastele kättesaamatult
 - kinnitage hoidik horisontaalselt M nelja kruviga seina külge (**kruid ei kuulu komplekti**)
- Tööriist on hoolikalt valmistatud ja testitud; kui tööriist sellest hoolimata rikki läheb, tuleb see lasta parandada SKILI elektriiliste käsitööriistade volitatud remonditöökojas
 - toimetage **lahtimonteerimata** seade koos ostukviitungiga tarnijale või lähimasse SKILI lepingulisse töökotta (aadressid ja tööriista varuosade joonise leiata aadressil www.skil.com)

TÕRKEOTSING

- Järgmises loendis on toodud probleemide tunnused, võimalikud põhjused ja lahendused (kui järgnevad lahendused probleemi ei tuvasta ega lahenda, võtke ühendust edasimüüja või töökojaga)
 - ! **enne probleemi uurimist lülitage tööriist välja ja eemaldage see vooluvõrgust**
- ★ Seade ei tööta
 - toitepistikupesa on vigane -> kasutage teist pistikupesast
 - pikendusjuhe on kahjustatud -> asendage pikendusjuhe
- ★ Tööriist töötab katkendlikult
 - sisemine juhtmestik on vigane -> võtke ühendust müügiesindaja/remonditöökojaga

- sisse-/väljalülituslülitid on vigane -> võtke ühendust müügiesindaja/remonditöökojaga
- ★ Tööriist vibreerib ebanormaalselt
 - muru on liiga kõrge -> pügake kihiti
- ★ Tööriist ei löika
 - jõhv on liiga lühike/murdunu -> pikendage jõhvi käsitsti
- ★ Jõhvi ei saa pikendada
 - jõhvirull on tühi -> asendage jõhvirull
 - jõhv on rullis takerdunud -> kontrollige rulli; vajadusel kerige uuesti
- ★ Jõhvi ei löigata õigele pikkusele -> eemaldage jõhvilõikurilt kate
- ★ Jõhv murdub alatasa
 - jõhv on rullis takerdunud -> kontrollige rulli; vajadusel kerige uuesti
 - trimmerit kasutatakse valesti -> pügake ainult jõhvi otsaga; vältige kive, seinasid ja muid kõvasid objekte; pikendage jõhvi regulaarselt

KESKKOND

- **Ärge visake kasutuskõlbmatuks muutunud elektrilisi tööriistu, lisatarvikuid ja pakendeid ära koos olmejäätmetega** (üksnes EL liikmesriikidele)
 - vastavalt Euroopa Parlamendi ja nõukogu direktiivile 2012/19/EÜ elektri- ja elektroonikaseadmete jäätmete kohta ning direktiivi nõuete kohaldamisele liikmesriikides tuleb kasutuskõlbmatuks muutunud elektrilised tööriistad koguda eraldi ja keskkonnasäästlikult korduvkasutada või ringlusse võtta
 - seda meenutab Teile sümbol ⑨

VASTAVUSDEKLARATSIOON C E

- Kinnitame ainuvastutajana, et punktis "Tehnilised andmed" kirjeldatud toode vastab järgmistele standarditele või normdokumentidele: EN 60335, EN 61000, EN 55014 vastavalt direktiivide 2006/95/EÜ, 2004/108/EÜ, 2006/42/EÜ, 2000/14/EÜ, 2011/65/EL nõuetele
- **Tehniline toimeik saadaval aadressil:** SKIL Europe BV (PT-SEU/ENG1), 4825 BD Breda, NL

Marijn van der Hoofden Olaf Dijkgraaf
Operations & Engineering Approval Manager




SKIL Europe BV, 4825 BD Breda, NL

19.12.2013

C E 10

MÜRA/VIBRATSIOON

- Vastavalt kooskõlas normiga EN 60335 läbi viidud mõõtmistele on tööriista helirõhk 70 dB(A) ja helitugevus 90 dB(A) (standardkõrvalekalle: 3 dB), ja vibratsioon <2,5 m/s² (käärandme-meetod: mõõtemääramatus K = 1,5 m/s²)
- Garanteeritud müratase LWA, mis on mõõdetud vastavalt standardile 2000/14/EÜ (EN/ISO 3744) on väiksem kui 93 dB(A) (vastavuse hindamise meetod vastavalt lisale VI)
- Registreeritud asutus: KEMA, Arnhem, NL
- Registreeritud asutuse identifitseerimisnumber: 0344

- Tekkiva vibratsiooni tase on mõõdetud vastavalt standardis EN 60335 kirjeldatud standarditud testile; seda võib kasutada tööriistade võrdlemiseks ja tööriista kasutamisel ettenähtud töödeks esineva vibratsiooni esialgseks hindamiseks
 - tööriista kasutamisel muudeks rakendusteks või teiste/ halvasti hooldatud tarvikute kasutamisel võib vibratsioon märkimisväärselt **suurened**
 - ajal, kui tööriist on väljalülitatud või on küll sisselülitatud, kuid tegelikult seda ei kasutata, võib vibratsioon märkimisväärselt **vähened**
- ! **enda kaitsmiseks vibratsiooni eest hooldage tööriista ja selle tarvikuid korralikult, hoidke oma käed soojad ja tagage sujuv töökorraldus**

LV

Auklas trimmeris

0730

IEVADS

- Šis instruments ir paredzēts zāles un nezāļu plaušanai zem krūmiem, kā arī uz nogāzēm un pie apmalēm, kurām nevar piekļūt ar zāles plāvēju
- Šis instruments nav paredzēts profesionālai lietošanai
- Pārbaudiet vai iepakojums satur visas daļas, kā tas parādīts zīmējumā ②
- Ja kāda no plāvēja daļām trūkst vai ir bojāta, lūdzu, sazinieties ar savu izplatītāju
- **Pirms lietošanas rūpīgi izlasiet šos norādījumus un saglabājiet to vēlākai uzziņai** ③
- **Stingri ievērojiet drošības instrukcijas un brīdinošos norādījumus, jo pretējā gadījumā jūs riskējat gūt smagu savainojumu**

TEHNISKIE PARAMETRI ①

INSTRUMENTA ELEMENTI ②

- A Plaušanas aizsargs
- B Vadības rokturis
- C Vada ierobežotājs
- D Fiksējošā uzmvava
- E Teleskopiskā caurule
- F Ieslēgšanas slēdzis
- G Griešanas asmeņu apvalks
- H Auklas padeves poga
- J Auklas nogriešanas asmens
- K Spoles apvalks
- L Ventilācijas atveres
- M Uzglabāšanas statni (skrūves netiek piegādātas)
- N Āķis uzglabāšanai

DROŠĪBA

ĪPAŠĀS DROŠĪBAS INSTRUKCIJAS AUKLAS TRIMMERIEM

VISPĀRĒJIE DROŠĪBAS NOTEIKUMI

- Iepazīstieties ar instrumenta vadību un pareizu lietošanu
- Lietotājs ir atbildīgs par negadījumiem vai apdraudējumiem, kas notiek ar citiem cilvēkiem vai viņu mantu

- Instrumentu lietojiet tikai pie temperatūras no 0°C līdz 40°C
- Neuzstādiēt uz šī instrumenta metāla griežņus

PERSONISKĀ DROŠĪBA

- Šis instruments nav paredzēts ekspluatēt personām (tostarp bērniem) ar ierobežotām fiziskām, uztveres vai garīgām spējām, kā arī tiem, kuriem nav vajadzīgās pieredzes un zināšanu, ja vien persona, kas atbild par drošību, viņus neuzrauga vai nesniedz norādījumus par šī instrumenta lietošanu
- Uzmaniet, lai bērni nespēlēt ar šo instrumentu
- Neļaujiet bērniem vai personām, kas nav iepazīnušas ar lietošanas instrukcijām, izmantot šo instrumentu
- Turiet pirkstus drošā attālumā no auklas nogriešanas asmeņa, kas atrodas zem griešanas aizsarga**
- Plāujot, turiet rokas un kājas drošā attālumā no griešanas auklas, īpaši, kad ieslēdzat instrumentu
- Darbinot instrumentu, vienmēr valkājiet aizsargbrilles, garas bikses un stingrus apavus
- Nedarbiniet instrumentu, ja tiešā tuvumā ir personas; pārtrauciet lietot instrumentu, kamēr tuvumā ir personas (īpaši bērni) vai mājdzīvnieki
- Nedarbiniet instrumentu, kad esat noguris, slims, alkohola vai citu narkotisku vielu reibumā

ELEKTRODROŠĪBA

- Vienmēr pārliecinieties, ka spriegums, kas uzrādīts uz instrumenta marķējuma plāksnītes, atbilst padeves spriegumam elektrotīklā (230V vai 240V spriegumam paredzētie instrumenti var darboties arī no 220V elektrotīkla)
- Periodiski pārbaudiet kabeli un, atklājot bojājumu, tā nomaiņu drīkst veikt tikai pieredzējis speciālists
- Periodiski pārbaudiet pagarinātāja vadu un nomaiņiet to, ja tas bojāts (**nepiemērots pagarinājuma vads var būt bīstams**)
- Lietojiet tikai pagarinātāja vadu, kas paredzēts izmantošanai ārpus telpām un aprīkots ar ūdensnecaurlaidīgu spraudni un sakābes kontaktlīdzu
- Lietojiet pilnīgi atfittus un drošus pagarinātājkabeļus, kas paredzēti 16 A strāvai
- Kad darbarīks darbojas mitrā vidē, lietojiet strāvas noplūdes drošinātāju (RCD) ar 30 mA maksimālo atslēgšanas strāvu
- Nedrīkst (pagarinājuma) vadam braukt pāri, nedrīkst to saspīst vai izvilk
- Sargājiet (pagarinājuma) vadu no karstuma, eļļas un asām apmalēm
- Turiet (pagarinājuma) vadu drošā attālumā no rotējošām griešanas auklām**
- Vienmēr izslēdziet instrumentu un atvienojiet kontaktdakšu no strāvas avota, ja barošanas vads vai pagarinātājs ir sagriezti, bojāti vai sapinušies (**nepieskarieties kabeli pirms atvienota kontaktdakša**)

PIRMS DARBA UZSĀKŠANAS

- Izmantojiet instrumentu tikai dienasgaismā vai piemērotā maksimālā apgaismojumā
- Ik reizi pirms instrumenta izmantošanas un pēc katra trieciņa pārbaudiet tā darbību; konstatējot bojājumu, nekavējoties nododiet to kvalificētam speciālistam remonta veikšanai (neatveriet instrumenta korpusu paša spēkiem)

- Pirms lietošanas rūpīgi pārbaudiet griešanas zonu un novāciet katru priekšmetu, ko instruments var aizķert griešanas laikā (piemēram, akmeņi, atsevišķi koka gabali, u.c.)

DARBA LAIKĀ

- Neizmantojiet instrumentu, ja tam ir bojāts elektrokabelis; tā nomaiņu drīkst veikt tikai pieredzējis speciālists
- Nedarbiniet instrumentu, ja griešanas aizsargs ir bojāts vai griešanas aizsargs nav uzstādīts
- Griešanas auklas zināmu laiku turpina griezties arī pēc instrumenta izslēgšanas**
- Neļaujiet zāli, kas nav uz zemes (piem. uz sienām vai klīntīm)
- Nešķērsojiet ceļu vai grantētu ceļiņu ar ieslēgtu instrumentu
- Neļaujiet novērst uzmanību un vienmēr koncentrējieties uz to, ko jūs darāt
- Vienmēr atvienojiet kontaktdakšu no strāvas avota
 - kad atstājat instrumentu bez uzraudzības
 - pirms iesprūduša materiāla tīrīšanas
 - pirms pārbaudes, tīrīšanas vai darbībām ar instrumentu
 - pēc trieciņa pa svešķermeņi
 - kad instruments sāk pārmērīgi vibrēt
- Vienmēr pārliecinieties, ka ventilācijas atveres ir tīras no gružiem

PĒC DARBA PABEIGŠANAS

- Vienmēr izslēdziet instrumentu un atvienojiet kontaktdakšu no strāvas avota pirms veikt regulēšanu, spoles maiņu vai atstāt instrumentu uz laiku bez uzraudzības**
- Uzglabājiet instrumentu telpās sausā, augstu izvietotā vietā, kur tas nav pieejams bērniem

UZ INSTRUMENTA ATTĒLOTO SIMBOLU SKAIDROJUMS

- 3** Būvniecība! Izlasiet lietošanas instrukciju
- 4** Neatstājiet instrumentu lietū
- 5** Darba laikā uzvelciet aizsargbrilles
- 6** **Pievērsiet uzmanību savainošanās briesmām, ko rada apkārtlietojošās atdalujušās daļiņas** (klātesošajiem jāatrodas drošā attālumā no darba zonas)
- 7** Nekavējoties atvienojiet spraudni, ja strādājot (pagarinājuma) vads tiek bojāts vai sagriezts
- 8** Divkārsa izolācija (nav jālieto zemējuma vads)

DARBS

- Griešanas aizsargs ¹⁰
 - griešanas aizsarga uzstādīšana A ar komplektā iekļauto apaļo galvas skrūvi, kā parādīts
 - ! nelietojiet instrumentu bez griešanas aizsarga A**
- Uzstādīšanas/regulēšanas vadības rokturis ¹¹
 - uzstādīšanas vadības rokturis B ar komplektā iekļautām 4 skrūvēm, kā parādīts
 - ! stingri pievelciet visas 4 skrūves**
- Vada ierobežotājs ¹²
 - satver aiz pagarinātāja vada cilpas fiksētājā C, kā parādīts
 - stingri pievelciet, lai pagarinātāja vadu nostiprinātu
- Augstuma regulēšana ¹³

Instrumenta augstuma regulēšanai, lai jūsu priekšējā roka plāujot būtu taisna

 - atbrīvojiet fiksējošo uzvāzmu D ² to pagriežot pulksteņrādītāja virzienā
 - pagariniet cauruli E ² līdz vēlamajam augstumam

- nostipriniet fiksējošo uznavu D ② to pagriežot pretēji pulksteņrādītāja virzienam
- Ieslēgšana/izslēgšana ⑭
 - ieslēdziet instrumentu, nospiežot ieslēdzēju F
 - izslēdziet instrumentu, atlaižot ieslēdzēju F
 - ! **pēc instrumenta izslēgšanas griešanas auklas turpina dažas minūtes rotēt**
 - ļaujiet griešanas auklām beigt rotēt, pirms atkal ieslēgt
 - ! **ieslēgt un izslēgt nedrīkst strauji**
- Pļaušana
 - ! **pirms instrumenta lietošanas pārliecinieties, ka sarkanais apvalks G ② ir noņemts no auklas nogriešanas asmeņa**
 - ! **pārliecinieties, ka griešanas zonā nav akmeņu, grūžu un citu svešķermeņu**
 - ! **sāciet pļaušanu tikai tad, kad instruments darbojas pilnā ātrumā**
 - sāciet apgrīšanu kontaktligzdas tuvumā un strādājot virzieties no tās projām
 - garu zāli pļaujiet slāņos (vienmēr sāciet no augšas)
 - pļaujiet tikai ar griešanas auklas galu
 - mitru vai slapju zāli nedrīkst pļaut
 - novērsiet spoles nosprostošanos ar nopļauto zāli (neveiciet liela apjoma plāvumus)
 - nepārslodojiet instrumentu
 - ap kokiem un krūmiem pļaujiet uzmanīgi, lai tie nenonāktu kontaktā ar griešanas auklām
 - turiet instrumentu drošā attālumā no cietiem priekšmetiem, lai pasargātu griešanas auklas no pārlieku nodiluma
 - ņemiet vērā atsitienu spēku, kas rodas, pieskaroties cietiem priekšmetiem
- Instrumenta turēšana un vadīšana ⑮
 - pļaujot garu zāli, lēnām šūpojiet instrumentu no labās uz kreiso pusi un otrādi
 - pļaujot īsāku zāli, pielieciet instrumentu, kā parādīts
 - pagrieziet instrumentu pa 180°, pļaujot apmales
 - lai instrumentu varētu droši vadīt, turiet to stingri ar abām rokām
 - saglabājiet stabili darba stāvokli
 - turiet instrumentu vienmēr drošā attālumā no ķermeņa
- Auklas padeve ⑯
 - piespiediet pogu H viegli pie zemes (ieteicams pret cietu virsmu), kamēr dzinējs darbojas
 - divas griešanas auklas tiks atlaistas un auklas nogriešanas asmens J tās nogriezīs pareizā garumā
 - ! **pirms instrumenta lietošanas pārliecinieties, ka sarkanais apvalks G ② ir noņemts no auklas nogriešanas asmeņa**
 - ! **uzmanieties no savainošanās ar auklas nogriešanas asmeni J**
 - pēc auklas padeves atgrieziet instrumentu normālā darba stāvoklī un tikai tad ieslēdziet
 - auklu padevi veiciet regulāri, lai uzturētu pilnu griešanas ciklu
 - ja dzinējs darbojas bez slodzes un zāle netiek pļauta, griešanas auklas nolieciet vai plīst; pārtiniet spoli vai nomainiet spoles aprīkojumu

- Spoles pārtīšana ⑰
 - Gadījumā, ja griešanas auklas nav izvīrītas no spoles apvalka K
 - ! **izslēdziet instrumentu un atvienojiet to no strāvas kontaktligzdas**
 - noņemiet spoles aprīkojumu no instrumenta un izņemiet spoli no spoles apvalka K
 - cieši pārtiniet cieši griešanas auklas vienādos slāņos bultiņas virzienā
 - ievietojiet abas auklas instrumenta atverē X un pārliecinieties, ka tās ir droši nostiprinātas (atstājiet auklu pietiekamā garumā)
 - pirms ievietot pārtīto spoli spoles apvalkā K, izveriet abas auklas caur spoles caurumiem Y
 - ! **pārliecinieties, ka spole ir droši nostiprināta vietā, tad, stingri velkot, atļaidiet abas auklas no atverēm X**
 - uzstādiat spoles sistēmu uz instrumenta (**pagrieziet spoli pulksteņa rādītāja virzienā, līdz tā nofiksējas vietā**) ⑱
- Spoles aprīkojuma nomainīšana ⑲
 - ! **izslēdziet instrumentu un atvienojiet to no strāvas kontaktligzdas**
 - vienkārši noņemiet/uzstādiat veco/jauno spoles aprīkojumu, kā parādīts
 - ar šo instrumentu lietojiet tikai SKIL spoles sistēmu 2610Z01354 (**bojājumi, kas radīsies, izmantojot citas spoļu sistēmas, neietilpst garantijā**)
 - pēc spoles aprīkojuma maiņas pārbaudiet instrumentu vismaz vienu minūti bez slodzes, lai pārliecinātos, ka instruments darbojas pareizi

APKALPOŠANA / APKOPE

- Šis darbarīks nav paredzēts profesionālai lietošanai
- **Pirms tīrīšanas un/vai apkopes, vienmēr atvienojiet kontaktdakšu no strāvas avota**
- Uzturiet tīru instrumentu un elektrokabeli (īpaši ventilācijas atveres)
 - tīriet instrumentu ar mitru drāniņu (nelietojiet tīrīšanas līdzekļus vai šķīdinātājus)
 - tīriet auklas nogriešanas asmeni J ② un griešanas aizsargu A ② pēc katras lietošanas
 - ventilācijas atveres L ② regulāri tīriet ar suku vai saspiesta gaisa strūklu
- Regulāri pārbaudiet griešanas galvas stāvokli un uzgriežņu, bultskrūvju un skrūvju stiprību
- Regulāri pārbaudiet, vai kādas detaļas nav bojātas un, ja nepieciešams, tās salabojiet/nomainiet
- Uzglabāšana ⑲
 - uzglabājiet instrumentu **telpās** sausā, augstu izvietotā vietā, kur tas nav pieejams bērniem
 - nostipriniet uzglabāšanas statni M pie sienas ar 4 skrūvēm (**netiek piegādātas**) un horizontāli līmenī
- Ja, neraugoties uz augsto izgatavošanas kvalitāti un rūpīgo pēcražošanas pārbaudi, instruments tomēr sabojājas, tas jānogādā remontam firmas SKIL pilnvarotā elektroinstrumentu remonta darbnīcā
 - nogādājiet instrumentu **neizjauktā veidā** kopā ar iegādes dokumentiem tuvākajā tirdzniecības vietā vai firmas SKIL pilnvarotā piegādes apkalpošanas un remonta iestādē (adreses un instrumenta apkalpošanas shēma ir sniegta interneta vietnē www.skil.com)

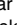
TRAUCĒJUMU NOVĒRŠANA

- Šajā sarakstā ir uzskaitītas problēmas, iespējamie cēloņi un korektīvie pasākumi (ja tās nevar atklāt un novērst šo problēmu, sazinieties ar izplatītāju vai tehniskās apkopes staciju)

! pirms sākt problēmas izpēti, izslēdziet instrumentu un atvienojiet spraudni

- ★ Instruments nedarbojas
 - bojāta strāvas padeves kontaktligzda -> lietojiet citu kontaktligzdu
 - bojāts pagarinājuma vads -> nomainiet pagarinājuma vadu
- ★ Darbarīks strādā ar pārtraukumiem
 - defekts iekšējā vadojumā -> sazinieties ar izplatītāju/tehniskās apkopes staciju
 - defekts ieslēgšanas/izslēgšanas slēdzī -> sazinieties ar izplatītāju/tehniskās apkopes staciju
- ★ Instruments pārmērīgi vibrē
 - zāle par garu -> plaujiet pa posmiem
- ★ Instruments negriež
 - aukla par īsu/pārtrūkusi -> veiciet manuālu auklas padevi
- ★ Auklas padevi nevar veikt
 - spole tukša -> nomainiet spoli
 - aukla sapinusies spoles iekšpusē -> pārbaudiet spoli; pārtiniet, ja nepieciešams
- ★ Aukla nav nogriezta pareizā garumā -> noņemiet apvalku no griešanas asmeņa
- ★ Aukla turpina plīst
 - aukla sapinusies spoles iekšpusē -> pārbaudiet spoli; pārtiniet, ja nepieciešams
 - trimmeris tiek lietots nepareizi -> plaujiet tikai ar auklas galu; izvairieties no akmeņiem, sienām un citiem cietiem priekšmetiem; auklas padevi veiciet regulāri

APKĀRTĒJĀS VIDES AIZSARDZĪBA

- **Neizmetiet elektroiekārtas, piederumus un iesaiņojuma materiālus sadzīves atkritumos** (tikai ES valstīm)
 - saskaņā ar Eiropas Savienības direktīvu 2012/19/ES par nolietotajām elektriskajām un elektroniskajām iekārtām un tās atspoguļojumiem nacionālajā likumdošanā, nolietotās elektroiekārtas ir jāsavāc, jāizjauca un jānogādā atseizīgai pārstrādei apkārtējai videi nekaitīgā veidā
 - īpašs simbols  atgādina par nepieciešamību izstrādājumus utilizēt videi nekaitīgā veidā

ATBILSTĪBAS DEKLARĀCIJA

- Mēs ar pilnu atbildību paziņojam, ka sadaļā "Tehniskie parametri" aprakstītais izstrādājums atbilst šādiem standartiem vai normatīvajiem dokumentiem: EN 60335, EN 61000, EN 55014, kā arī direktīvām 2006/95/EK, 2004/108/EK, 2006/42/EK, 2000/14/EK, 2011/65/ES

- **Tehniskā dokumentācija no:** SKIL Europe BV (PT-SEU/ENG1), 4825 BD Breda, NL

Marijn van der Hoofden
Operations & Engineering

Olaf Dijkgraaf
Approval Manager



SKIL Europe BV, 4825 BD Breda, NL

19.12.2013

CE10

TROKSNIS/VIBRĀCIJA


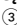
- Saskaņā ar standartu EN 60335 noteiktais instrumenta radītā trokšņa skaņas spiediena līmenis ir 70 dB(A) un skaņas jaudas līmenis ir 90 dB(A) (pie tipiskās izkliedes 3 dB), un vibrācijas paātrinājums ir <2,5 m/s² (roku-delnu metode; izkliede K = 1,5 m/s²)
- Mērīts saskaņā ar Direktīvu 2000/14/EK (EN/ISO 3744) garantētais skaņas jaudas līmenis LWA ir zemāks nekā 93 dB (A) (atbilstība ir noteikta saskaņā ar pielikumu VI) Pilnvarotā iestāde : KEMA, Arnhem, NL
Pilnvarotās iestādes identifikācijas numurs : 0344
- Vibrācijas līmenis ir noteikts, izmantojot standartā EN 60335 paredzēto procedūru; to var izmantot, lai salīdzinātu instrumentus un provizoriski izvērtētu vibrācijas iedarbību, lietojot instrumentu minētajiem mērķiem
 - instrumenta izmantošana citiem mērķiem vai ar citiem vai nepietiekami kopīgiem piederumiem var ievērojami palielināt kopējo vibrācijas iedarbības pakāpi
 - laika periodi, kad instruments ir izslēgts vai arī ir ieslēgts, taču darbs ar to nenotiek, var ievērojami samazināt kopējo vibrācijas iedarbības pakāpi
- ! **pasargājiet sevi no vibrācijas iedarbības, veicot instrumenta un tā piederumu tehnisko apkopi, novērstot roku atdzišanu un pareizi organizējot darbu**



Žoliapjovē

0730

ĪVADAS

- Šis prietaiss skirtas žolei ir piktzolēms pjauti po krūmais, ant šlaitu ir pakračīju, kur nepasiekia vejapjovē
- Šis prietaiss neskirtas profesionaliam naudojimui
- Tikrinkite, ar pakuoteje yra visos dalys, vaizduojamos 
- pav
- Jei trūksta dalių arba jos yra pažeistos, susisiekieta su savo pardavėju
- **Atidžiai perskaitykite šį vartotojo vadovą ir išsaugokite jį ateičiai** 
- **Ypatingą dėmesį atkreipkite į saugos instrukciją nuorodą bei įspėjamuosius užrašus; jei nepaisysite šių nuorodų, gali kilti sunkių sužeidimų pavojus**

TECHNINIAI DUOMENYS ①

PRIETAISO ELEMENTAI ②

- A Apsauga
- B Kreipiamoji rankena
- C Laido laikiklis
- D Užraktinis žiedas
- E Teleskopinis vamzdis
- F Gaiduko jungiklis
- G Geležinės gaubtelis
- H Valo tiekimo mygtukas
- J Valą pjaunanti geležtė
- K Rites gaubtelis
- L Ventilacinės angos
- M Pakaba (varžtai nepateikiami)
- N Kablys

SAUGA

SPECIALŪS DARBO ŽOLIAPJOVĖMIS SAUGOS NURODYMAI

BENDROJI DALIS

- Išsiaiškinkite prietaiso valdiklius ir tinkamą paskirtį
- Už nelaimingus atsitikimus ir kitų žmonių sveikatai ar turtui padarytą žalą atsako prietaiso naudotojas
- Prietaisą naudokite tik 0–40 °C aplinkos temperatūroje
- Draudžiama šime prietaise montuoti metalinius pjaunamuosius elementus

ŽMONIŲ SAUGA

- Šis prietaisas nėra skirtas naudotis asmenims (įskaitant vaikus), kurie turi menkus fizinius, jutimų ar psichikos sugebėjimus arba kurie stokoja patirties ir žinių; tokius asmenis turi prižiūrėti už jų saugą atsakingas asmuo arba jis turi jiems suteikti instrukcijas dėl prietaiso naudojimo
- Pasirūpinkite, kad vaikai nežaistų su prietaisu
- Neleiskite prietaiso naudoti vaikams ar asmenims, kurie nežino jo naudojimo instrukcijų
- **Pirštais nelieskite apsaugoje įtaisytos valo pjovimo geležtės**
- Dirbdami žoliapjovje, ypač – įjungdami, saugokite plaštakas ir pėdas nuo valo
- Dirbdami prietaisu, būtinai dėvėkite apsauginius akinus, vilkėkite ilgas kelnes, avėkite tvirtus batus
- Draudžiama prietaisu dirbti, kai šalia yra žmonių; jei greta yra žmonių (ypač vaikų) ar gyvūnų, nustokite dirbti prietaisu
- Draudžiama prietaisu dirbti pavargus, sergant, apsvaigus nuo alkoholio ar kitų svaigųjų medžiagų

ELEKTROSAUGA

- Visada patikrinkite, ar elektros tinklo įtampa sutampa su įtampos dydžiu, nurodytu prietaiso vardinėje lentelėje (prietaisus su nurodyta įtampa 230V ir 240V galima jungti į 220V įtamos elektros tinklą)
- Periodiškai tikrinkite kabelius ir pažeistus kabelius turi pakeisti kvalifikuotas elektrikas
- Periodiškai tikrinkite ir, jei sugadintas, keiskite ilginamąjį kabelį (naudoti netinkamos būklės ilginamuosius kabelius gali būti pavojinga)
- Naudokite tik lauko darbams skirtus ilginamuosius kabelius su vandeniui nelaidžiais kištukais ir lizdais

- Naudodami ilginamuosius kabelius atkreipkite dėmesį į tai, kad kabelis būtų iki galo išvyniotas ir būtų pritaikytas 16 A elektros srovei
- Jei prietaisu dirbate drėgnoje aplinkoje, naudokite liekamosios srovės prietaisą (RCD), kurio suveikimo srovės stiprumas ne didesnis kaip 30 mA
- Laido (ir ilginamojo kabelio) nespauskite, netraukite, ant jo nelipkite ir nevažiuokite
- Laidą (ir ilginamąjį kabelį) saugokite nuo karščio, tepalų ir aštrių briaunų
- **Saugokite, kad besisukančiu pjaunamuoju valu neužkliudytumėte laido ar ilginamojo kabelio**
- Jei maitinimo laidas arba ilginamasis kabelis įpjautas, pažeistas arba susipainiojęs, būtinai išjunkite prietaisą ir ištraukite maitinimo laido kištuką iš elektros tinklo lizdo (**prieš ištraukdami kištuką nelieskite kabelio**)

PRIEŠ EKSPLOATACIJĄ

- Prietaisu dirbkite tik šviesiuoju paros metu ar esant pakankamam dirbtiniam apšvietimui
- Prieš kiekvieną naudojimą ir po smūgio ar sukretimo tikrinkite, ar prietaisas nepriekaištingai veikia; atsiradus gedimui, kreipkitės į kvalifikuotą specialistą (prietaiso niekada neardykite patys)
- Prieš pradėdami darbą atidžiai apžiūrėkite pjovimo vietaį ir pašalinkite visus pašalinius daiktus, kurios dirbant prietaisas galėtų nusviesti (pavyzdžiui, akmenis, palaidas šakales ar medžio gabaliukus ir t. t.)

EKSPLOATACIJA

- Prietaisą su pažeistu kabeliu naudoti draudžiama; jį turi pakeisti kvalifikuotas elektrikas
- Draudžiama prietaisu dirbti, jei sugadinta arba neuždėta apsauga
- **Išjungus prietaisą, valas dar kurį laiką sukasi**
- Nepjaukite žolės, jei ji auga ne žemėje (pavyzdžiui, ant sienų ar akmenų)
- Veikiančiu įrankiu nekirskite kelių ar žvyruotų takelių
- Nesiblaškykite ir visada sutelkite dėmesį į atliekamą darbą
- Būtinai ištraukite kištuką iš elektros tinklo lizdo
 - prieš palikdami prietaisą be priežiūros
 - prieš valydami įstrigusias medžiagas
 - prieš prietaisą tikrindami, valydami ar tvarkydami
 - atsitrenkę į pašalinį daiktą
 - prietaisui pradėjus neįprastai vibruoti
- Būtinai pasirūpinkite, kad vėdinimo angos nebūtų užkimštos šiukšlių

PO EKSPLOATACIJOS

- **Prieš reguliuodami, keisdami rites, valydami ar palikdami ilgesniam laikui, būtinai išjunkite prietaisą ir ištraukite maitinimo laido kištuką iš elektros tinklo lizdo**
- Laikykite prietaisą **patalpoje**, sausoje ir rakinamoje, vaikams neprieinamoje vietoje

ANT PRIETAISO ESANČIŲ SIMBOLIŲ REIKŠMĖS

- ③ **Įspėjimas!** Perskaitykite instrukciją
- ④ Nepalikite prietaiso lietuje
- ⑤ Užsidėkite apsauginius akinius
- ⑥ **Paisykite skriejančių šiukšlių keliamo pavojaus sveikatai** (pasirūpinkite, kad žmonės būtų saugiu atstumu nuo darbo zonos)
- ⑦ Jei dirbdami pažeidėte ar įpjovėte laidą (ilginamąjį kabelį), tuojau pat ištraukite kištuką iš laido
- ⑧ Dviguba izoliacija (įžeminimo laido nereikia)

NAUDOJIMAS

- Apsauga ¹⁰
 - kaip vaizduojama paveiksle, pateikiamu varžtu apvalia galvute pritvirtinkite apsaugą A
 - ! **draudžiama naudoti prietaisą be apsaugos A**
- Kreipiamosios rankenos tvirtinimas ir reguliavimas ¹¹
 - kaip vaizduojama paveiksle, keturiais pateikiamais varžtais pritvirtinkite kreipiamąją rankeną B
 - ! **tvirtai priveržkite visus 4 varžtus**
- Laido laikiklis ¹²
 - kaip vaizduojama paveiksle, ilginamojo kabelio kilpą permeskite per laikiklį C
 - tvirtai patraukdami, įtvirtinkite ilginamąjį kabelį
- Aukščio reguliavimas ¹³

Reguluoti tokį prietaiso aukštį, kad pjaunant priekinė ranka būtų tiesi

 - sukdami pagal laikrodžio rodyklę, atleiskite užraktinį žiedą D ²
 - kiek reikia ištraukite vamzdį E ²
 - sukdami prieš laikrodžio rodyklę, užveržkite užraktinį žiedą D ²
- Įjungimas/išjungimas ¹⁴
 - įjunkite prietaisą paspausdami gaiduko jungiklį F
 - išjunkite prietaisą atleisdami gaiduko jungiklį F
 - ! **išjungus prietaisą, valas dar keletą sekundžių sukasi**
 - prieš vėl įjungdami palaukite, kol valas sustos
 - ! **greitai paeilui neįjunkite ir neišjunkite prietaiso**
- Pjovimas
 - ! **prieš pradėdami dirbti prietaisu pasirūpinkite, kad nuo valo pjovimo geležtės būtų nuimtas raudonas gaubtelis G ²**
 - ! **pasirūpinkite, kad pjovimo vietoje nebūtų akmenų, šiukšlių ir kitų pašalinių daiktų**
 - ! **pjauti pradėkite tik prietaisui įsibėgėjus iki didžiausio greičio**
 - pradėkite karpyti arti elektros tinklo lizdo ir dirbdami nuo jo tolkite
 - aukštą žolę pjaukite per keletą kartų (pradėkite tik nuo viršaus)
 - pjaukite tik valo galiuku
 - nepjaukite drėgnos arba šlapios žolės
 - pasirūpinkite, kad nupjauta žolė neužkimštų ritės (nepjaukite po daug)
 - neperkraukite prietaiso
 - aplink medžius ir krūmus pjaukite atsargiai, kad jų neužkliudytumėte valų
 - kad valas pernelyg greitai nesidėvėtų, prietaisą laikykite atokiau nuo kietų daiktų
 - nepamirškite, kad palietus kietus daiktus atatrunkos jėga gali blokuoti prietaisą atgal
- Prietaiso laikymas ir valdymas ¹⁵
 - pjaudami aukštą žolę, lėtai vedžiokite prietaisą iš dešinės į kairę ir atgal
 - pjaudami žemesnę žolę, prietaisą paverskite, kaip vaizduojama paveiksle
 - pjaudami kraštus, pasukite įrankį 180° kampu
 - prietaisą visuomet laikykite abiem rankomis, kad dirbdami galėtumėte jį kontroliuoti
 - dirbdami stovėkite tvirtai
 - prietaisą visada laikykite atokiau nuo kūno

- Valo tiekimas ¹⁶
 - varikliui veikiant, mygtuką H lengvai spustelėkite į žemės paviršų (geriausia – į kietą paviršų)
 - išstumiami du pjaunamieji valai, kurie iki reikiamo ilgio patrupinami į valo pjovimo geležtę J
 - ! **prieš pradėdami dirbti prietaisu pasirūpinkite, kad nuo valo pjovimo geležtės būtų nuimtas raudonas gaubtelis G ²**
 - ! **saugokitės, kad neįsijautumėte į valo pjovimo geležtę J**
 - baigę tiekti valą, prieš įjungdami būtinai nustatykite prietaisą įprastinės darbo padėties
 - kad prietaisas optimaliai pjautų, reguliariai atlikite valo tiekimo procedūrą
 - jei variklis veikia be apkrovos ir nepjaunama žolė, vadinasi, valas nusidėvėjęs arba nutrukęs; pervyniokite valą ant ritės arba keiskite ritės sistemą
- Ritės pervyniojimas ¹⁷

Jei valo galiukai nekyšo iš ritės gaubtelio K

 - ! **išjunkite prietaisą ir ištraukite kištuką iš lizdo**
 - nuo prietaiso nuimkite ritės sistemą ir iš ritės gaubtelio K išimkite ritę
 - rodyklės kryptimi vienodais sluoksniais standžiai pervyniokite abi valo atkarpas
 - abi valo atkarpas įsprauskite į ritės plyšius X, kad valas būtų patikimai įtvirtintas (palikite pakankamai valo)
 - prieš įdėdami pervyniotą ritę į gaubtelį K, abiejų valo atkarpų galus perkiškite per ritės angas Y
 - ! **pasirūpinkite, kad ritė būtų patikimai įtvirtinta savo vietoje, tada tvirtai patraukdami ištraukite abi valo atkarpas iš plyšių X**
 - uždėkite ritės sistemą ant prietaiso (**sukite ritę pagal laikrodžio rodyklę, kol ji spragtelėdama užsifiksuos**) ¹⁸
- Ritės sistemos keitimas ¹⁸
 - ! **išjunkite prietaisą ir ištraukite kištuką iš lizdo**
 - kaip vaizduojama paveiksle, tiesiog nuimkite seną ir uždėkite naują ritės sistemą
 - šiame prietaise naudokite tik SKIL ritės sistemą 2610Z01354 (**jei naudojant kitą ritės sistemą prietaisas būtų sugadintas, garantija netaikoma**);
 - pakeitę ritės sistemą, mažiausiai vieną minutę leiskite prietaisui veikti be apkrovos, kad patikrintumėte, ar jis tinkamai veikia

PRIEŽIŪRA / SERVISAS

- Šis prietaisas neskirtas profesionaliam naudojimui
- **Prieš valydami ar prižiūrėdami prietaisą, būtinai ištraukite maitinimo laido kištuką iš elektros tinklo lizdo**
- Periodiškai valykite prietaisą ir kabelį (ypač ventiliacines angas)
 - prietaisą valykite drėgna šluoste (nenaudokite vaikiškų ir tirpiklių)
 - kaskart baigę darbą valykite valo pjovimo geležtę J ² ir apsaugą A ²
 - reguliariai valykite vėdinimo angas L ² šepetuku ar suslėgtu oru
- Reguliariai tikrinkite pjaunamosios galvutės būklę ir ar gerai priveržtos veržlės, varžtai ir sraigčiai

- Reguliariai tikrinkite, ar nėra nusidėvėjusių ar sugadintų dalių, prireikus atiduokite taisyti arba keisti
- Laikymas ⁽¹⁹⁾
 - laikykite prietaisą **patalpoje**, sausoje ir rakinamoje, vaikams neprieinamoje vietoje
 - keturiais varžtais (**nepateikiami**) prie sienos patikimai pritvirtinkite pakabą M, kad ji būtų horizontali
- Jeigu prietaisas, nepaisant gamykloje atliekamo kruopštaus gamybos ir kontrolės proceso, vis dėlto sugestų, jo remontas turi būti atliekamas įgaliotose SKIL elektrinių įrankių remonto dirbtuvėse
 - **neišardyta** prietaisą kartu su pirkimo čekiu siųskite tiekėjui arba į artimiausią SKIL firmos įgaliotą elektros prietaisų techninio aptarnavimo tarnybą (adresus bei atsarginių dalių brėžinius rasite www.skil.com)

TRIKČIŲ DIAGNOSTIKA

- Toliau pateiktame sąraše aprašomi sutrikimų požymiai, galimos priežastys ir šalinimo veiksmai (jei naudojantis šiais patarimais nepavyko nustatyti ir pašalinti sutrikimo, kreipkitės į prekybos atstovą arba techninės priežiūros punktą)

! prieš tirdami sutrikimą, išjunkite prietaisą ir ištraukite kištuką iš elektros lizdo

- ★ Prietaisas neveikia
 - sugedęs elektros tinklo lizdas ->junkite į kitą lizdą
 - sugadintas ilginamasis kabelis -> keiskite ilginamąjį kabelį
- ★ Prietaisas veikia su pertrūkiais
 - sugedusi vidinė elektros instaliacija -> kreipkitės į prekybos atstovą arba techninės priežiūros punktą
 - sugedęs jungimo ir išjungimo jungiklis -> kreipkitės į prekybos atstovą arba techninės priežiūros punktą
- ★ Prietaisas nepaprastai vibruoja
 - per aukšta žolė -> pjaukite per keletą kartų
- ★ Prietaisas nepajauja
 - valas per trumpas / nutrūkęs -> atlikite rankinio tiekimo procedūrą
- ★ Neįmanoma tiekti valo
 - tuščia ritė -> keiskite ritę
 - valas susipainiojęs ant ritės -> apžiūrėkite ir prireikus pervyniokite ritę
- ★ Valas nepatrupinamas iki reikiamo ilgio -> nuimkite pjovimo geležtės gaubtelį
- ★ Nuolat nutrūksta valas
 - valas susipainiojęs ant ritės -> apžiūrėkite ir prireikus pervyniokite ritę
 - netinkamai naudojama žoliapjovė -> pjaukite tik valo galiuku; nekludykite akmenų, sienų ir kitų kietų daiktų; reguliariai atlikite valo tiekimo procedūrą

APLINKOSAUGA

- **Nemeskite elektrinių įrankių, papildomos įrangos ir pakuočių į buitinių atliekų konteinerius** (galioja tik ES valstybėms)
 - pagal ES Direktyvą 2012/19/EG dėl naudotų elektrinių ir elektroninių prietaisų atliekų utilizavimo ir pagal vietinius valstybės įstatymus atitarnavę elektriniai įrankiai turi būti surenkami atskirai ir gabenami į antrinių žaliavų tvarkymo vietas, kur jie turi būti sunaikinami ar perdirbami aplinkai nekenksmingu būdu
 - apie tai primins simbolis ⁽²⁰⁾, kai reikės išmesti atitarnavusį prietaisą

ATITIKTIES DEKLARACIJA ^{CE}

- Atsakingai pareiškiame, kad skyrįje "Techniniai duomenys" aprašytas gaminytis atitinka žemiau pateiktus standartus ir norminius dokumentus: EN 60335, EN 61000, EN 55014 pagal direktyvų 2006/95/EB, 2004/108/EB, 2006/42/EB, 2000/14/EB, 2011/65/ES reikalavimus
- **Techninė byla laikoma:** SKIL Europe BV (PT-SEU/ENG1), 4825 BD Breda, NL

Marijn van der Hoofden
Operations & Engineering

Olaf Dijkgraaf
Approval Manager




SKIL Europe BV, 4825 BD Breda, NL

19.12.2013

CE10

TRIUKŠMINGUMAS/VIBRACIJA

- Šio prietaiso triukšmingumas buvo išmatuotas pagal EN 60335 reikalavimus; keliamo triukšmo garso slėgio lygis siekia 70 dB(A) ir akustinio galingumo lygis 90 dB(A) (standartinis nuokrypis: 3 dB), ir vibracijos pagreitis rankos plaštakos srityje tipiniu atveju yra mažesnis, kaip $<2,5 \text{ m/s}^2$ (paklaida $K = 1,5 \text{ m/s}^2$)
- Išmatavus pagal 2000/14/EB (EN/ISO 3744) reikalavimus, garantuotas garso galingumas LWA yra mažesnis nei 93 dB(A) (atitikties vertinimas atliktas pagal VI priedą)
 - Notifikuota institucija: KEMA, Arnhem, NL
 - Notifikuotos institucijos identifikavimo numeris: 0344
- Vibracijos sklaidos lygis išmatuotas pagal standarte EN 60335 išdėstytus standartizuoto bandymo reikalavimus; ši vertė gali būti naudojama vienam įrankiui palyginti su kitu bei išankstinais vibracijos poveikiui įvertinti, kai įrankis naudojamas paminėtais būdais
 - naudojant įrankį kitokiais būdais arba su kitokiais bei netinkamai prižiūrimais priedais, gali žymiai **padidėti** poveikio lygis
 - laikotarpiams, kai įrankis išjungtas arba yra įjungtas, tačiau juo nedirbama, gali žymiai **sumažėti** poveikio lygis
- ! **apsisaugokite nuo vibracijos poveikio prižiūredami įrankį ir jo priedus, laikydami rankas šiltai ir derinami darbo ciklus su pertraukėlėmis**

MK

Поткаструвач со конец

0730

УПАТСТВО

- Оваа машина е наменета за сечење трева и плевел под грмушките, како и на закосен терен и рабови коишто не може да се достигнат со косилка
- Овој алат не е наменет за професионална употреба
- Проверете дали пакувањето ги содржи сите делови коишто се прикажани на сликата ⁽²⁾
- Контакттирајте со продавачот ако недостасуваат делови или истите се оштетени

- **Внимателно прочитајте го упатството за работа пред употреба и зачувајте го за идни осврти** ③
- **Обрнете особено внимание на безбедносните упатства и предупредувања; недоследноста може да доведе до сериозна повреда**

ТЕХНИЧКИ ПОДАТОЦИ ①

ЕЛЕМЕНТИ НА АЛАТОТ ②

- A Штитник при сечење
- B Рачка за водење
- C Водилка за кабелот
- D Глава за стегање
- E Телескопска цевка
- F Прекинувач за активирање
- G Напак за сечивото
- H Копче за подавање конец
- J Порамнување на сечивото
- K Капаче на калемот
- L Отвори за вентилација
- M Шина за складирање (**шрафовите не се доставуваат**)
- N Кука на складот

БЕЗБЕДНОСТ

СПЕЦИФИЧНИ БЕЗБЕДНОСНИ УПАТСТВА ЗА ПОТКАСТРУВАЧИ КОНЕЦ

ОПШТИ

- Запознајте се со контролите и со правилната употреба на косилката
- Корисникот е одговорен за несреќните случаи или штетите што ќе се предизвикаат кај други лица или на нивниот имот
- Користете ја машината само ако температурата на воздухот е меѓу 0°C и 40°C
- Никогаш не поставувајте елементи за сечење метал на оваа машина

ЛИЧНА ЗАШТИТА

- Овој алат е наменет за употреба за лица (вклучувајќи и деца) со намалени физички, сензорски или ментални способности или со помало искуство и знаење, и доколку лицето задолжено за нивна безбедност не им даде соодветна помош и упатство за за тоа како да се користи алатот
- Обезбедете децата да не си играат со алатот
- Никогаш не дозволувајте деца или други лица коишто не ги знаат упатствата за работа да ја користат машината
- **Држете ги прстите подалеку од сечивото со конецот за косење сместено во штитникот за косење**
- Држете ги рацете и стапалата подалеку од конецот за косење при поткастрување, особено кога ја вклучувате машината
- Секогаш носете заштита за очите, долги пантолони и цврсти чевли кога работите со машината
- Никогаш не работете со машината во непосредна близина на луѓе; престанете да работите со неа ако во близина има други лица (особено деца) или галеничиња

- Никогаш не работете со машината ако сте уморни, болни или под влијание на алкохол или лекарства
- ### ЕЛЕКТРИЧНА БЕЗБЕДНОСТ
- Секогаш проверувајте напонот да е ист со оној кој е назначен на плочката на алатот (алатите за напон од 230V или 240V исто така може да се поврзат и на напон од 220V)
 - Проверувајте го кабелот од време на време и повикајте квалификувано лице да го смени ако е оштетен
 - Проверувајте го продолжниот кабел од време на време и сменете го ако е оштетен (**несоодветните продолжни кабли се опасни**)
 - Користете само продолжен кабел којшто е наменет за работа на отворено и е опремен со водоотпорен приклучок и штекер во форма на запалка
 - Продолжениот кабел кој го користите, мора да биде соосема одмотан и безбеден, со капацитет од 16 A
 - Користете уред за преостанат напон (RCD) со максимален напон за активирање од 30 mA кога ја користите косилката
 - Не преминувајте преку кабелот (продолжниот) не превиткувајте или не влечете го
 - Заштитете го (продолжниот) кабел од топлина, масло и остри рабови
 - **Држете го кабелот (и продолжниот) подалеку од конецот за косење**
 - Секогаш исклучете ја машината и исклучете го приклучокот од штекерот ако кабелот за напојување со ел. енергија или продолжниот кабел се пресечени, оштетени или заплетнани (**не допирајте го кабелот пред да го исклучите приклучокот**)

ПРЕД УПОТРЕБА

- Користете ја машината само на дневно светло или со соодветно вештачко осветлување
- Проверувајте ја функционалноста на машината пред секоја употреба и во случај на удар, повикајте квалификувано лице да ја поправи (никогаш не отворајте ја машината сами)
- Пред употреба, темелно проверете ја областа за сечење и остранете ги сите предмети што машината може да ги отфрли при сечењето (како камења, паднати гранки и сл.)

ВО ТЕНОТ НА УПОТРЕБАТА

- Никогаш не користете алат ако кабелот е оштетен; замената на кабелот мора да ја изврши стручно лице
- Никогаш не работете со машината ако е оштетен штитникот при косење или без поставен штитник
- **Конецот за косење продолжува да врти извесно време откако алатот ќе се исклучи**
- Не сечете трева што не е на тлото (на пр. на сидови или карпи)
- Не поминувајте патишта или плочници кога работи машината
- Не дозволувајте нешто да ви го одвлече вниманието и секогаш концентрирајте се на работата
- Секогаш исклучувајте го приклучокот од штекер
 - кога косилката ја оставате без надзор
 - пред чистење заглавен материјал
 - пред проверка, чистење или работа на косилката
 - ако удрите во стран предмет
 - секогаш кога косилката ќе вибрира невообичаено

- Секогаш одржувајте ги отворите за вентилација чисти и без отпадоци

ПО УПОТРЕБА

- Секогаш исклучувајте го алатот и извлечете го приклучокот од извор на струја пред да извршувате какви било прилагодувања, менување на калемот, чистење или ано го оставате алатот без надзор извесен период
- Чувајте ја машината во затворен простор на суво и затворено место и подалеку од дофат на деца

ОБЈАСНУВАЊЕ ЗА СИМБОЛИТЕ ЗА АЛАТОТ

- ③ **Предупредување!** Прочитајте го упатството за работа
- ④ Не изложувајте го алатот на дожд
- ⑤ Носете заштитни очила
- ⑥ **Обрнете внимание на ризикот од повреда што може да го предизвика отфрлениот остаток од носењето** (присутните лица да стојат на безбедно растојание од местото на работа)
- ⑦ Веднаш извлечете го приклучокот ако кабелот (и продолжниот) се оштети или пресече во текот на работата
- ⑧ Двојна изолација (не е потребна заземна жица)

УПОТРЕБА

- Штитник при сечење^⑩
 - поставете го штитникот за носење А како што е прикажано со доставениот шрафцигер
 - ! **никогаш не користете ја машината без штитник А**
- Поставување/подесување на рачката за водење^⑪
 - поставете ја рачката за наведување В како што е прикажано на сликата со доставените 4 шрафа
 - ! **цврсто затегнете ги сите 4 шрафови**
- Водилка за кабелот^⑫
 - закачете ја куката на продолжниот кабел над водилката С како што е прикажано
 - повлечете цврсто за да го обезбедите продолжниот кабел
- Прилагодување на висината^⑬
 - При прилагодување на висината на машината, внимавајте предната рака треба да биде исправена при поткаструвањето
 - разлабавете ја главата D ② вртејќи ја во правецот на стрелките на часовникот
 - издолжете ја цевката E ② до саканата висина
 - затегнете ја главата D ② вртејќи ја обратно од правецот на стрелките на часовникот
- Вклучено/Исклучено^⑭
 - вклучете го алатот со притискање на прекинувачот за активирање F
 - исклучете ја машината со пуштање на прекинувачот за активирање F
 - ! **по исклучување на алатот, конецот за носење продолжува да ротира уште неколку сенунди**
 - оставете конецот да престане да се врти пред повторно вклучување
 - ! **не исклучувајте и вклучувајте премногу бргу**
- Поткастрување
 - ! **проверете дали црвениот напак G ② е изваден од сечивото за сечење на конецот пред да го користите алатот**

- ! **проверете дали областа за носење е без камења, отпадоци и други страни предмети**
- ! **започнете со поткастрување само кога машината работи со полна брзина**
- започнете со поткастрување откај приклучокот за напојување и оддалечувајте се додека работите
- сечете ја високата трева во слоеви (секогаш започнете од горе)
- секогаш кастрете со врвот на конецот за носење
- не сечете влажна или мокра трева
- спречете исечената трева да се лепи на калемот (не косете предолго)
- не преотварувајте ја машината
- сечете внимателно околу дрва и грмушки и спречете нивен контакт со конецот
- држете ја машината подалеку од цврсти предмети за да го заштитите конецот од прекумерно абенење
- внимавајте на повратниот удар што може да се појави кога ќе се допрат цврсти предмети
- Држење и насочување на алатот^⑮
 - при сечење висока трева, бавно замавнувајте со машината оддесно налево и обратно
 - закосете ја машината при сечење ниска трева како што е прикажано
 - свртете ја машината за 180° ако поткаструвате рабови
 - цврсто држете ја машината со двете раце за да имате постојано целосна контрола врз неа
 - заземете стабилна позиција за работа
 - секогаш држете ја машината далеку од телото
- Подавање конец^⑯
 - потчукнете го копчето H внимателно од земјата (на цврст терен, ако е можно) додека работи моторот
 - двата конци за сечење ќе се ослободат и отсечат за да се поправи должината на сечивото J
 - ! **проверете дали црвениот напак G ② е изваден од сечивото за сечење на конецот пред да го користите алатот**
 - ! **внимавајте да не се повредите од сечивото за сечење на конецот J**
 - по подавање конец, секогаш вратете го алатот во нормална положба за работа пред да го вклучите
 - подавајте конец редовно за да се одржи комплетен циклус на сечење
 - кога моторот работи без оптеретување и не се коси трева, ако конецот е потрошен или скинат; намотајте го калемот или заменете го системот со калемот
- Мотање на калемот^⑰
 - Во случај кога конецот нема да излезе од главата со калемот K
 - ! **исклучете го алатот и извадете го од приклучокот**
 - извадете го системот со калемот и извадете го калемот од главата K
 - цврсто намотајте ги двата конци за носење рамномерно во слоеви во правец на стрелката вметнете ги двата конци во отворите на калемот X и проверете дали се поставени безбедно на место (оставете доволно должина на конецот)

- протнете ги двата конци низ отворите на калемот Y пред да го ставите намотаниот калем во главата за калемот K

! проверете дали калемот е цврсто поставен во лежиштето и потоа пуштете ги двата конци од отворите X со цврсто повлекување

- поставете го системот со калемот на алатот (вртете го калемот во правецот на стрелките на часовникот додека не кликне на своето место) 18

- Замена на системот со калемот 18

! исклучете го алатот и извадете го од приклучонок

- едноставно извадете/поставете стар/нов систем со калем како што е прикажано
- користете само системи со калеми на SKIL
 - 2610Z01354 со овој алат (**оштетувањето заради употреба на други калеми ја отфрла гаранцијата**)
- откако ќе го смените системот со калемот, вклучете го пробно алатот најмалку една минута без оптоварување за да проверите дали работи правилно

ОДРЖУВАЊЕ/СЕРВИСИРАЊЕ

- Овој алат не е наменет за професионална употреба
- **Секогаш исклучете го приклучонок од извор на струја пред чистење и/или одржување**
- Алатот и кабелот секогаш да се одржуваат чисти (особено отворите за ладење)
 - чистете ја машината со влажна крпа (не користете средства за чистење или растворувачи)
 - исчистете ги сечивото за сечење на конецот J ② и штитникот A ② по секоја употреба
 - чистете ги отворите за вентилација L ② редовно, со четка или компресиран воздух
- Редовно проверувајте ја состојбата на главата за сечење и затегнатоста на завртките, навртките и шрафовите
- Редовно проверувајте дали деловите се оштетени или избавени и поправете/заменете ги ако е неопходно
- Чување 19
 - чувајте ја машината **во затворен простор** на суво и затворено место и подалеку од дофат на деца
 - внимателно поставете ја шината за складирање M на сид со 4 шрафа (**не се доставуваат**) и порамнете хоризонтално
- Доколку алатот и покрај внимателното работење и контрола некогаш откаже, поправката мора да ја изврши некој овластен SKIL сервис за електрични алати
 - во случај на примедба, испратете го алатот **нерасклопен**, заедно со сметкопотврдата, до вашиот продавач или најблискиот SKIL сервис (адресите се наведени на www.skil.com)

РЕШАВАЊЕ ПРОБЛЕМИ

- Следниот список ги прикажува симптомите за проблемите, можните причини и дејства за поправка (контактирајте со продавачот или сервисерот ако

истите не го идентификуваат ниту решаваат проблемот)

! исклучете ја машината и извадете го приклучонок пред да го истражувате проблемот

- ★ Машината не работи
 - расипан штекер за напојување со ел. енергија -> користете друг штекер
 - продолжниот кабел е оштетен -> заменете го продолжниот кабел
- ★ Машината работи со прекини
 - оштетување на внатрешното поврзување -> контактирајте со продавачот/ сервисерот
 - оштетување на прекинувачот за вклучување/ исклучување -> контактирајте со продавачот/ сервисерот
- ★ Машината вибрира невообичаено
 - тревата е многу висока -> сечете по фази
- ★ Машината не сече
 - конецот е прекраток/скинат -> подајте конец рачно
- ★ Конецот не се подава
 - калемот е празен -> заменете го калемот
 - конецот е заплеткан во калемот -> проверете го калемот; намотајте го ако е неопходно
- ★ Конецот не се пресече на точната должина -> извадете го капакот од сечивото
- ★ Конецот постојано се кине
 - конецот е заплеткан во калемот -> проверете го калемот; намотајте го ако е неопходно
 - поткаструвачот се користи неправилно -> настрете само со врвот на конецот; избегнувајте камења, сидови и други цврсти предмети; подавајте конец редовно

ЗАШТИТА НА ЖИВОТНАТА СРЕДИНА

- **Не се ослободувајте од електрични алати, уреди или амбалажа преку нивно фрлање во домашното ѓубре** (само за земјите на ЕУ)
 - според Европската Директива 2012/19/ЕС за ослободување од електрична и електронска опрема и нејзина имплементација во согласност со националните закони, електричните алати кои го достигнале крајот на својот животен век мора да бидат собрани посебно и да бидат вратени во соодветен објект за рециклирање
 - симболот ⑨ ќе ве потсетува на ова кога ќе дојде време алатот да го фрлите

ДЕКЛАРАЦИЈА ЗА УСОГЛАСЕНОСТ СЕ

- Со целосна одговорност изјавуваме дека производот опишан кај "Технички податоци" е усогласен со следните стандарди или документи за стандардизација: EN 60335, EN 61000, EN 55014 во согласност со одредбите во директивите 2006/95/EG, 2004/108/EG, 2006/42/EG, 2000/14/EG, 2011/65/EU

- **Технично досије во:** SKIL Europe BV (PT-SEU/ENG1), 4825 BD Breda, NL

Marijn van der Hoofden
Operations & Engineering

Olaf Dijkgraaf
Approval Manager




SKIL Europe BV, 4825 BD Breda, NL

19.12.2013

CE10

БУЧАВА/ВИБРАЦИИ

- Мерео во согласност со EN 60335 нивото на звучен притисок е 70 dB(A) а нивото на звучна моќност 90 dB(A) (стандардно отстапување: 3 dB), и вибрација <math>< 2,5 \text{ m/s}^2</math> (hand-arm метода; несигурност $K = 1.5 \text{ m/s}^2$)
 - Измерено во согласност со 2000/14/EG (EN/ISO 3744), гарантираното ниво на бука LWA е пониско од 93 dB(A) (постапка за проценка на усогласеноста согласно Додаток VI)
Овластено лице: KEMA, Arnhem, NL
Број за идентификација на овластеното лице: 0344
 - Нивото на емитурање на вибрации кое е наведено на задниот дел на ова упатство е измерено во согласност со стандардизираниот тест даден во EN 60335; може да се користи за да се спореди еден алат со друг, и како првична оценка за изложеноста на вибрации кога се користи алатот за споменатите примени
 - користењето на алатот за разни примени, или со различни или неправилно чувани делови, може да доведе до значајно **зголемување** на нивото на изложеност
 - кога алатот е исклучен или кога алатот е вклучен но не врши некаква работа, може да дојде до значително **намалување** на нивото а изложеност
- ! заштитете се од ефектите на вибрациите преку одржување на алатот и неговите делови, одржување на топлината во вашите раце, и организирање на вашата работа**

AL

Motokosë me fije

0730

HYRJE

- Kjo vegël është e projektuar për prerjen e barit dhe barërave të këqija poshtë shkurreve, si dhe në pjerrësi dhe anë që nuk mund të arrihen me kositësen e barit
- Kjo vegël nuk është e projektuar për përdorim profesional
- Kontrolloni nëse paketimi përfshin të gjitha pjesët siç janë të ilustruara në skicë ②
- Kur pjesët mungojnë ose janë të дѐmtuara, ju lutemi kontaktini me shitësin
- **Lexoni me kujdes këtë manual udhëzimesh para përdorimit dhe ruajeni për referencë në të ardhmen**

③

- **Jini të vëmendshëm ndaj udhëzimeve të sigurisë dhe paralajmërimeve; mosrespektimi mund të shkaktojë дѐmtime të рѐnda**

TË DHËNAT TEKNIKE ①

ELEMENTET E PAJISJES ②

- A Mbrojtësja e prerjes
- B Doreza drejtuese
- C Bllokuësi i kordonit
- D Këmisha bllokuëse
- E Tubi teleskopik
- F Çelësi i aktivizimit
- G Kapaku i thikës së prerjes
- H Butoni për futjen e fijes
- J Thika prerëse e fijes
- K Kapaku i rrotullës
- L Të çarat e ajrosjes
- M Shina e magazinimit (**vidat nuk përfshihen**)
- N Kapësja për vendosje

SIGURIA

UDHËZIMET E SIGURISË SPECIFIKE PËR PRERËSET MOTOKOSË ME FIJE

TË PËRGJITHSHME

- Familjarizohuni me komandat dhe përdorimin e saktë të veglës
- Përdoruesi është përgjegjës për aksidentet ose rreziqet ndaj personave të tjera ose pronës së tyre
- Përdorimi veçanërisht kur temperatura e ambientit është 0°C deri në 40°C
- Mos montoni kurrë elemente për prerjen e metaleve në këtë vegël

SIGURIA PERSONALE

- Kjo pajisje nuk është projektuar për t'u përdorur nga persona (përfshirë fëmijët) me kapacitete të zvogëluara fizike, ndijore ose mendore, ose me mungesë të përvojës dhe njohurive, nëse nuk janë udhëzuar ose mbikëqyrur në lidhje me përdorimin e pajisjes nga një person përgjegjës për sigurinë e tyre.
- Sigurohuni që fëmijët të mos luajnë me pajisjen
- Mos lejoni kurrë fëmijët ose personat që nuk janë të familjarizuar me udhëzimet e përdorimit që të përdorin këtë vegël
- **Mbajini gishtat larg nga lama e prerjes me fije që është e integruar në mbrojtësen e prerjes**
- Mbajini duart dhe këmbët larg nga fijet prerëse gjatë procesit të prerjes, veçanërisht gjatë ndezjes së veglës
- Mbani gjithmonë mbrojtësen për sytë, pantallona të gjata dhe këpucë të forta kur përdorni veglën
- Mos e përdorni kurrë veglën në afërsi të personave të tjerë; ndaloni përdorimin e veglës kur keni pranë persona të tjerë (veçanërisht fëmijë) ose kafshë shtëpiake
- Mos e përdorni kurrë veglën kur jeni të lodhur, të сѐmurë ose nën ndikimin e alkoolit ose ilaçeve të tjera

SIGURIA ELEKTRIKE

- Kontrolli gjithmonë që voltazhi i energjisë të jetë i njëjtë si voltazhi që tregohet në etiketën e veglës (veglat me klasifikimin 230 V ose 240 V mund të lidhen po ashtu me një burim 220 V)
- Kontrolloni periodikisht kordonin dhe zëvendësojeni me ndihmën e një personi të kualifikuar, nëse dëmtohet
- Kontrolloni kordonin zgjatues periodikisht dhe zëvendësojeni, nëse dëmtohet (**kordonët zgjatues të papërshtatshëm mund të jenë të rrezikshëm**)
- Përdorni vetëm një kordon zgjatues të krijuar për përdorim në ambiente të jashtme me spinë kundër ujit dhe prizë bashkuese
- Përdorni kordonë të papapur dhe të sigurt për zgjatime, me një kapacitet 16 amper
- Kur përdorni veglën, përdorni një pajisje ndërprerëse të diferencuar (RCD) me korrent aktivizues maksimumi 30 mA
- Mos e shkëlqni, shtypni apo tërhiqni kordonin (zgjatues)
- Mbrojeni kordonin (zgjatues) nga nxehtësia, vaji dhe anët e mprehta
- **Mbajeni kordonin (zgjatues) larg nga fijet prerëse rrotulluese**
- Fikeni gjithmonë veglën dhe hiqeni spinën nga burimi i energjisë nëse kordoni elektrik ose kordoni zgjatues është prerë, dëmtuar ose ngatërruar (**mos e prekni kordonin para se të hiqni spinën**)

PARA PËRDORIMIT

- Përdorni veglën vetëm në dritë gjatë ditës ose me dritë të përshtatshme artificiale
- Kontrolloni funksionimin e pajisjes para çdo përdorimi dhe pas çdo goditje; në rast defekti, riparoheni nga një person i kualifikuar (mos e hapni kurrë vetë pajisjen)
- Para përdorimit kontrolloni plotësisht zonën e prerjes dhe hiqni çdo objekt që mund të godasë vegla gjatë prerjes (si gurë, copa druri, etj.)

GJATË PËRDORIMIT

- Mos e përdorni kurrë veglën kur kordoni është i dëmtuar; zëvendësojeni nga një person i kualifikuar
- Mos e përdorni kurrë veglën me një mbrojtëse të dëmtuar të prerjes ose pa mbrojtësen e montuar
- **Fijet prerëse vazhdojnë të rrotullohen për pak kohë pasi fiket vegla**
- Mos prisni barin nëse nuk është në tokë (p.sh. mbi mure ose gurë)
- Mos kapërceni rrugët ose rrugicat me zhavorr kur vegla është ende në punë
- Mos u hutoni dhe përqendrohuni gjithmonë në atë që po bëni
- Hiqeni gjithmonë spinën nga burimi i energjisë
 - sa herë që e lini veglën të pamonitoruar
 - para pastrimit të materialeve të bllokuara
 - para kontrollit, pastrimit ose punimeve në vegël
 - pas goditjes së një objekti të huaj
 - sa herë që vegla fillon të dridhet në mënyrë jo normale
- Sigurohuni gjithmonë që të çarat e ajrimit të jenë të pastra nga copërat e mbetura

PAS PËRDORIMIT

- **Fikeni gjithmonë veglën dhe shkëputeni spinën nga burimi i energjisë para se të bëni rregullime, të ndryshoni rrotullën, ta pastroni ose ta lini veglën të pamonitoruar për një periudhë të caktuar**

- Magazinojeni pajisjen në ambiente të brendshme në një vend të thatë dhe të mbyllur, larg nga fëmijët
- ## SHPJEGIMI I SIMBOLEVE NË VEGËL
- ③ **Paralajmërimi!** Lexoni manualin e udhëzimeve
 - ④ Mos e ekspozoni veglën në shi
 - ⑤ Mbani syze mbrojtëse
 - ⑥ **Jini të vëmendshëm ndaj rrezikut për dëmtime nga copat që fluturojnë përreth** (mbajini personat e tjerë në një distancë të sigurt nga zona e punës)
 - ⑦ Hiqni menjëherë spinën nëse kordoni (zgjatues) dëmtohet ose pritët gjatë punës
 - ⑧ Izolimi i dyfishtë (nuk kërkohet tokëzim)

PËRDORIMI

- Mbrojtësja e prerjes ⑩
 - montoni mbrojtësen e prerjes A si në ilustrim me vidën e përfshirë me kokë të rrumbullakët
 - ! **mos e përdorni kurrë veglën pa mbrojtësen e prerjes A**
- Montimi/rregullimi i dorezës drejtuese ⑪
 - montoni dorezën e drejtimit B si në ilustrim me 4 vidat e përfshira
 - ! **shtrëngoni mirë të gjitha 4 vidat**
- Bllokuesi i kordonit ⑫
 - kaloni lakun e kordonit zgjatues mbi bllokues C si në ilustrim
 - tërhiqeni fort për të siguruar kordonin zgjatues
- Rregullimi i lartësisë ⑬
 - Për rregullimin e lartësisë së veglës në mënyrë që krahu përpara të jetë drejt gjatë prerjes
 - lironi manshetën bllokuese D ② duke e rrotulluar në drejtimin orar
 - zgjatni tubin E ② në lartësinë e dëshiruar
 - shtrëngoni manshetën bllokuese D ② duke e rrotulluar në drejtimin anti-orar
- Ndezje/Fikje ⑭
 - ndizeni veglën duke shtypur çelësin e aktivizimit F
 - fikeni veglën duke lëshuar çelësin e aktivizimit F
 - ! **pas fikjes së veglës, fijet prerëse vazhdojnë të rrotullohen për disa sekonda**
 - lëri fijet prerëse të ndalojnë së rrotulluari para se ta ndizni përsëri
 - ! **mos e ndizni dhe fikni shumë shpejt**
- Prejra
 - ! **sigurohuni që kapaku i kuq G ② të jetë i hequr nga thika e prerjes së fijeve para përdorimit të pajisjes**
 - ! **sigurohuni që zona e prerjes nuk ka gurë, copëra të hedhura dhe objekte të tjera të huaja**
 - ! **filloni të prisni vetëm kur vegla të punojë me shpejtësi të plotë**
 - filloni të prisni pranë prizës së rrjetit elektrik dhe largohuni gjatë punës
 - pritëni barin e gjatë në shtresa (filloni nga maja)
 - prisni vetëm me majën e fijos prerëse
 - mos prisni bar të lagësht ose të njomë
 - parandaloni bllokimin e rrotullës nga bari i prerës (mos bëni prerje të rënda)
 - mos e mbingarkoni veglën
 - prisni me kujdes rreth pemëve dhe shkurreve, në mënyrë që të mos bien në kontakt me fijet prerëse

- mbajeni veglën larg nga objektet e forta për të mbrojtur fijet prerëse nga konsumi i tepërt
- kini parasysh forcat e goditjes së kthimit kur prekni objekte të forta
- Mbatja dhe drejtimi i veglës 15
 - për prerjen e barit të gjatë, lëvizeni ngadalë veglën nga e djathta në të majtë dhe e kundërta
 - për prerjen e barit më të shkurtër, anoni veglën si në ilustrim
 - kthejeni veglën 180° për prerjen e anëve
 - mbajeni veglën mirë me të dyja duart, në mënyrë që të keni kontroll të plotë të veglës në të gjitha momentet
 - mbani një pozicion të qëndrueshëm të punës
 - mbajeni veglën gjithmonë larg nga trupi
- Nxjerrja e fijes 16
 - shtypeni lehtë butonin H në tokë (mundësisht në sipërfaqe të fortë) kur motori është në punë
 - dy fijet prerëse do të lëshohen dhe do të priten në gjatësinë e duhur nga thika e prerjes së fijeve J
- ! **sigurohuni që kapaku i kuq G 2 të jetë i hequr nga thika e prerjes së fijeve para përdorimit të pajisjes**
- ! **kini kujdes nga dëmtimet nga thika prerëse e fijeve J**
 - pas daljes së fijeve, kthejeni gjithmonë veglën në pozicionin normal të punës para se ta ndizni
 - nxirri rregullisht fijet për të siguruar një rreth të plotë të prerjes
 - kur motori punon pa ngarkesë ose nuk pritet bar, fijet prerëse do të konsumohen ose do të këputen; mblidheni rrotullën ose ndërtoni sistemin e rrotullës
- Mbledhja e rrotullës 17
 - Në rast se fijet prerëse nuk arrijnë që të dalin nga kapaku i rrotullës K
 - ! **fikni pajisjen dhe hiqni spinën**
 - hiqni sistemin e rrotullës nga vegla dhe nxirri rrotullën nga kapaku i saj K
 - mblidhni mirë fijet prerëse në mënyrë të njëtrajtëshme në drejtimin e shigjetës
 - futni të dyja fijet në foletë e rrotullës X dhe sigurohuni që të jenë të siguruar mirë (lini një gjatësi të mjaftueshme të fijes)
 - kaloni të dyja fijet në vrimat e rrotullës Y para se ta vendosni rrotullën e mbledhur në kapakun e saj K
- ! **sigurohuni që rrotulla të jetë vendosur mirë në vend dhe më pas nxirri të dyja fijet nga foletë X duke i tërhequr fort**
 - montoni sistemin e rrotullës në vegël (rrotullojeni rrotullën në drejtim orar deri sa të shkojë në vend) 18
- Zëvendësimi i sistemit të bobinës 18
 - ! **fikni pajisjen dhe hiqni spinën**
 - theshit hiqeni/montoni sistemin e vjetër/të ri të bobinës si në ilustrim
 - përdorni vetëm sistemin e bobinës 2610Z01354 nga SKIL për këtë pajisje (**dëmtimi nga përdorimi i sistemeve të tjera të bobinës përjashtohet nga garancia**)
 - pas zëvendësimit të sistemit të bobinës, provoni pajisjen për të paktën një minutë pa ngarkesë për t'u siguruar që pajisja punon si duhet

MIRËMBAJTJA / SHËRBIMI

- Kjo vegël nuk është e projektuar për përdorim profesional
- **Hiqeni gjithmonë spinën nga burimi i energjisë para pastrimit dhe/ose mirëmbajtjes**
- Mbajeni gjithmonë veglën dhe kordonin të pastër (veçanërisht të çarat e ajrosjes)
 - pastroni veglën me një copë të njomë (mos përdorni produkte pastrimi ose tretës)
 - pastroni thikën prerëse të fijeve J 2 dhe mbrojtësen e prerjes A 2 pas çdo përdorimi
 - pastroni të çarat e ajrosjes L 2 rregullisht me një furçë ose me ajër të ngjeshur
- Kontrolloni rregullisht kushtet e thikës prerëse dhe shtrëngimin e dadove, bulonave dhe vidave
- Kontrolloni rregullisht për komponentë të konsumuar ose të dëmtuar dhe riparohuni/zëvendësojini kur të jetë e nevojshme
- Magazinimi 19
 - magazinoheni pajisjen **në ambiente të brendshme** në një vend të thatë dhe të mbyllur, larg nga fëmijët
 - montoni mirë në mur shinën e magazinimit M me 4 vida (**nuk përfshihet**) dhe nivelejeni horizontalisht
- Nëse pajisja ka defekt pavarësisht kujdesit në prodhim dhe procedurat e provave, riparimi duhet të kryhet nga një qendër e shërbimit pas shitjes për veglat e punës të SKIL
 - dërgoni veglën të çmontuar së bashku me vërtetimin e blerjes te shitësi ose te qendra më e afërt e shërbimit e SKIL (adresat si dhe diagrami i shërbimit i veglës janë të paraqitura në www.skil.com)


ZGJIDHJA E PROBLEMEVE

- Lista e mëposhtme tregon simptomat e problemeve, shkaqet e mundshme dhe veprimet korrigjuese (nëse këto nuk e identifikojnë dhe e zgjidhin problemin, kontaktoni me shitësin tuaj ose pikën përkatëse të shërbimit)
 - ! **fikni veglën dhe hiqni spinën para se të shqyrtoni problemin**
- ★ Vegla nuk funksionon
 - priza e furnizimit me energji me defekt -> përdorni një prizë tjetër
 - kordoni zgjatues i dëmtuar -> ndërtoni kordonin zgjatues
- ★ Vegla punon me ndërprerje
 - lidhjet e brendshme me defekt -> kontaktoni me shitësin/pikën e shërbimit
 - çelësi i ndezjes/fikjes me defekt -> kontaktoni me shitësin/pikën e shërbimit
- ★ Vegla dridhet në mënyrë jo normale
 - bari shumë i lartë -> pritni me faza
- ★ Vegla nuk pret
 - fija shumë e shkurtër/e këputur -> futeni fijen në mënyrë manuale
- ★ Fija nuk mund të dalë
 - rrotulla bosh -> ndërtoni rrotullën
 - fija e ngatërruar brenda rrotullës -> kontrolloni rrotullën; mblidheni nëse duhet
- ★ Fija nuk pritë në gjatësinë e duhur -> hiqni kapakun nga thika e prerjes
- ★ Fija vazhdon të këputet
 - fija e ngatërruar brenda rrotullës -> kontrolloni rrotullën; mblidheni nëse duhet

- prerësja e përdorur gabim -> prisni vetëm me majën e fijos; shmangni gurët, muret dhe objektet e tjera të forta; nxirrni rregullisht fijet

! mbroni veten nga efektet e vibrimit duke mirëmbajtur pajisjen dhe aksesorët e saj, duke i mbajtur duart e ngrohta dhe duke organizuar mënyrën tuaj të punës

MJEDISI

- **Mos i hidhni veglat elektrike, aksesorët dhe paketimin së bashku me materialet e mbeturinave familjare** (vetëm për vendet e BE-së)
 - në respektim të Direktivës evropiane 2012/19/EC për pajisjet elektrike dhe elektronike si mbetje dhe zbatimin e saj në përputhje me ligjet kombëtare, pajisjet elektrike që kanë arritur në fund të jetëgjatësisë së tyre duhet të mblidhen të ndara dhe të kthehen në një objekt riciklimi në përputhje me mjedisin.
 - simboli  do t'ju kujtojë për këtë gjë kur të jetë nevoja për t'i hedhur

DEKLARATA E KONFORMITETIT CE

- Ne deklarojmë me përgjegjësinë tonë të vetme se ky produkt i përshkruar në "Të dhëat teknike" është në përputhje me standardet ose dokumentet e standardizimit si më poshtë: EN 60335, EN 61000, EN 55014 në përputhje me dispozitat e direktivave 2006/95/EC, 2004/108/EC, 2006/42/EC, 2000/14/EC, 2011/65/EU
- **Dosja teknike në:** SKIL Europe BV (PT-SEU/ENG1), 4825 BD Breda, Holandë

Marijn van der Hoofden
Operations & Engineering

Olaf Dijkgraaf
Approval Manager



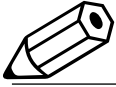

SKIL Europe BV, 4825 BD Breda, NL

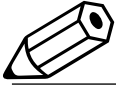
19.12.2013

CE10

ZHURMA/VIBRIMI

- E matur në përputhje me EN 60335, niveli i trysnisë së tingullit i kësaj pajisje është 70 dB(A) dhe niveli i fuqisë së tingullit 90 dB(A) (shmangia standarde: 3 dB) dhe vibrimi <math> < 2,5 \text{ m/s}^2 </math> (metoda e krahut-dorës; pasiguria K = 1,5 m/s²)
- Matur në përputhje me 2000/14/EC (EN/ISO 3744) niveli i garantuar i fuqisë së zërit LWA është më i ulët se 93 dB(A) (procedura e vlerësimit të konformitetit në përputhje me Shtojcën VI)
Organizmi i njoftuar : KEMA, Arnhem, NL
Numri i identifikimit të organizmit të njoftuar : 0344
- Niveli i emetimit të vibrimit është matur në përputhje me një provë të standardizuar të dhënë në EN 60335; ajo mund të përdoret për të krahasuar një vegël me një tjetër dhe si një vlerësim paraprak i ekspozimit ndaj vibrimit kur përdorni pajisjen për proceset e përmendura
 - përdorimi i pajisjes për procese të ndryshme, ose me aksesorë të ndryshëm dhe të mirëmbajtur keq, mund të **rritë** ndjeshëm nivelin e ekspozimit
 - kohët kur pajisja është e fikur dhe kur është e ndezur por jo në punë, mund të **zvogëlojnë** ndjeshëm nivelin e ekspozimit





- سیم (رابط) را لگد نکند. آنرا لگد نکرده یا نکشید
- سیم (رابط) ابزار را از گزرها، روغن و لبه های تیز دور نگهدارید
- سیم برق (رابط) را از سیمهای برش در حال چرخش دور نگهدارید
- اگر سیم برق یا سیم رابط بریده، آسیب دیده یا گیر کرده است باید همیشه ابزار را خاموش کرده و دوشاخه را از پریز بکشید (قبل از کشیدن دوشاخه از پریز نباید به هیچ وجه به سیم دست بزنید)

پیش از استفاده

- فقط در طول روز یا در جاهایی که از نور مناسب چراغ برخوردار است از این ابزار استفاده کنید
- عملکرد ابزار را پیش از هر بار استفاده و بعد از هر تصادم کنترل کنید؛ در صورت مشاهده اشکال دستگاه را فوراً برای تعمیر نزد یک تعمیرکار ماهر ببرید (هرگز خودتان ابزار را باز نکنید)
- پیش از استفاده، محلی را که می خواهید در آن کار کنید با دقت بررسی کرده و هر جسمی را که ابزار ممکن است در حین کار به اطراف پرتاب کند (مانند سنگ، تکه های چوب و غیره) از آنجا بردارید

در حین استفاده

- وقتی که سیم برق ابزار آسیب دیده هرگز از آن استفاده نکنید و از یک فرد متخصص بخواهید آنرا برای شما عوض کند
- اگر حفاظ برش آسیب دیده یا حفاظ برش سوار نشده است با ابزار کار نکنید
- سیمهای برش برای مدت کوتاهی بعد از خاموش شدن ابزار به چرخش ادامه می دهند
- چمنهایی را که روی زمین نیستند (مثلاً روی دیوار یا روی سنگ روئیده اند) با این ابزار نبرید
- اگر ابزار هنوز حرکت دارد از خیابان یا مسیرهای فرش شده با شن و سنگهای ریز عبور نکنید
- اجازه ندهید حواس شما پرت شود و همیشه به کاری که دارید انجام می دهید دقت کنید
- همیشه دوشاخه را از پریز بکشید
- هنگامی که ابزار را بدون سرپرستی رها می کنید
- پیش از برطرف کردن گیر و گرفتگی مواد و اشیاء
- پیش از بررسی، تمیز یا کار کردن روی ابزار
- بعد از تصادم با جسم خارجی
- هرگاه ابزار شروع به لرزش غیرعادی کرد
- دقت کنید که منافذ تهویه ابزار هیچگاه با آشغال مسدود نشوند
- بعد از استفاده
- همیشه پیش از انجام تنظیمات، عوض کردن فرقره، تمیز کردن یا رها کردن ابزار بدون سرپرستی برای هر مدتی، ابزار را خاموش کرده و سیم برق آنرا از دوشاخه بکشید
- ابزار را در داخل ساختمان و مکانی خشک و محفوظ، دور از دسترس کودکان نگهدارید

شرح علائم و نمادهای روی ابزار

- ① هشدار! دفترچه راهنما را مطالعه کنید
- ② ابزار نباید در معرض باران قرار داده شود
- ③ از عینک محافظ استفاده کنید
- ④ به خطر جراحت ناشی از آشغالیایی که در هوا بلند می شود توجه داشته باشید (افراد دیگر باید در فاصله مطمئنی از محیط کار شما قرار داشته باشند)
- ⑤ اگر در طول کار سیم (رابط) آسیب دیده یا بریده شده، فوراً دوشاخه را بکشید
- ⑥ عایق دوگانه (نباری به سیم اتصال به زمین - ارت نیست)

استفاده

- حفاظ برش ⑦
- حفاظ برش A در مطابق شکل با پیچ سرگرد ارائه شده سوار کنید
- هرگز بدون حفاظ برش A از ابزار استفاده نکنید
- سوار کردن یاز کردن دسته راهنما ⑧
- دسته راهنما B در مطابق شکل با ⑨ پیچ ارائه شده سوار کنید
- هر ⑩ پیچ را کاملاً سفت کنید
- مهار سیم ⑪
- حلقه سیم رابط در مطابق شکل در مهار سیم C قرار دهید
- سیم رابط را برای ایمنی محکم بکشید
- تنظیم ارتفاع ⑫
- برای تنظیم ارتفاع ابزار تا با روی شما هنگام برش صاف باشد

- ماسوره فقلی ① D را در جهت حرکت عقربه های ساعت بچرخانید تا شل شود
- لوله E را باز کنید تا به ارتفاع مناسب برسد
- ماسوره فقلی ① D را در خلاف جهت حرکت عقربه های ساعت بچرخانید تا محکم شود
- روشن/خاموش ⑭
- با فشار دادن استارت F ابزار را روشن کنید
- با رها کردن استارت F ابزار را خاموش کنید
- بعد از خاموش کردن ابزار، سیمهای برش برای چند ثانیه به حرکت خود ادامه می دهند
- پیش از اینکه دوباره ابزار را روشن کنید، اجازه دهید حرکت سیمهای برش کاملاً متوقف شود
- ابزار را پشت سرهم روشن و خاموش نکنید
- بریدن و هرس کردن
- پیش از استفاده از ابزار اطمینان حاصل کنید که پوشش قرمز رنگ ① G از تیغه برش سیم جدا شده باشد
- دقت کنید که محیط کار عاری از سنگ، آشغال و هرگونه جسم خارجی باشد
- فقط زمانی کار برش و هرس کردن را شروع کنید که ابزار به دور کامل رسیده باشد
- هرس کردن را از نزدیک پریز برق شروع کرده و با ادامه کار از پریز دور شوید
- چمنهای بلند را به صورت لایه ای کوتاه کنید (همیشه از بالا شروع کنید)
- فقط با نوک سیم برش هرس کنید
- چمنهای مرطوب یا خیس را نزنید
- اجازه ندهید چمنهای بریده شده در فرقره گیر کنند (برش های سنگین نزدیک زبایدی به ابزار فشار وارد نکنید)
- اطراف درختان و بوته ها را خیلی با دقت ببرید بطوریکه با سیمهای برش تماس پیدا نکنند
- به منظور محافظت از سیمهای برش در برابر فرسودگی بیش از حد، ابزار را از اجسام جامد دور نگهدارید
- مراقب پس زدن ابزار هنگام برخورد با اجسام جامد باشید
- نگهداشتن و هدایت ابزار ⑮
- برای بریدن چمنهای بلند، ابزار را از راست و چپ و برعکس حرکت دهید
- برای بریدن چمنهای کوتاه تر ابزار را مطابق شکل کج کنید
- برای کوتاه کردن کناره ها و لبه ها ابزار را ۱۸۰ درجه بچرخانید
- ابزار را خیلی محکم با هر دو دست بگیرید، تا در تمام اوقات روی ابزار کنترل کامل داشته باشید
- وضعیت کاری استواری داشته باشید
- همیشه ابزار را با فاصله مطمئنی دور از بدن خود بگیرید
- تغذیه سیم برش ⑯
- هنگامی که موتور در حال کار است، دکمه H را خیلی آرام روی زمین (ترجیحاً روی سطحی محکم) بزنید
- دو سیم برش ابزار را آنها را در طول مناسب خواهد برید
- پیش از استفاده از ابزار اطمینان حاصل کنید که پوشش قرمز رنگ ① G از تیغه برش سیم جدا شده باشد
- مراقب باشید که تیغه برش سیم L شما را مجروح نکند
- بعد از تغذیه سیم برش و پیش از روشن کردن ابزار باید همیشه آنرا به وضعیت کاری عادی برگردانید
- سیمهای برش را بطور مرتب تغذیه کنید تا دایره کامل برش حفظ گردد
- اگر موتور بدون بار کار کند و چمن کوتاه نکند، سیمهای برش فرسوده شده یا پاره خواهند شد؛ در اینصورت باید فرقره را مجدداً پیچیده یا مجموعه فرقره را عوض کنید
- بازیچی فرقره ⑰
- در صورتی که سیمهای برش از درپوش فرقره K جلازنی آیند
- ابزار را خاموش کرده و دوشاخه را بکشید
- مجموعه فرقره را از ابزار جدا کرده و فرقره را از درپوش فرقره K باز کنید
- هر دو سیم برش را مرحله مرحله و در جهت پیکان خیلی محکم بازیچی کنید
- هر دو سیم برش را در شیارهای X فرقره قرار دهید و اطمینان حاصل کنید که محکم در جای خود قرار گرفته باشند (سیم برش به طول کافی باشد)

- ماسك السلك ⑭
- قم بتعليق العروة في سلك التمديد أعلى الماسك C كما هو موضح في الشكل:
- اسحب بإحكام لتأمين سلك التمديد:
- ضبط الارتفاع ⑮
- لضبط ارتفاع الآداة بحيث تكون الذراع الأمامية مستقيمة عند التقليم
- فك جلبة القفل D ① عن طريق تدويرها في اتجاه عقارب الساعة:
- مَد الأنيوب E ① للارتفاع المطلوب:
- احكم ربط جلبة القفل D ② عن طريق تدويرها في عكس اتجاه عقارب الساعة:
- التشغيل/إيقاف التشغيل ⑯
- قم بتشغيل الآداة بالضغط على مفتاح الزناد F:
- أوقف تشغيل الآداة عن طريق خريز مفتاح الزناد F:
- ! بعد إيقاف تشغيل الآداة تستمر خيوط القطع في الدوران لبعض ثوانٍ:
- اترك خيوط القطع تتوقف عن الدوران قبل التشغيل مرة أخرى:
- لا تقم بالتشغيل وإيقاف التشغيل سريعًا:
- التليم
- ! تأكد من أن الغطاء الأحمر G ① قد تم فكّه من شفرة قطع الخيوط قبل استخدام الآداة:
- ! تأكد من أن منطقة القطع خالية من الحجارة والخلفات والأجسام الأخرى الغريبة:
- لا تبدأ التقليم إلا إذا دارت الآداة بسرعة كاملة:
- ابدأ في التليم بجوار المقيس الرئيسي وحرك متباعدًا عنه أثناء العمل:
- اقطع الأعشاب الطويلة في طبقات (ابدأ دائمًا من القمة):
- لا تقلم إلا باستخدام الطرف المستدق خيط القطع:
- لا تقطع الأعشاب للبلبل أو الرطبة:
- اعمل على ألا يتسبب العشب المفطوع في سد البكرة (لا جر عمليات قطع كثيفة):
- لا تضرب في التحميل على الآداة:
- اقطع بحذر في المناطق المحيطة بالشجيرات بحيث لا تتلامس مع خيوط القطع:
- ابق الآداة بعيدًا عن الأجسام الصلبة لحماية خيوط القطع من فرط التآكل:
- انتبه جيدًا لقوى الارتداد التي تحدث عند لمس الأجسام الصلبة:
- إمساك الآداة وتوجيهها ⑰
- لقطع الأعشاب الطويلة، حرّك الآداة ببطء من اليمين لليسار والعكس:
- لقطع أعشاب أقصر، قم بإمالة الآداة كما هو موضح في الشكل:
- أدر الآداة بزاوية ١٨٠ درجة لتقليم الجواف:
- أحكم الإمساك بالآداة بكلتا يديك، بحث تتمكن من التحكم في الآداة تمامًا طوال الوقت:
- حافظ على وضع عمل ثابت:
- امسك دائمًا بالآداة جيدًا وبعيدًا عن جسمك:
- تغذية الخيوط ⑱
- اطرق الزر H قليلاً على الأرض (يفضل على أرض صلبة)، وذلك أثناء دوران المحرك:
- سيتم خريز خيطي قطع ويتم قطعهما بالطول الصحيح عن طريق شفرة قطع الخيوط L:
- ! تأكد من أن الغطاء الأحمر G ① قد تم فكّه من شفرة قطع الخيوط قبل استخدام الآداة:
- ! توخ الحذر لكي لا تتعرض للإصابة بفعل شفرة قطع الخيوط L:
- بعد تغذية الخيوط أعد الآداة إلى وضع التشغيل العادي الخاص بها قبل التشغيل:
- قم بتغذية الخيوط بانتظام للحفاظ على دورة قطعة تامة:
- عندما يدور المحرك بدون خميّل ولا يتم قطع الأعشاب، تكون خيوط القطع قد بليت أو تكثرت، وعليك لف البركة أو استبدال نظام البكرة:
- لف البكرة ⑲
- في حالة توقف خيوط القطع عن الخروج من غطاء البكرة K:
- أوقف تشغيل الآداة وافصل القابض:
- ! فك نظام التليم من الآداة واخرج البكرة من غطاء البكرة K:
- احكم لف خيطي القطع والتساوي في طبقات في اتجاه السهم:
- أدخل الخيطين في ثنوب البكرة X وتأكد من تأمينهما جيدًا في موضعهما (ارتك طول خيط كاف):
- اقطع الخيطين عبر فتحات البكرة Y قبل وضع البكرة المرفوفة في غطاء البكرة K:

- ! تأكد من أن البكرة موجودة في موضعها على نحو آمن، وعندئذٍ حرر الخيطين من الثنوب X عن طريق سحبهما بثبات:
- ركب نظام البكرة بالآداة، اقم بتدوير البكرة في اتجاه عقارب الساعة حتى تستقر في موضعها ⑳
- استبدال نظام البكرة ㉑
- ! أوقف تشغيل الآداة وافصل القابض:
- قم ببساطة بفك تركيب نظام بكرة قديم/جديد كما هو موضح في الشكل:
- لا تستخدم سوى نظام البكرة Z ١٣٥٤ - ٢١٠ من SKIL مع هذه الآداة (سيتم استثناء التلف الناتج عن استخدام أنظمة بكرة أخرى من الضمان)
- بعد استبدال نظام البكرة، جرّب تشغيل الآداة لدقيقة واحدة على الأقل بدون خميّل لتأكد من أن الآداة تعمل على نحو جيد:

الصيانة / الخدمة

- لم يتم تصميم هذه الآداة للاستخدام الاحترافي:
- افضل دائمًا القابض عن مصدر الطاقة قبل إجراء التنظيف وأو الصيانة:
- حافظ دائمًا على نظافة القابض والسلك (خاصة فتحات التهوية)
- نظّف الآداة باستخدام قطعة قماش رطبة (لا تستخدم مواد تنظيف أو مزيبيات):
- نظّف شفرة قطع الخيوط L ① وواقي القطع A ② بعد كل استخدام:
- نظف فتحات التهوية L ① بانتظام باستخدام فرشاة أو هواء مضغوط:
- قم بإجراء فحص منظم، حالة رأس القطع ومدى إحكام الصواميل والمسامير والبراغي:
- خفّق بانتظام بحثًا عن مكونات متآكلة أو تالفة وقم بإصلاحها/استبدالها إذا استدعى الأمر:
- التخزين ㉒
- حرّك الآداة في مكان مغلق جاف ومحكم الغلق بعيدًا عن متناول الأطفال:
- قم بتركيب قضبان التخزين M على الحائط على نحو آمن باستخدام ٤ براغي (غير مرفقة) مع ضبطها أفقيًا:
- إذا تعجزت عن تشغيل الآداة على الرغم من الحذر الشديد في إجراءات التصنيع والاختبار، فيجب القيام بالإصلاحات بواسطة مركز خدمة ما بعد البيع لأدوات الطاقة التابع لشركة SKIL:
- قم بإرسال الآداة دون تفكيكها بالإضافة إلى إثبات الشراء إلى البائع أو أقرب محطة خدمة SKIL/العاونين بالإضافة إلى مخطط الخدمة متاح على www.skil.com

اكتشاف المشاكل وإصلاحها

- توضح القائمة التالية أعراض المشاكل والأسباب المحتملة والإجراءات التصحيحية (إذا لم يعمل ذلك على التعرف على المشكلة وإصلاحها، اتصل بالبائع أو محطة الخدمة):
- ! قم بإيقاف تشغيل الآداة وافصل القابض قبل التحقيق في المشكلة:
- ★ تعذر تشغيل الآداة:
- في حالة تعطل مقيس إمداد الطاقة -> استخدم مقيس آخر:
- في حالة تلف سلك التمديد -> استبدل سلك التمديد:
- ★ الآداة تعمل بشكل متقطع
- في حالة تلف السلك الداخلي -> اتصل بالبائع/محطة الخدمة:
- في حالة تلف مفتاح التشغيل/إيقاف التشغيل -> اتصل بالبائع/محطة الخدمة:
- ★ الآداة تهتز بشكل غير معتاد
- الأعشاب طويلة للغاية -> قم بالقطع على مراحل:
- ★ الآداة لا تقوم بالقطع
- الخيط قصير للغاية أو مكسور -> قم بتغذية الخيط يدويًا:
- ★ لا يمكن تغذية الخيط
- البكرة فارغة -> استبدل البكرة:
- الخيط تشابك داخل البكرة -> افحص البكرة، وأعد لفها إذا لزم الأمر:
- ★ لم يتم قطع الخيط بالطول الصحيح -> أزل الغطاء عن شفرة القطع:
- ★ الخيط يستمر في التكسر
- الخيط تشابك داخل البكرة -> افحص البكرة، وأعد لفها إذا لزم الأمر:
- لم تستخدم أداة التقليم على نحو غير صحيح -> قم بالتقليم بالطرف المستدق للخيط فقط، وخافئى الحجارة والجران والأجسام الأخرى الصلبة، وقم بتغذية الخيط بانتظام:

أداة تقليم العشب الخيطية

٠٧٣٠

مقدمة

- هذه الأداة مخصصة لقطع العشب والأعشاب الضارة الموجودة أسفل الشجيرات وعلى الحدائق والحواف التي لا يمكن الوصول إليها باستخدام آلة جَرّ الحشائش؛
- لم يتم تصميم هذه الأداة للاستخدام الاحترافي؛
- تأكد أن المغلف يحتوي على جميع الأجزاء كما هو موضح في الشكل ①
- في حالة تعرض أجزاء لفقد أو التلف، يرجى الاتصال بالبالغ الذي اشتريته منه؛
- اقرأ دليل الإرشادات هذا بعناية قبل الاستخدام، واحتفظ به كمرجع في المستقبل ②
- انتبه بشكل خاص إلى تعليمات وتحذيرات السلامة، فقد يؤدي الإخفاق في الالتزام بهذه التعليمات إلى التعرض لإصابة خطيرة؛

البيانات الفنية ①

مكونات الأداة ②

- A وافي القطع
- B المقيض الإرشادي
- C ماسك السلك
- D جلبة الفل
- E أنبوب متداخل
- F مفتاح التشغيل
- G غطاء شفرة القطع
- H زر لتغذية الخيوط
- J شفرة قطع الخيوط
- K غطاء البكرة
- L فتحات التهوية
- M قضبان التخزين (البراعي غير مرفقة)
- N خطاف التخزين

أمان

تعليمات السلامة الخاصة بأدوات تقليم العشب الخيطية

معلومات عامة

- قم بالتعرف على عناصر التحكم الموجودة في الأداة وكيفية الاستخدام؛
- يُعد الاستخدام المستول على الحوادث أو المخاطر التي قد يتعرض لها أشخاص آخرون أو ممتلكاتهم؛
- لا تُستخدم الأداة إلا في درجة حرارة محيطية تتراوح بين ٠ و ٤٠ درجة مئوية؛
- يُحظر نهائيًا تركيب عناصر قطع معدنية على هذه الأداة؛

أمان الأشخاص

- لم يتم تصميم هذه الأداة للاستخدام بواسطة أفراد (ما فيهم الأطفال) ذوي قدرات بدنية أو حسية أو عقلية منخفضة أو محدودو الخبرة والمعرفة ما لم يتم الإشراف عليهم وتزويدهم بالتعليمات المتعلقة بكيفية استخدام الأداة بواسطة فرد مسئول عن سلامتهم؛
 - تأكد من أن الأطفال لا يعشون بالأداة؛
 - لا تدع الأطفال أو الأشخاص الذين ليسوا على دراية بتعليمات التشغيل يستخدموا الأداة؛
 - ابق أصابعك بعيدة عن شفرة قطع الخيوط المدمجة في وافي القطع؛
 - ابق يدك وقدميك بعيدًا عن خيوط القطع أثناء التقليم، خاصة عند تشغيل الأداة؛
 - قم دائمًا بإرداء وافي العين وسراويل طويلة وأحذية قوية عند تشغيل الأداة؛
 - يُحظر نهائيًا تشغيل الأداة في اتجاه قريب من أشخاص، وأوقف تشغيل الأداة أثناء وجود أشخاص (خاصة الأطفال) أو حيوانات اليفة بالقرب من الأداة؛
 - يُحظر نهائيًا تشغيل الأداة وأنت مرهقًا ومرضى أو وُحِت تأثير الكحوليات أو المواد الخدرة الأخرى؛
- الأمان الكهربائي**
- تأكد دائمًا من أن الفولت المزود هو نفسه المشار إليه على اللوحة الخاصة بالأداة (يمكن كذلك توصيل الأدوات ذات التصنيف ٢٣٠ فولت أو ٢٤٠ فولت بمصدر إمداد ٢٢٠ فولت)؛

- قم بفحص السلك بشكل دوري وإذا تعرض للتلف، استعن بشخص مؤهل لاستبداله؛
- قم بفحص سلك التمديد بشكل دوري واستبدله في حال تلفه (أسلاك التمديد غير الملائمة قد تكون خطيرة)
- لا تستخدم سوى سلك تمديد مخصص للاستخدام في المناطق المفتوحة ومزود بقابس مسلك للماء ومقبس وصل؛
- استخدم أسلاك تمديد مفكوكة تمامًا وأمنة سعة ١٦ أمبير (١٣ أمبير في بريطانيا العظمى)
- عند تشغيل الأداة في بيئات رطبة، استخدم قاطع الدورة (ROD) باستخدام تيار بدء إشعال مقداره ٣٠ مللي أمبير بحد أقصى؛
- لا تطأ بتقدميك فوق سلك (التمديد) أو تدسه أو تسحبه؛
- قم بحماية سلك (التمديد) من الحرارة والزيوت والحواف الحادة؛
- ابق سلك (التمديد) بعيدًا عن خيوط القطع الدوارة؛
- قم دائمًا بإيقاف تشغيل الأداة وفصل القابس من مصدر الطاقة إذا تعرض سلك إمداد الطاقة أو سلك التمديد للقطع أو التلف أو الانحراس (لا تقم بلمس السلك قبل فصل القابس)؛

قبل الاستخدام

- لا تقم باستخدام الأداة إلا في ضوء النهار أو مع توفر إضاءة صناعية مناسبة؛
- خذ ق من وظيفة قبل كل استخدام وبعد تعرّضها لأي اصطدام، وفي حالة وجود عطل، فقم على الفور بإصلاحها على يد أحد المؤهلين (يحظر نهائيًا فتح الأداة بنفسك)؛
- قبل الاستخدام، قم بفحص شامل لمنطقة القطع وبقم بإزالة أي جسم قد تقذفه الأداة أثناء القطع (مثل الأحجار والأجزاء الخشبية المفكوكة وما إلى ذلك)؛

أثناء الاستخدام

- يحظر نهائيًا استخدام الأداة في حالة تلف السلك، بل قم باستبداله من قبل أحد الأفراد المؤهلين
- يُحظر نهائيًا تشغيل الأداة عند تعرّض وافي القطع للتلف أو بدون تركيب وافي القطع؛
- تستمر خيوط القطع في الدوران لمدة قصيرة بعد إيقاف تشغيل الأداة؛
- لا تقطع العشب غير الموجودة على الأرض (مثلًا على الحوائط أو الصخور)؛
- لا ترم بطرق أو مرات مغطاة بالخصب والأداة لا تزال قيد التشغيل؛
- لا تعرض نفسك إلى ما يشتت انتباهك وركز دائمًا على ما تقوم به؛
- احرص دائمًا على فصل القابس من مصدر الطاقة:
 - متى قيمت بترك الأداة بدون مراقبة؛
 - قبل تنظيف المواد العالقة؛
 - قبل فحص الأداة أو تنظيفها أو تشغيلها؛
 - بعد رؤية جسم غريب؛
 - متى بدأت الأداة في الاهتزاز بشكل غير معتاد؛
- تأكد دائمًا من الحفاظ على نظافة فتحات التهوية من المخلفات؛

بعد الاستخدام

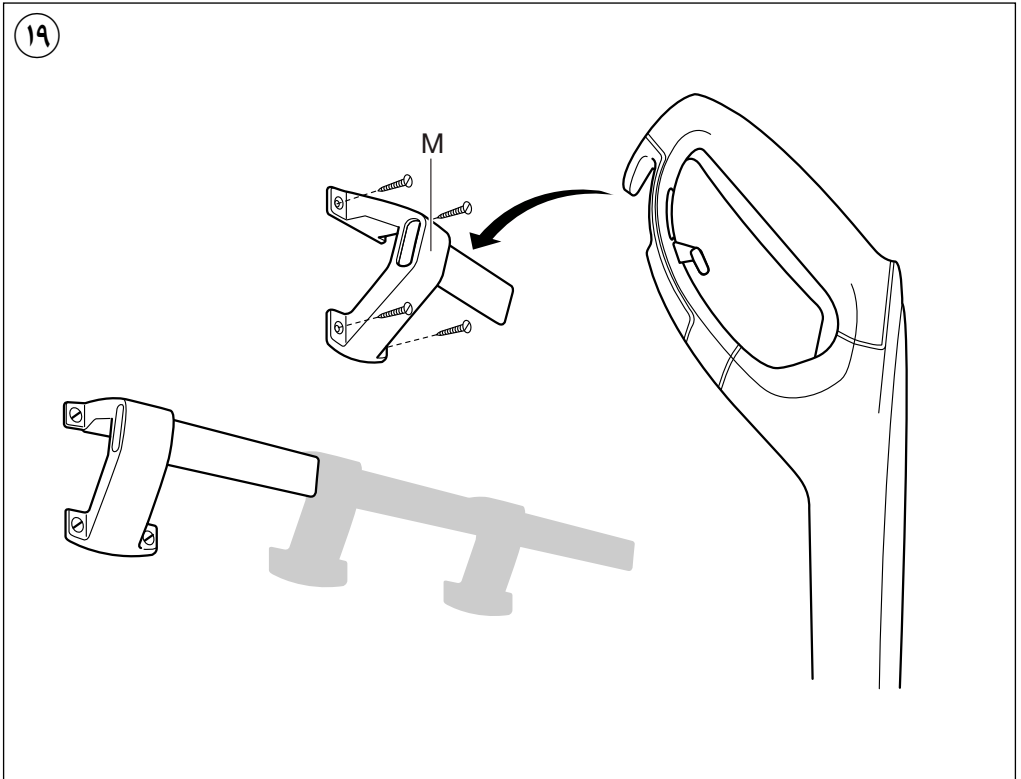
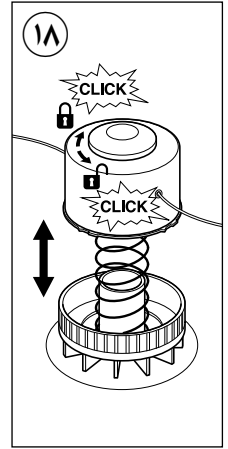
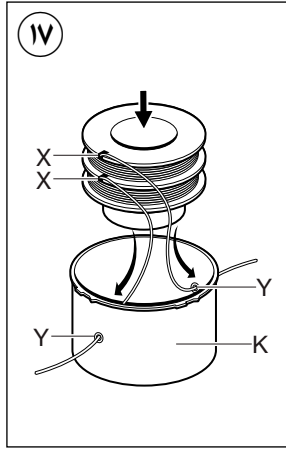
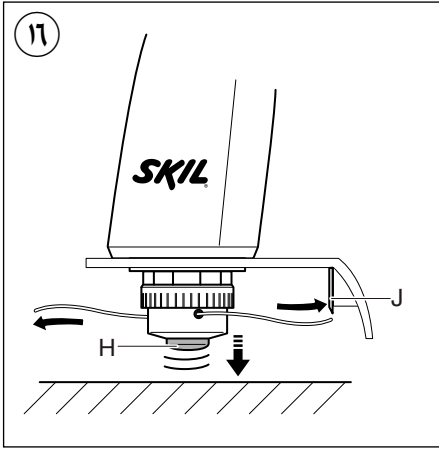
- قم دائمًا بإيقاف تشغيل الأداة وافصل القابس عن مصدر الطاقة الرئيسي قبل الضغط أو تغيير البكر أو التنظيف أو ترك الأداة بدون مراقبة لأي فترة زمنية؛
- خزّن الأداة في مكان داخلي جاف ومحكم الغلق بعيدًا عن متناول الأطفال؛

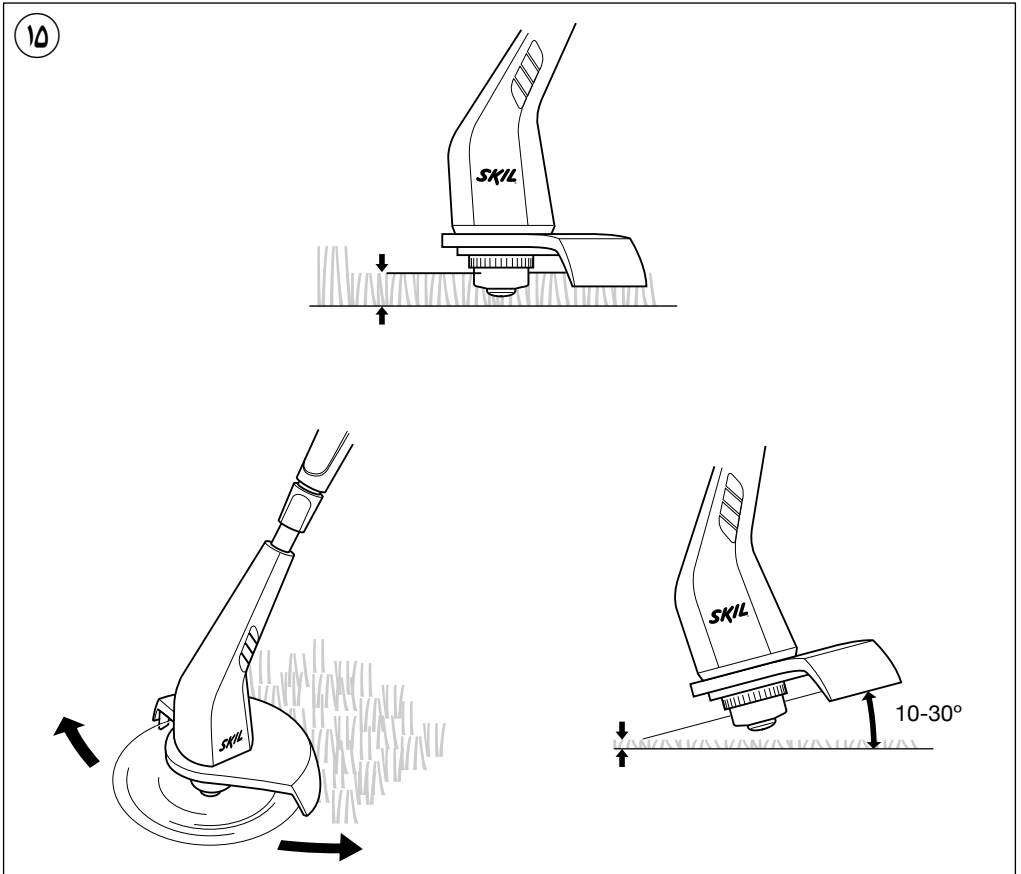
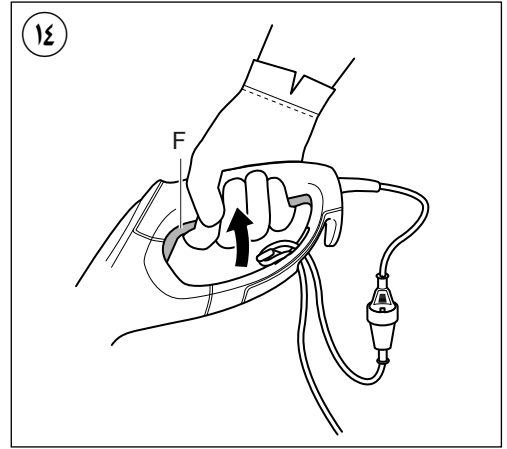
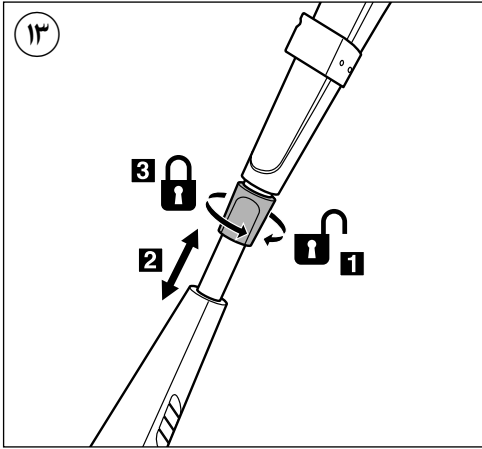
شرح الرموز الموجودة على الأداة

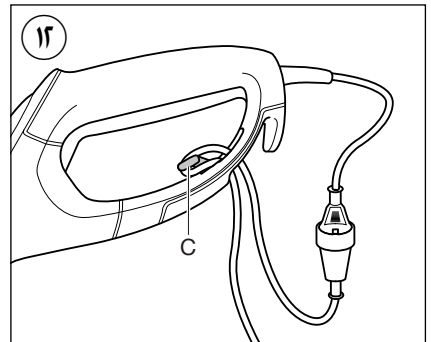
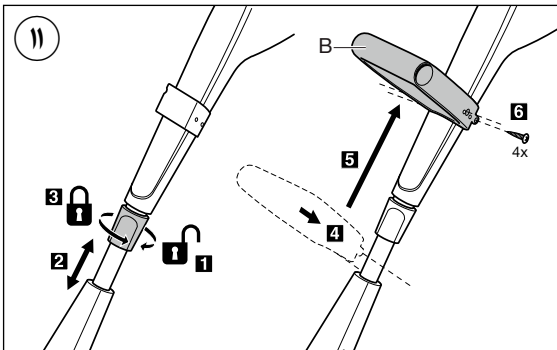
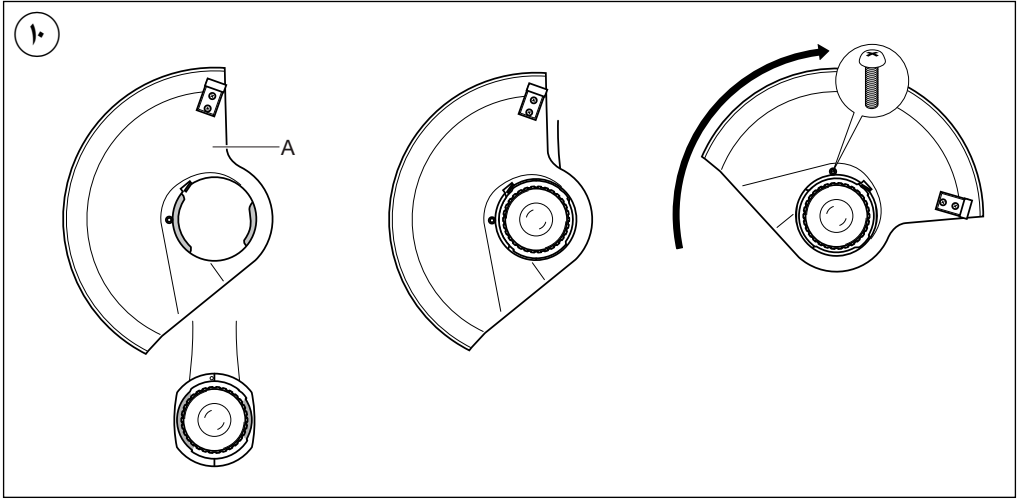
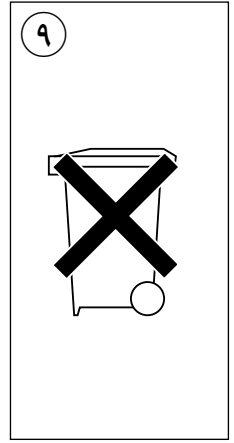
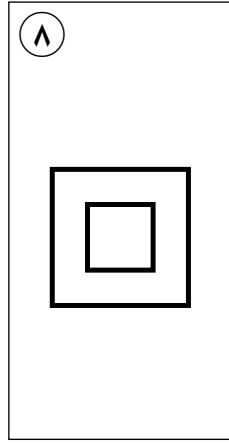
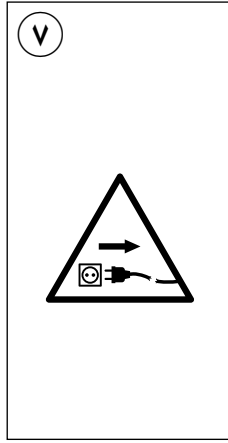
- ③ خذنيروا اقرأ دليل التعليمات؛
- ④ لا تعرض الأداة للما؛
- ⑤ قم بإرداء نظارات واقية؛
- ① انتبه إلى خطورة التعرض للإصابة بسبب المخلفات الطائرة (حافظ على المارة بعيدًا عن منطقة العمل مسافة آمنة)؛
- ⑥ قم على الفور بفصل القابس في حالة تلف سلك (التمديد) أو تعرضه للقطع أثناء العمل؛
- ⑧ العزل المزود (لا يلزم سلك أرضي)؛

الاستخدام

- وافي القطع ⑨
 - ركب وافي القطع A باستخدام البرغي مستدير الرأس المرفق كما هو موضح في الشكل؛
 - ! يُحظر نهائيًا استخدام A بدون وافي القطع؛
 - تركيب ضبط المقيض الإرشادي ⑩
 - ركب المقيض الإرشادي B باستخدام الأربعة براغي المرفقة كما هو موضح في الشكل؛
 - ! أحكم ربط كل البراعي الأربعة بثبات؛







1 0730

250
Watt

n_0
12000
/min

2,6 kg
EPTA 01/2003

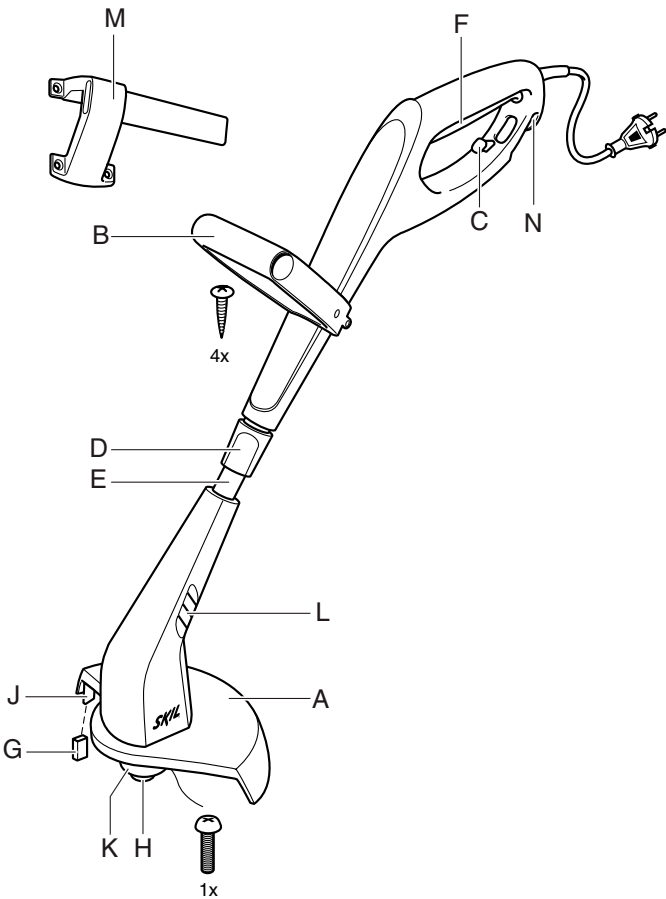
25 cm

5 m

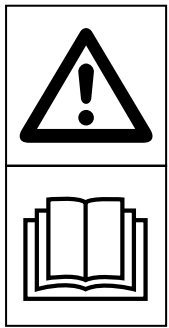
1,2 mm

230
-
240
V~
50-60 Hz

2



3



4



5



أداة تقليم العشب الخيطية

0730

SKIL[®]



دليل الاستعمال

AR

راهنماي اصلي

FA



2610Z05346

12/13

سكيل أوروبا ب.د.ق. - كونينانبرج 60
4825 ب.د. بريدا - هولندا



Сертификат о соответствии

KZ.7500052.22.01.00075

Срок действия сертификата о соответствии

по 09.07.2018

ТОО «Центр Сертификации продукции и услуг»

г. Алматы, ул Кабанбай батыра,

уг. Калдаякова 51/78

ДАТА ПРОИЗВОДСТВА